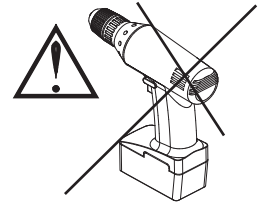
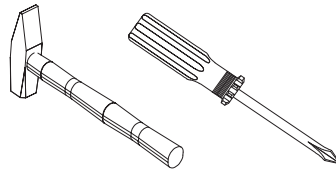
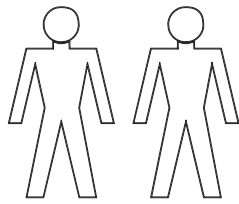
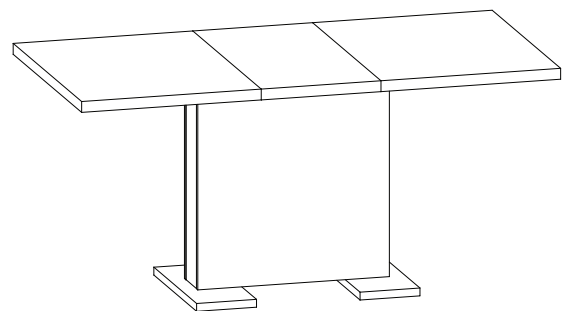
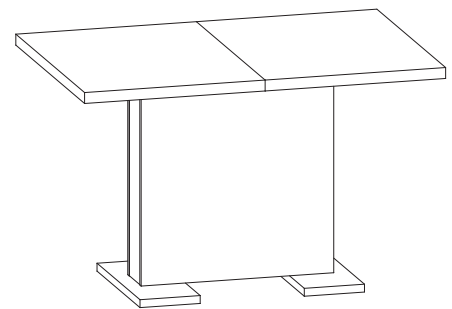
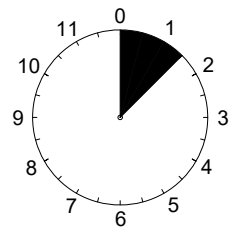
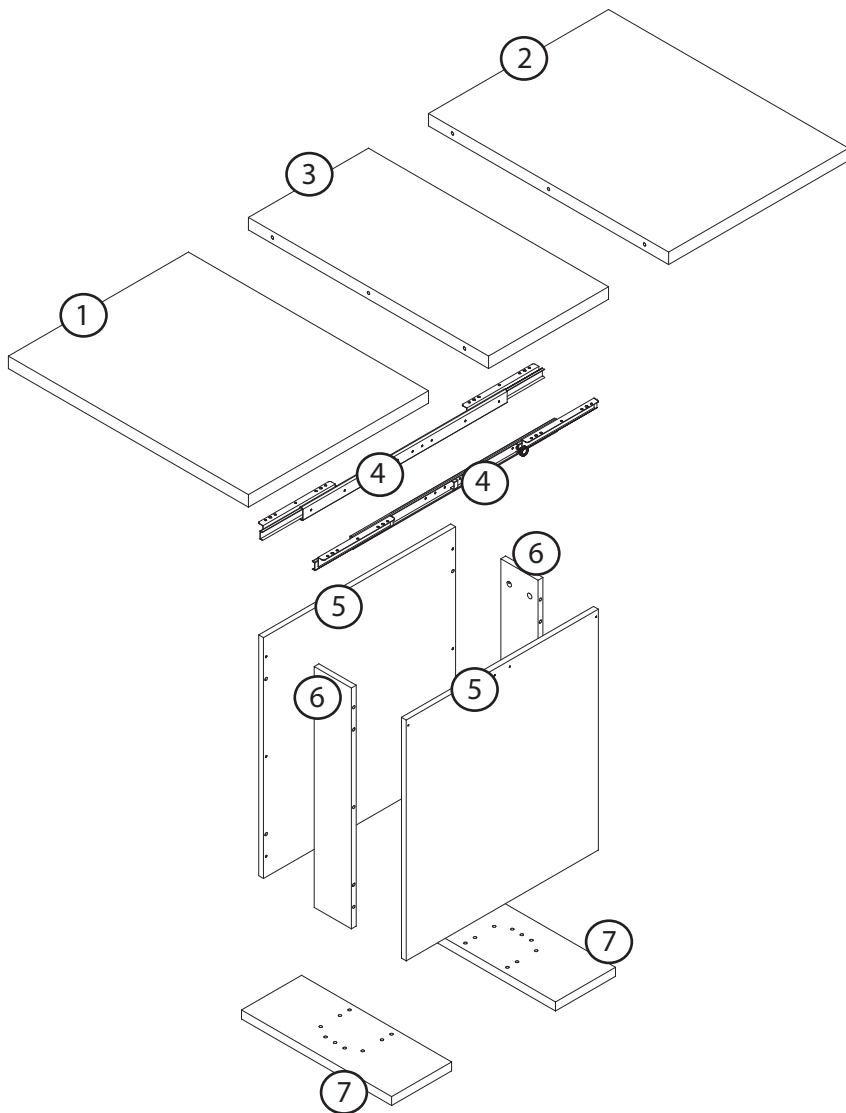


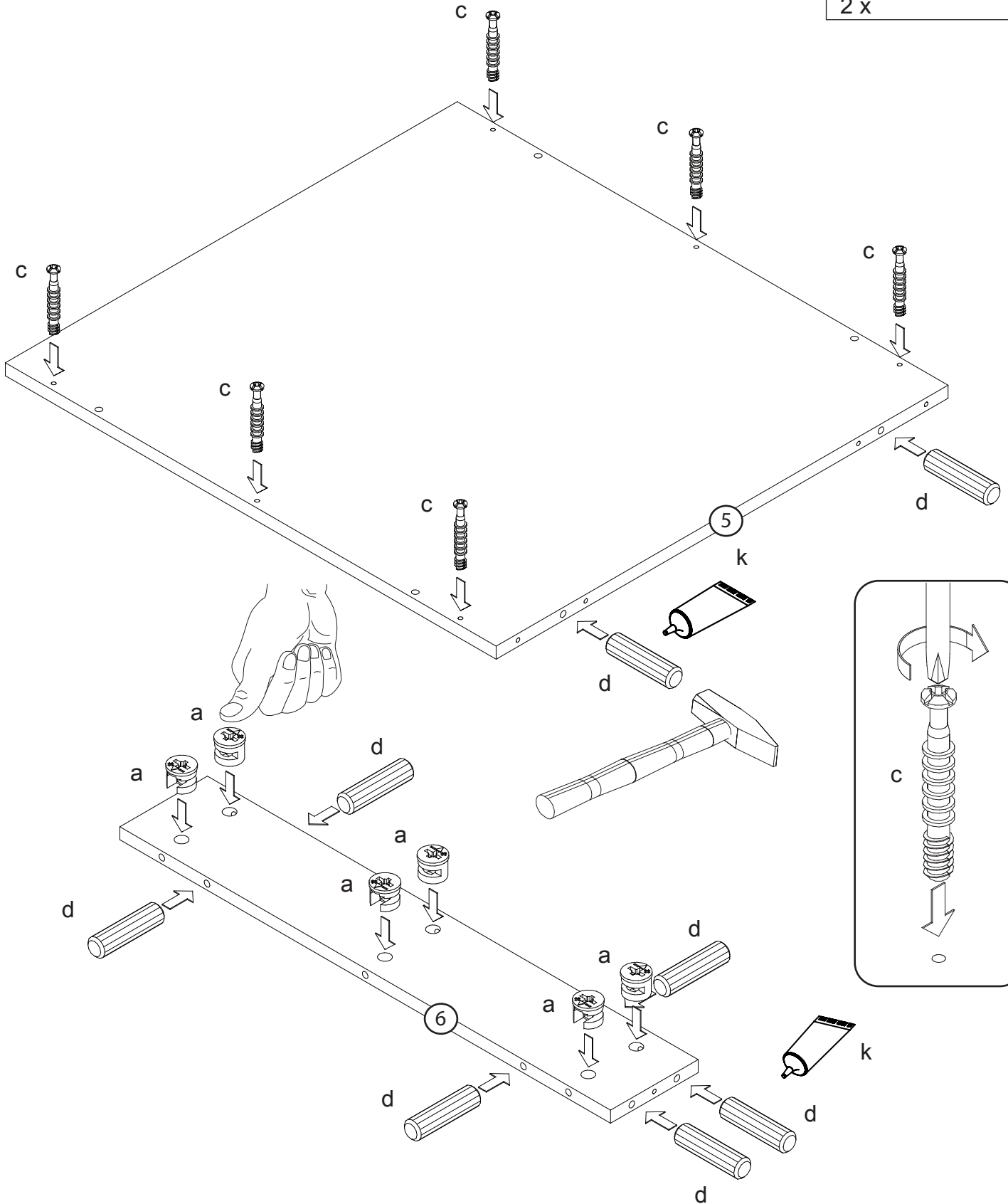
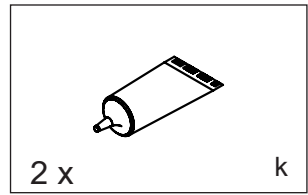
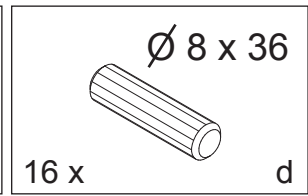
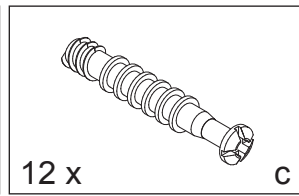
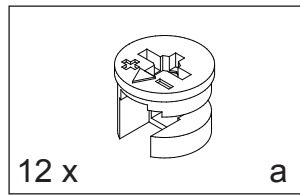
016/246 - 016/510



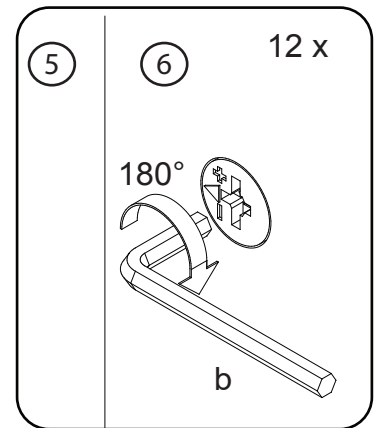
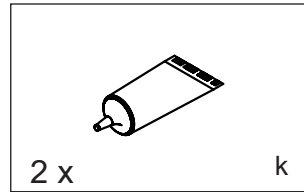
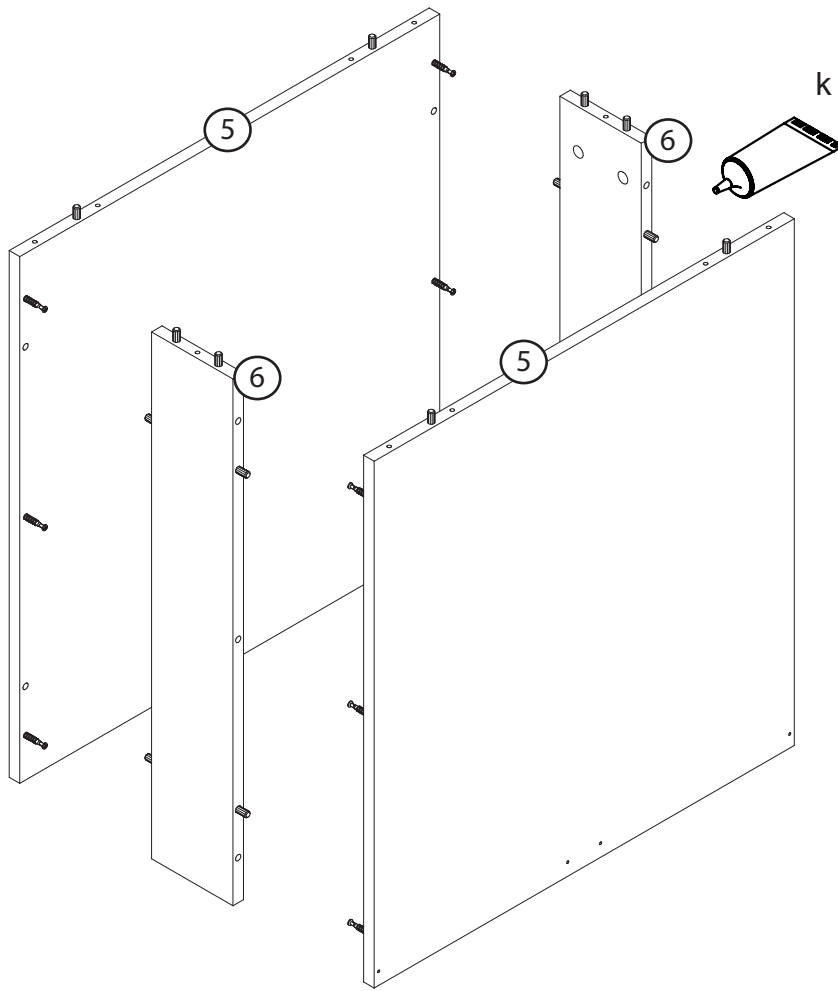
 12 x a	 1 x b	 12 x c	 16 x d	 10 x e	 12 x f
X.....	X.....	X.....	X.....	X.....	X.....
 6 x g	 6 x h	 12 x i	 16 x j	 2 x k	
X.....	X.....	X.....	X.....	X.....	



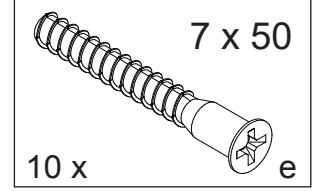
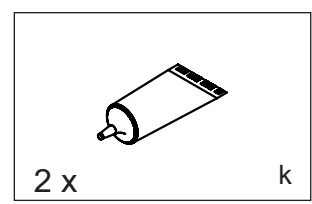
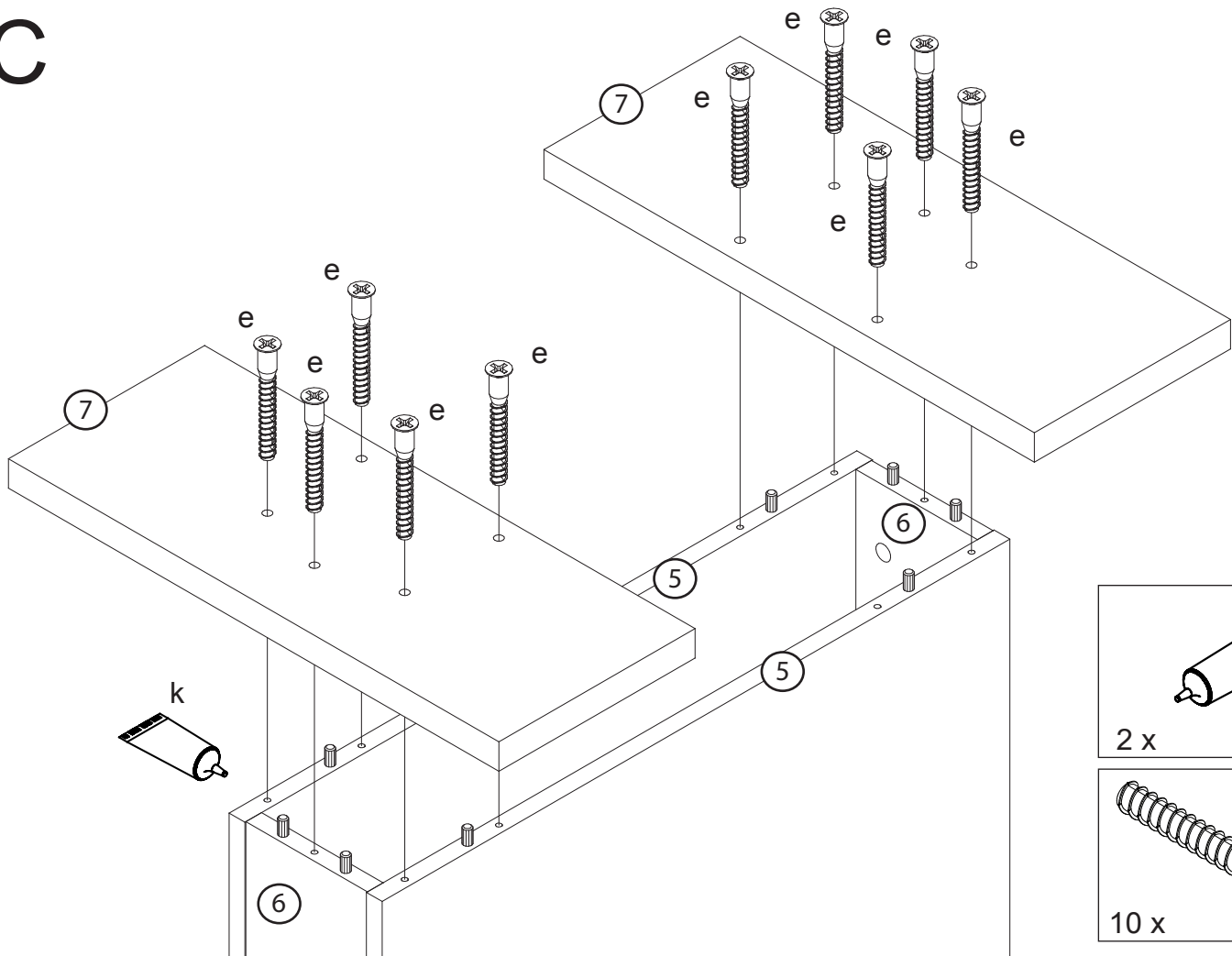
A 2 x



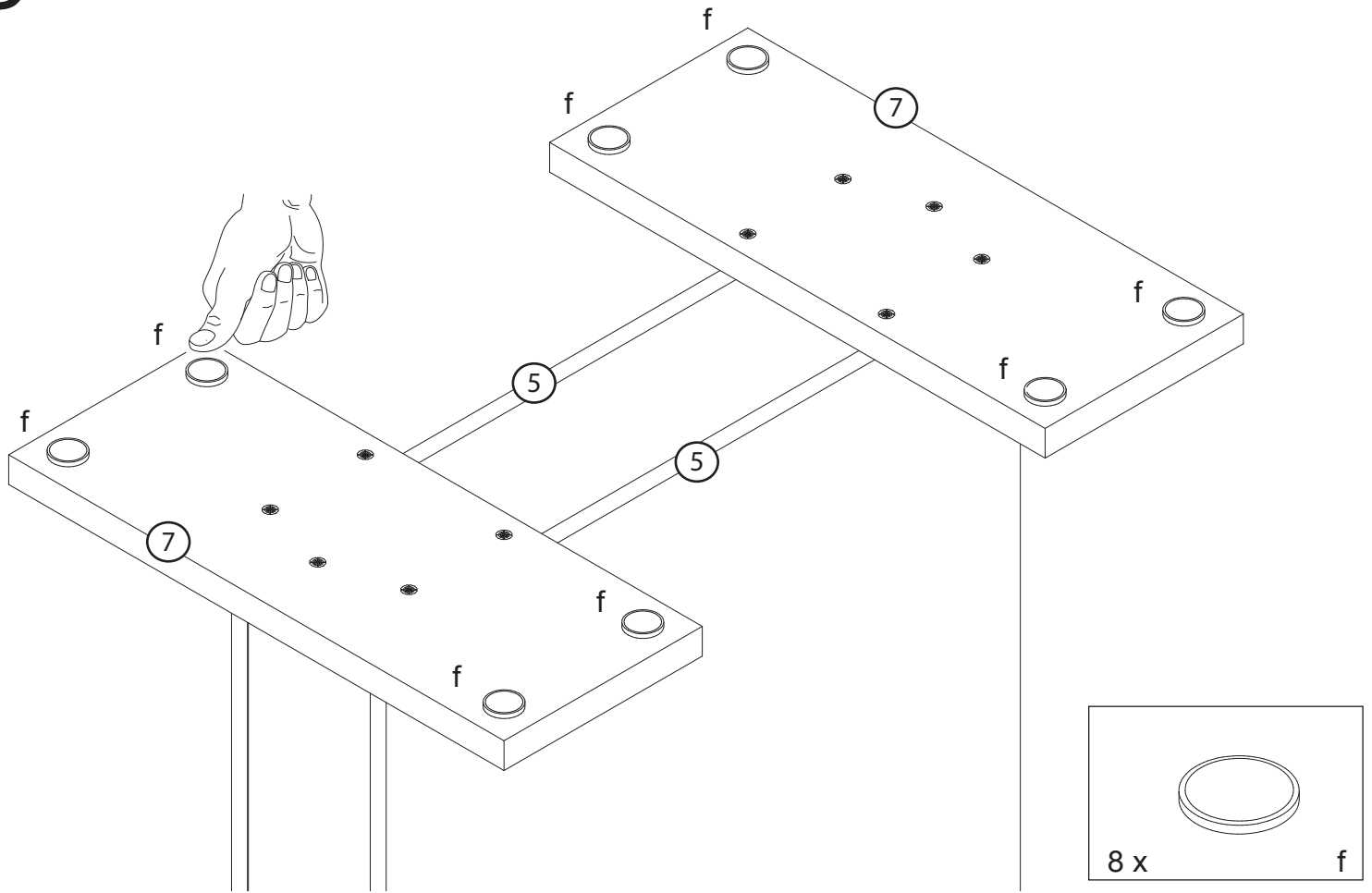
B



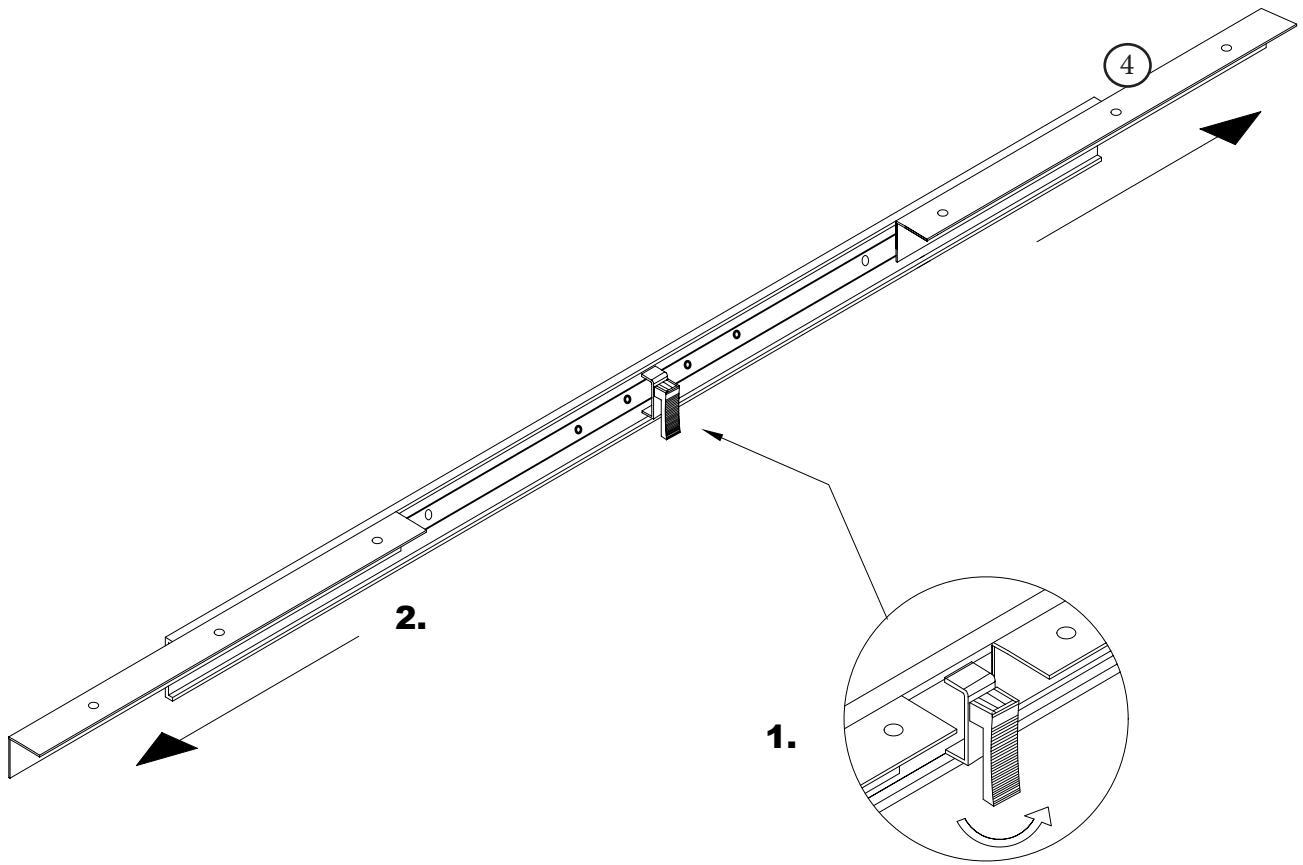
C



D

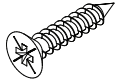


E



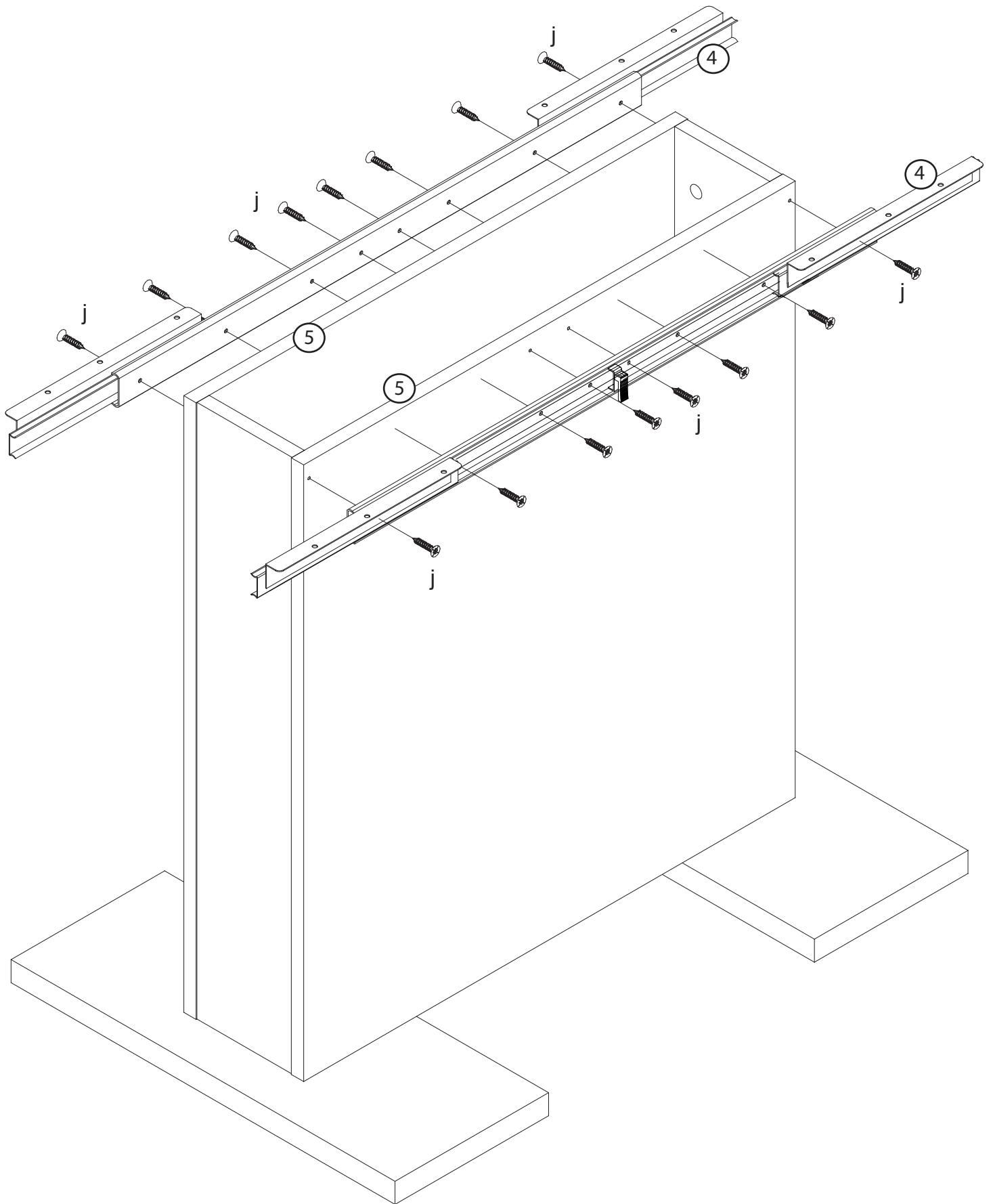
F

4,0 x 16

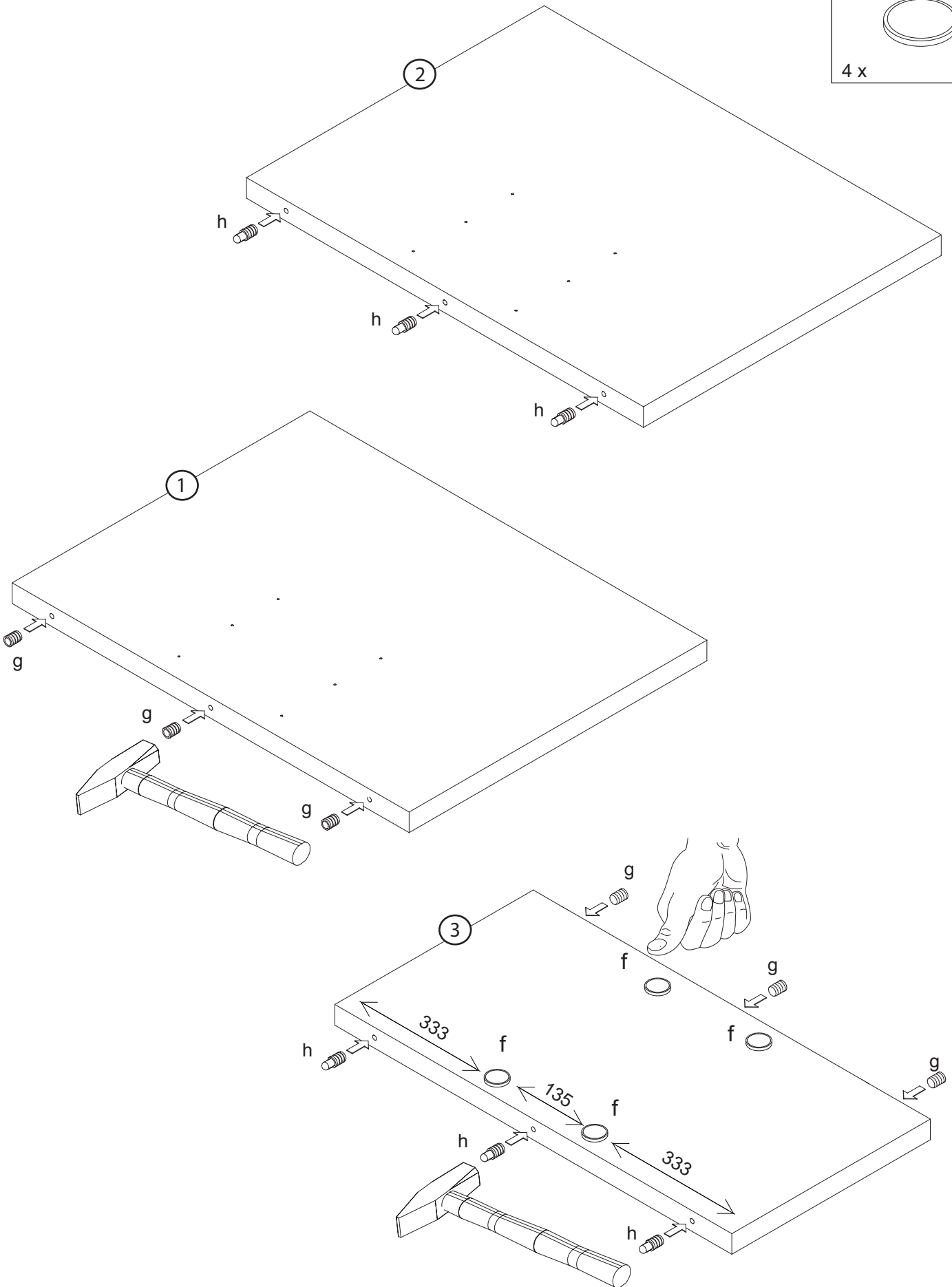
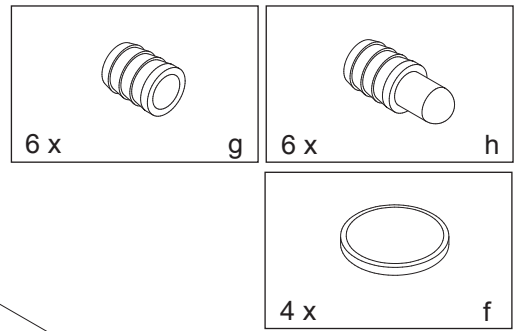


16 x

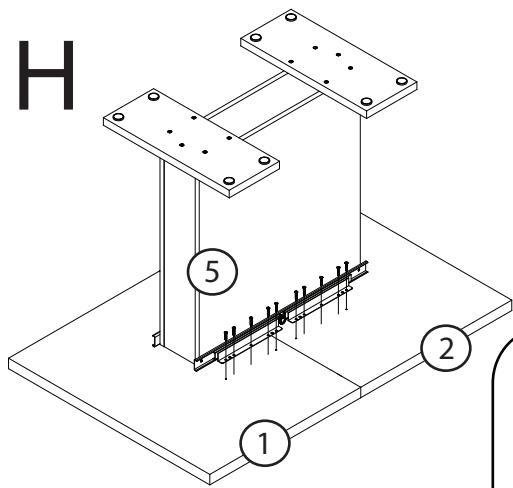
j



G



H

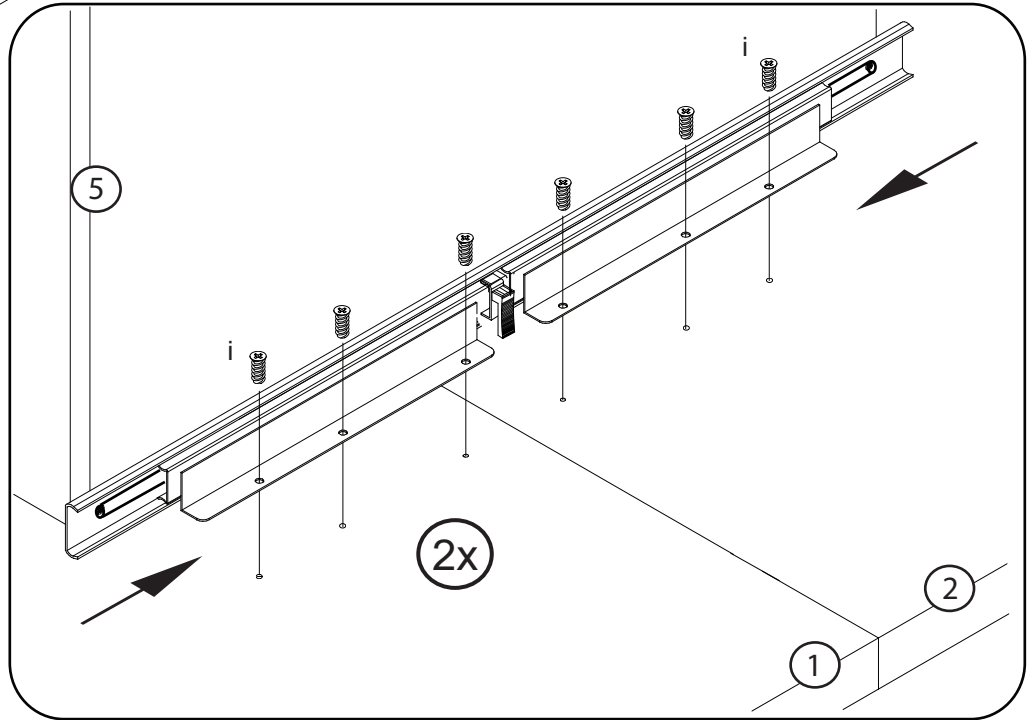


6,3 x 13



12 x

i



i

