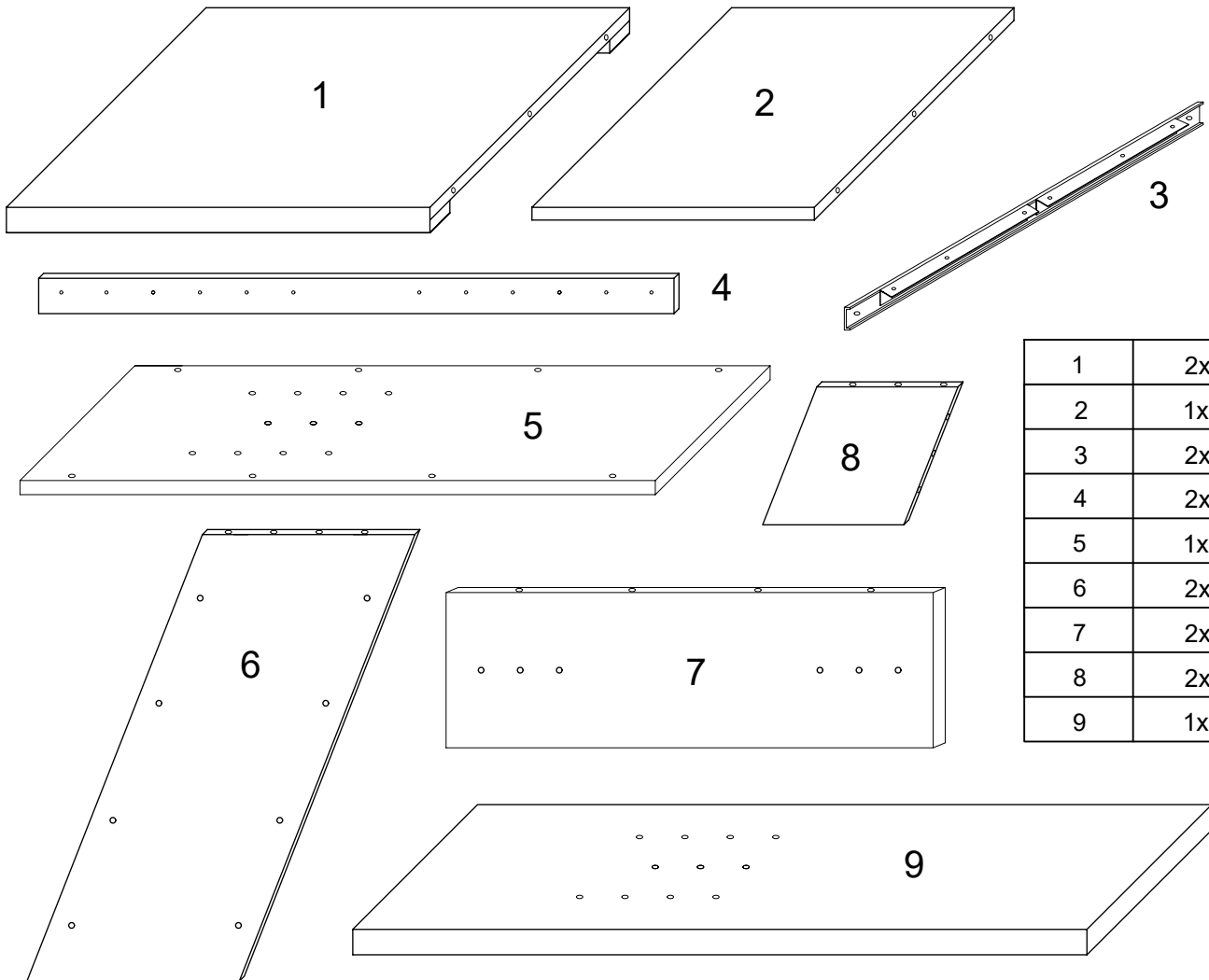
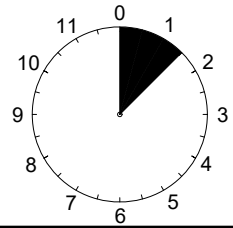
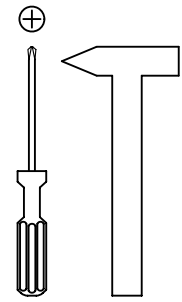
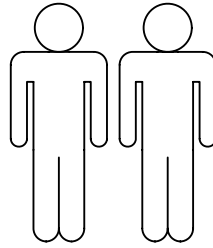
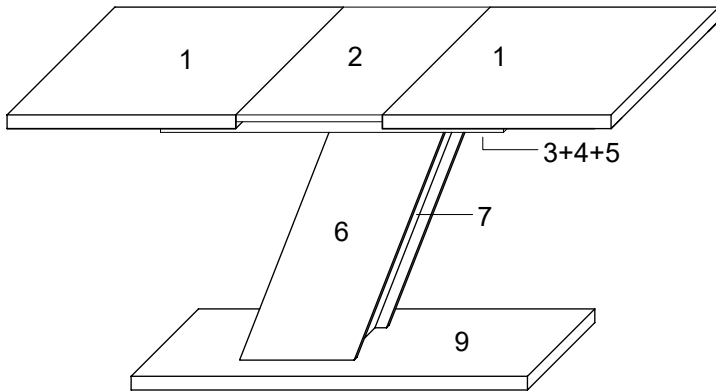


# ZITA

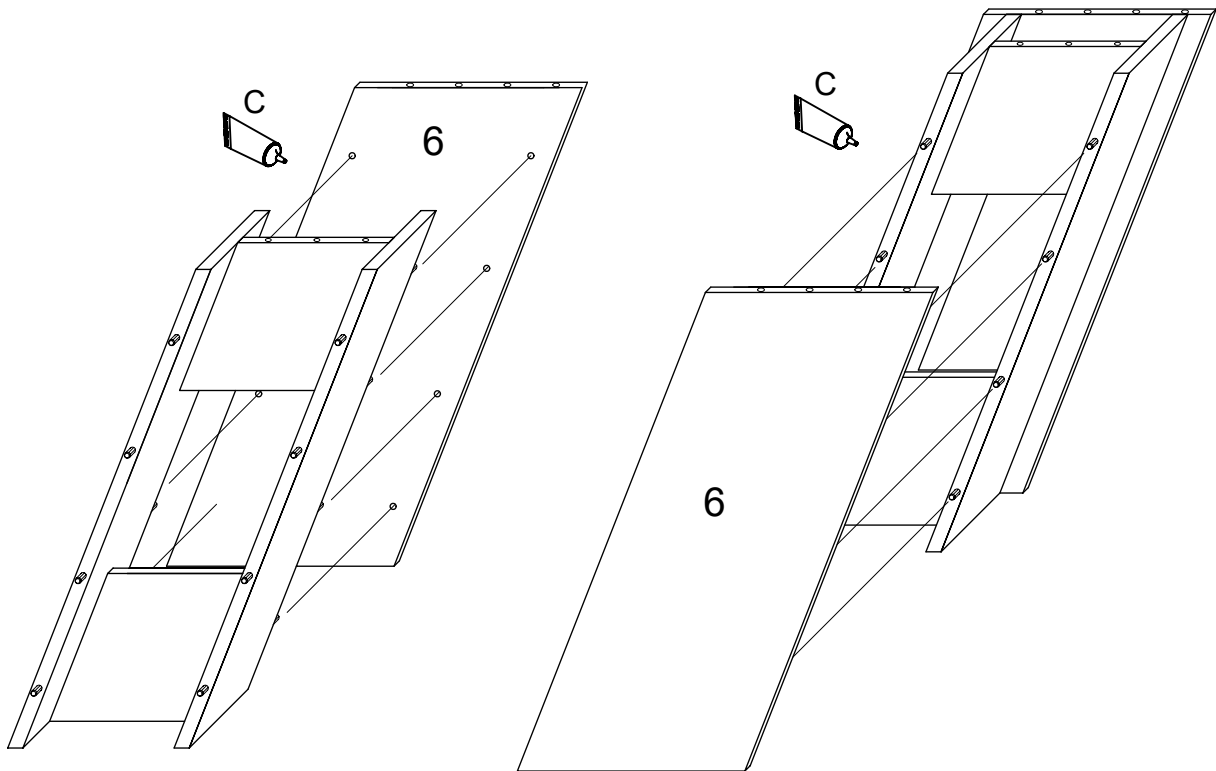
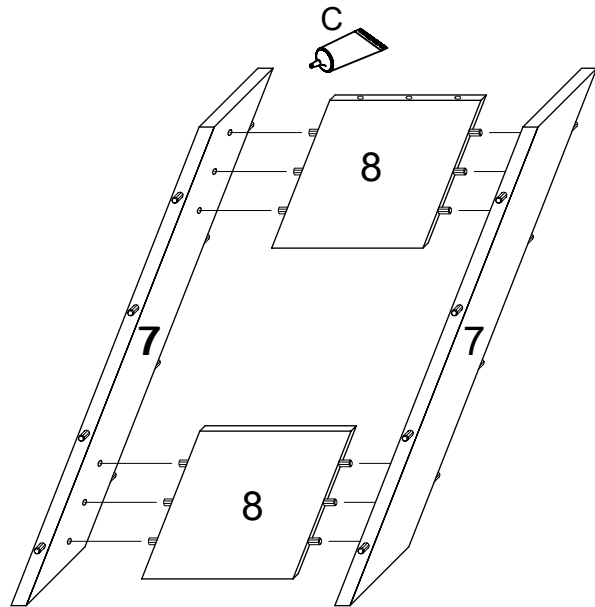
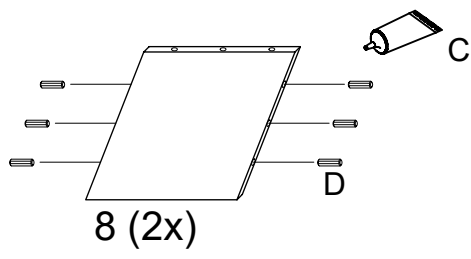
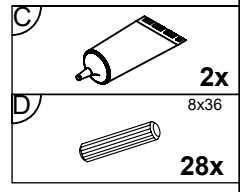
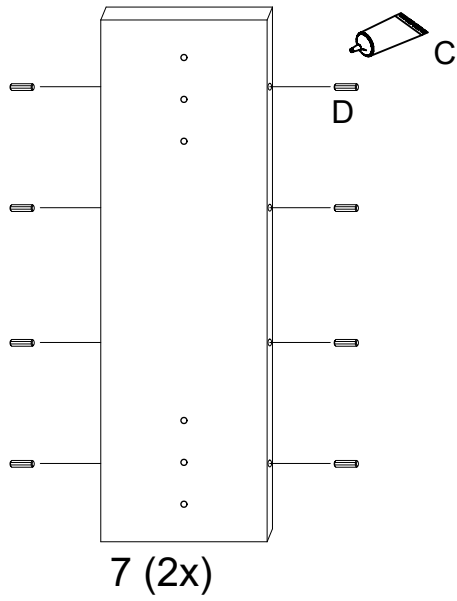


|   |    |
|---|----|
| 1 | 2x |
| 2 | 1x |
| 3 | 2x |
| 4 | 2x |
| 5 | 1x |
| 6 | 2x |
| 7 | 2x |
| 8 | 2x |
| 9 | 1x |

|   |     |   |    |   |               |   |             |   |             |   |             |
|---|-----|---|----|---|---------------|---|-------------|---|-------------|---|-------------|
| A | 10x | B | 1x | C | 2x            | D | 8x36<br>28x | E | 7x50<br>19x | F | 7x70<br>11x |
| G | 6x  | H | 6x | I | 6,3x13<br>12x | J | 4x16<br>16x |   |             |   |             |

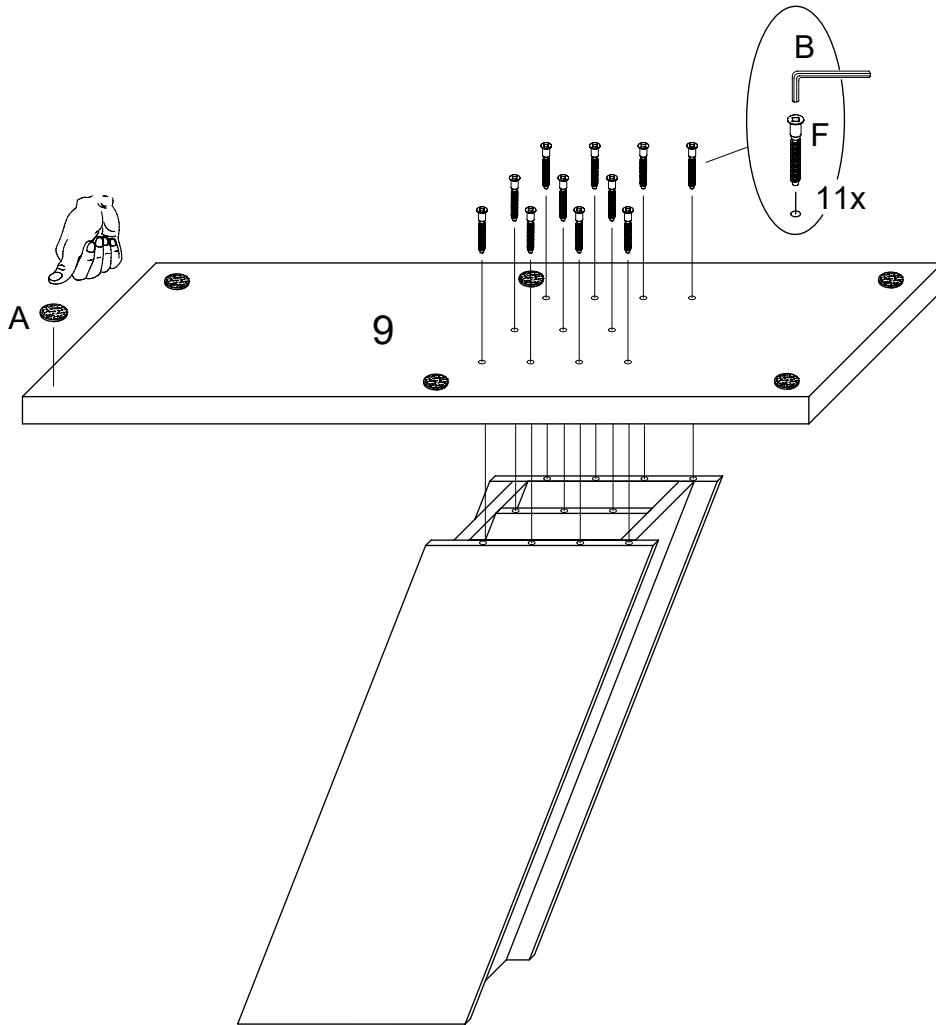
I.

1.



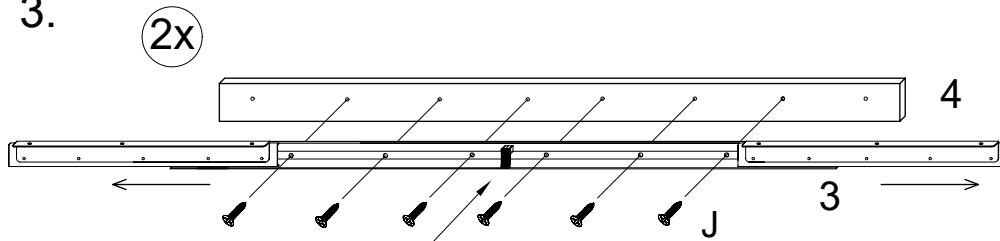
II.

2.

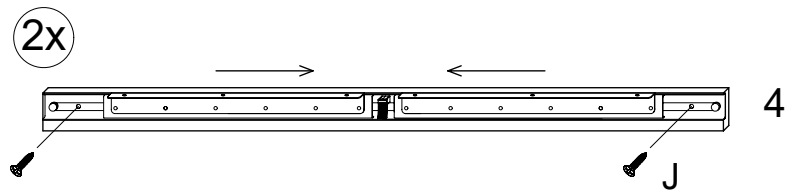
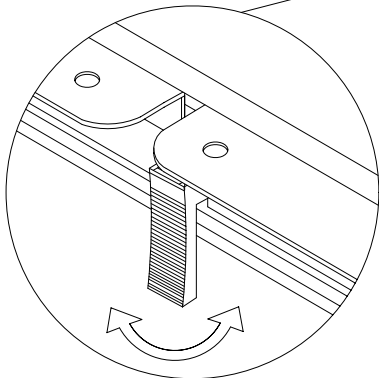


|   |  |     |
|---|--|-----|
| A |  | 6x  |
| B |  | 1x  |
| F |  | 11x |

3.

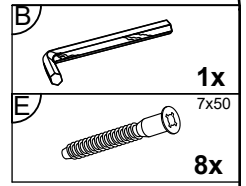
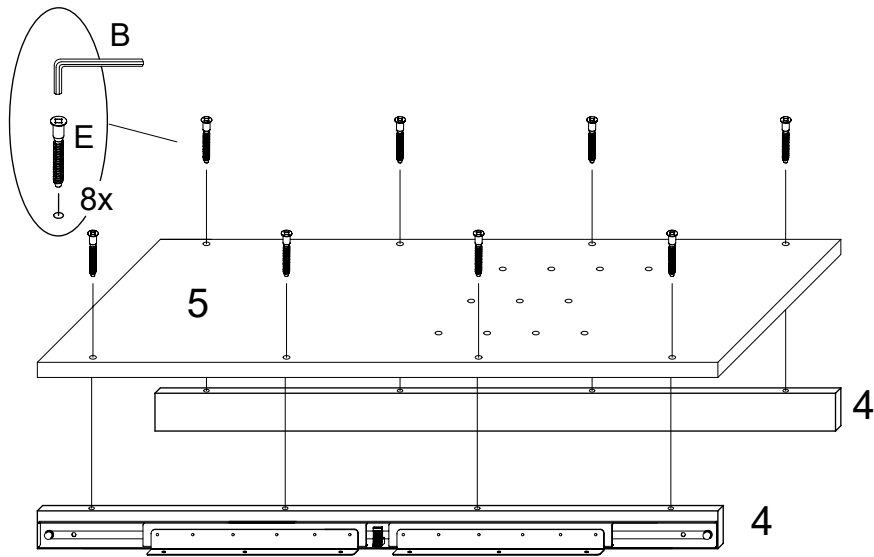


|   |  |     |
|---|--|-----|
| J |  | 16x |
|---|--|-----|

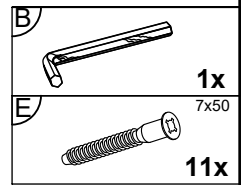
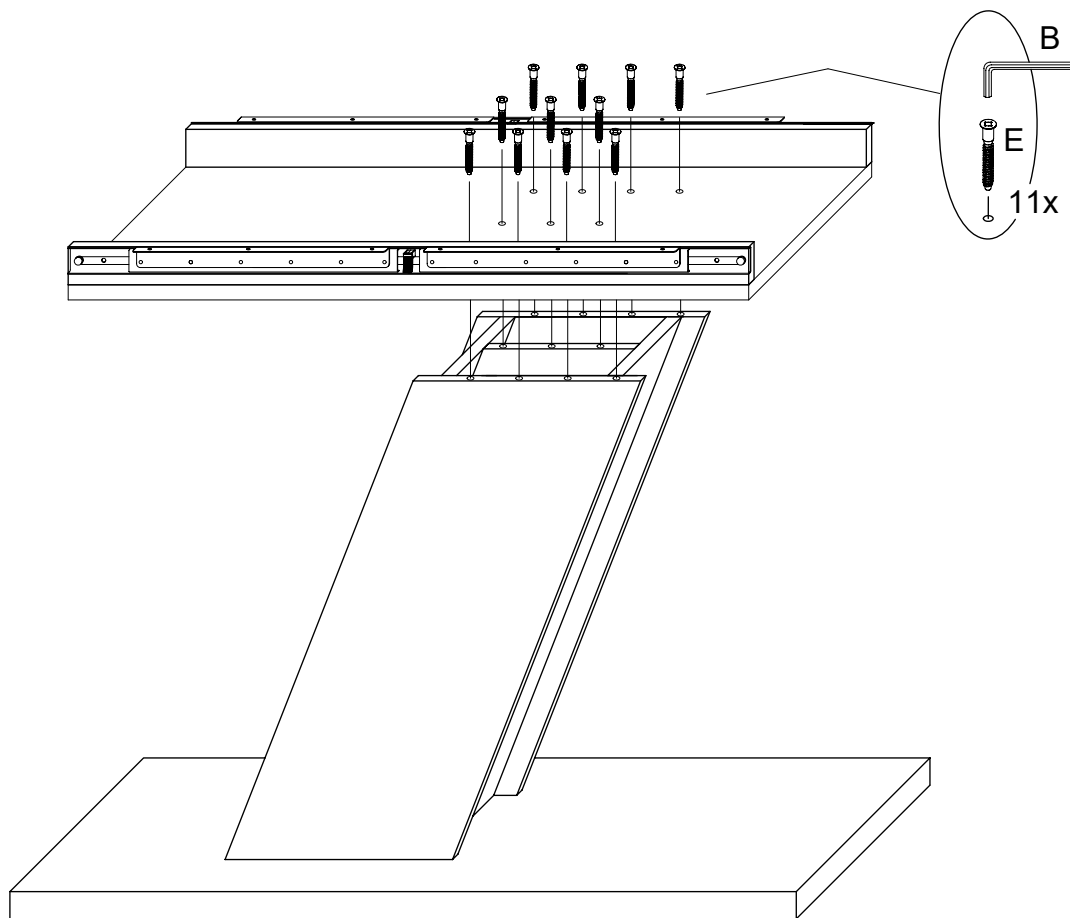


III.

4.

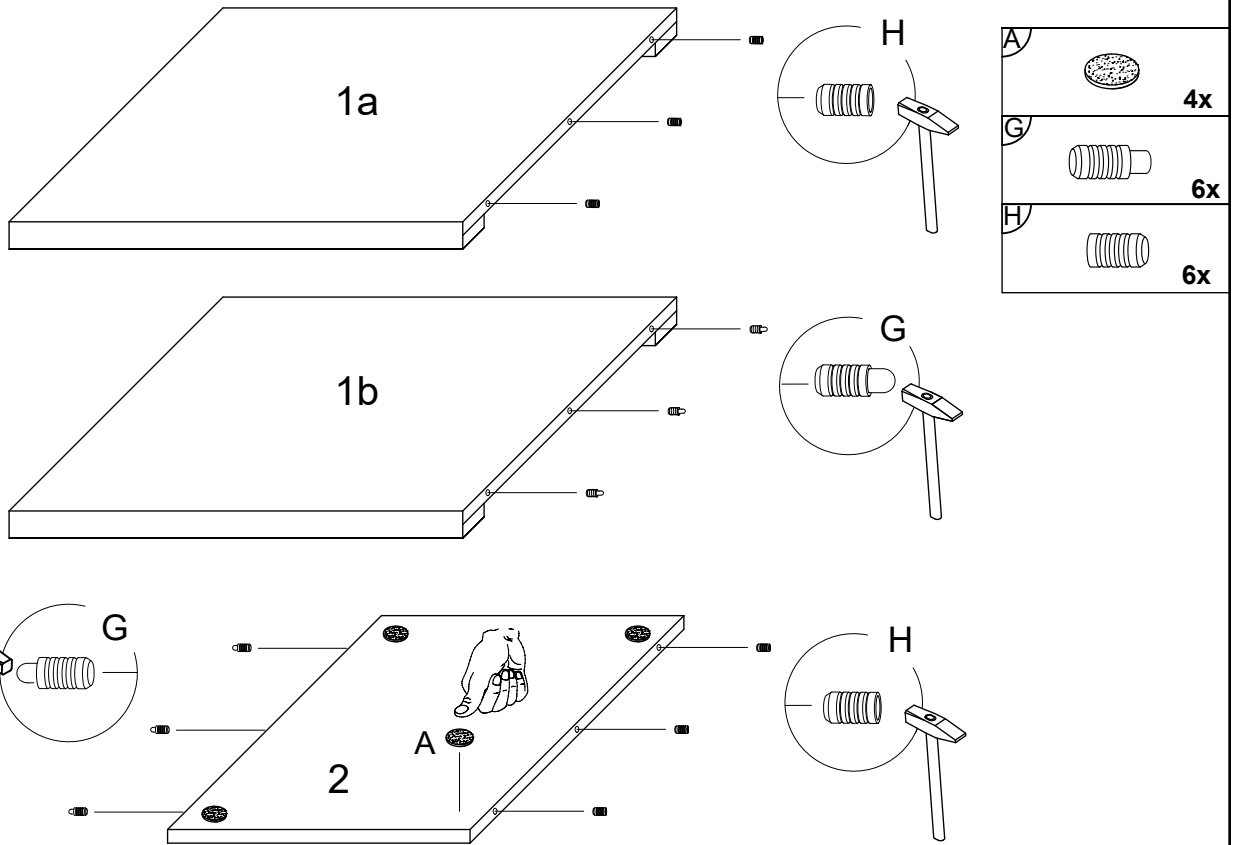


5.

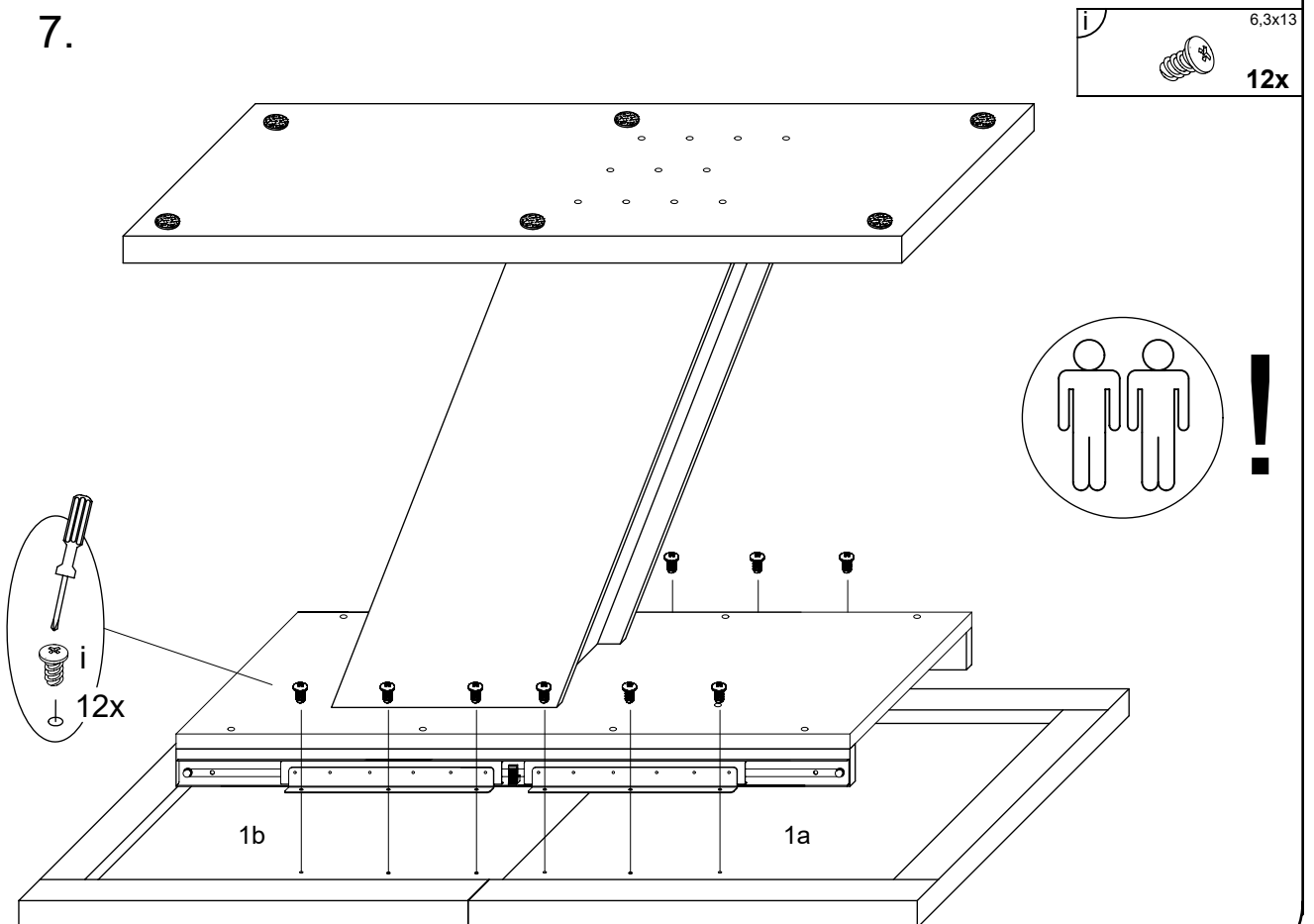


# IV.

6.



7.



V.

8.

