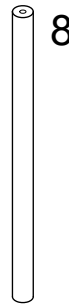
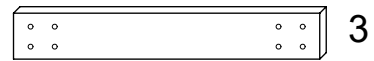
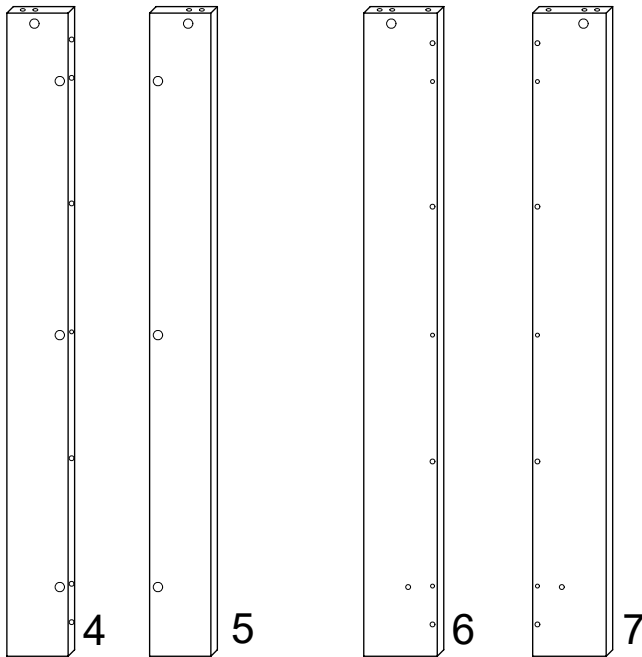
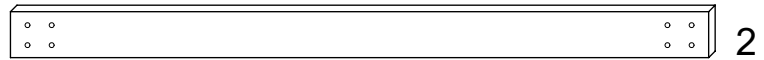
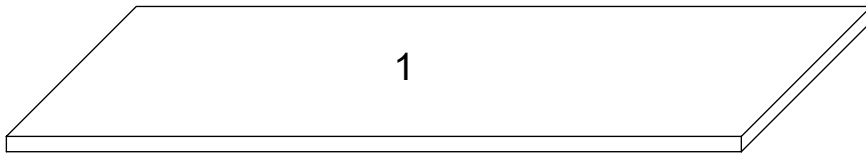
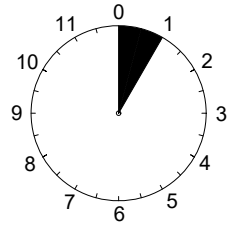
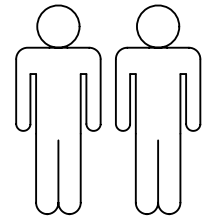
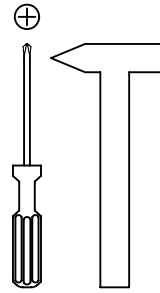
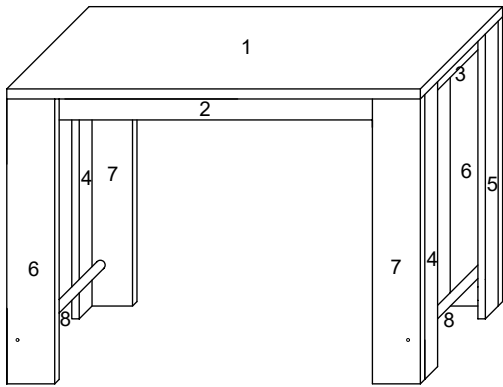


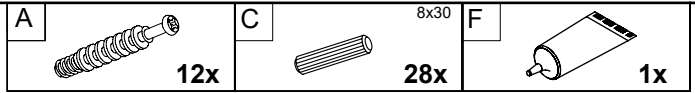
082/520 "Frieda II"



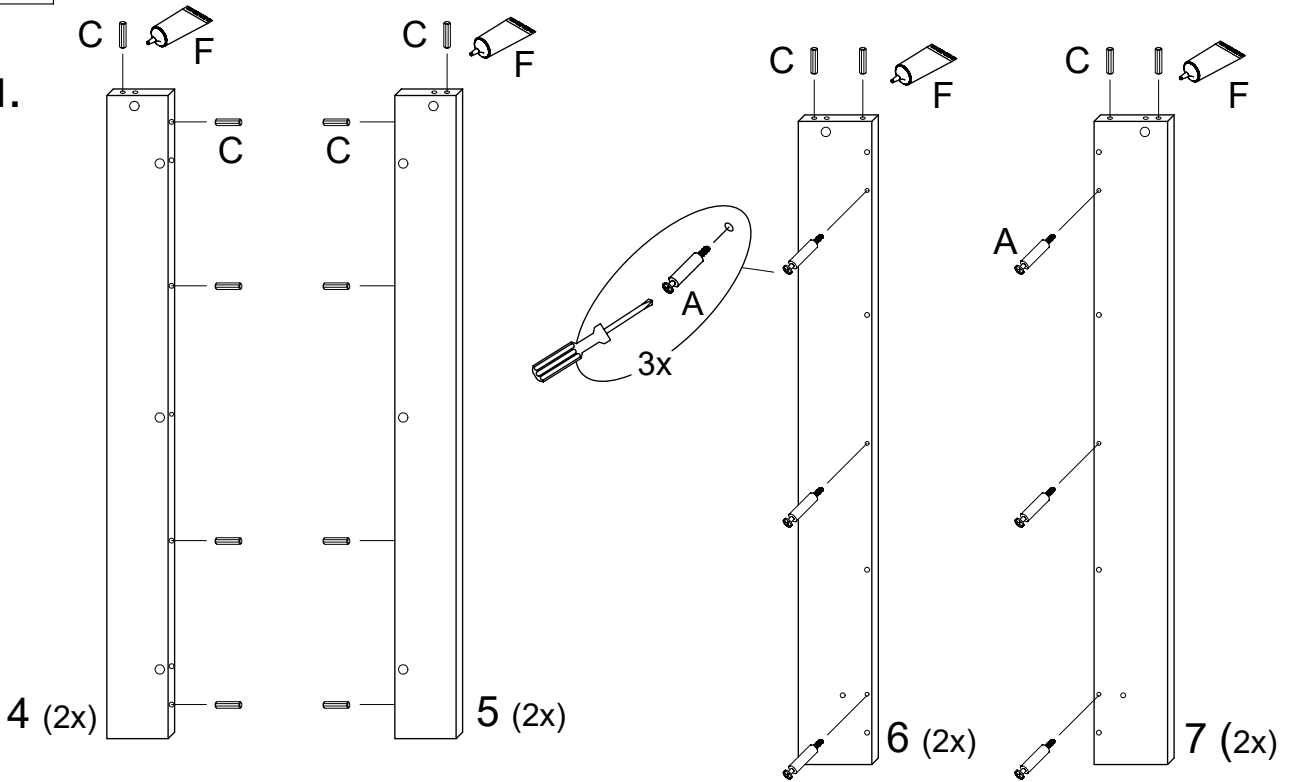
1	1 x
2	2 x
3	2 x
4	2 x
5	2 x
6	2 x
7	2 x
8	2 x

A	20x	B	20x	C	8x30	D	4x35	E	4x20	F	2x
G	D=16mm	H	12x	J	L=45 mm	K	SW 4	L	2x		

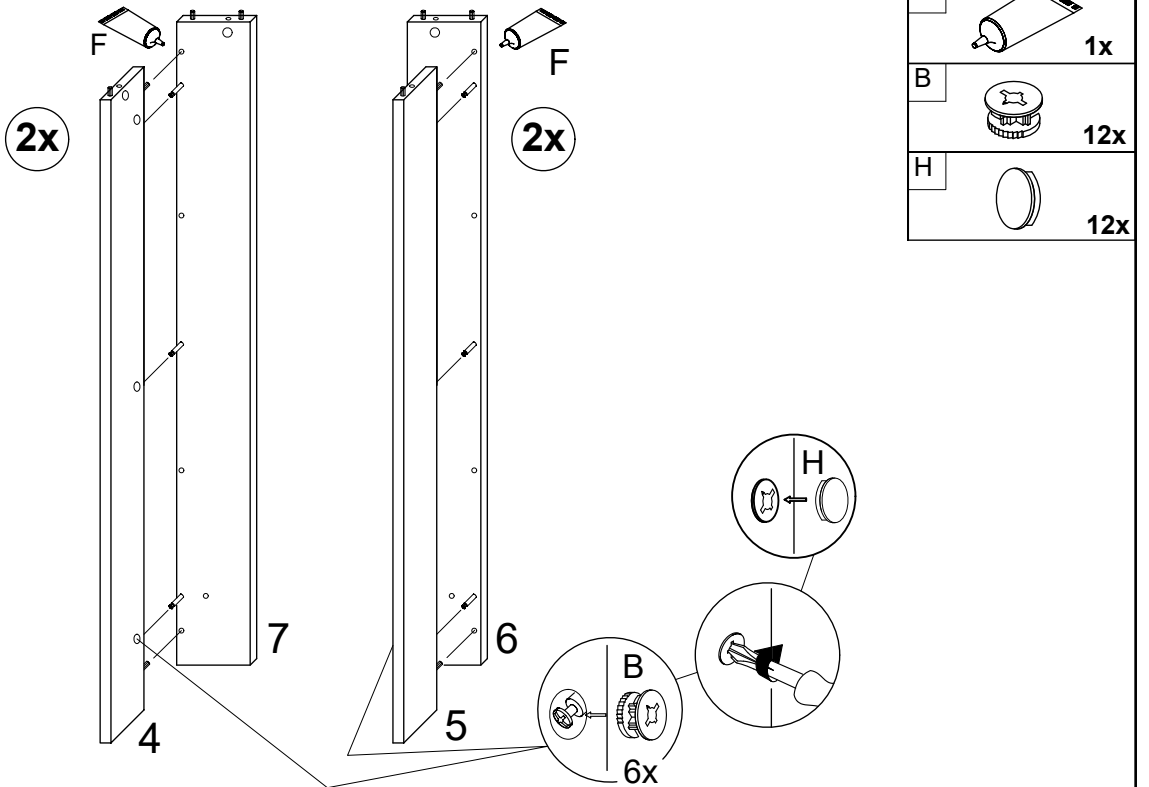
I.



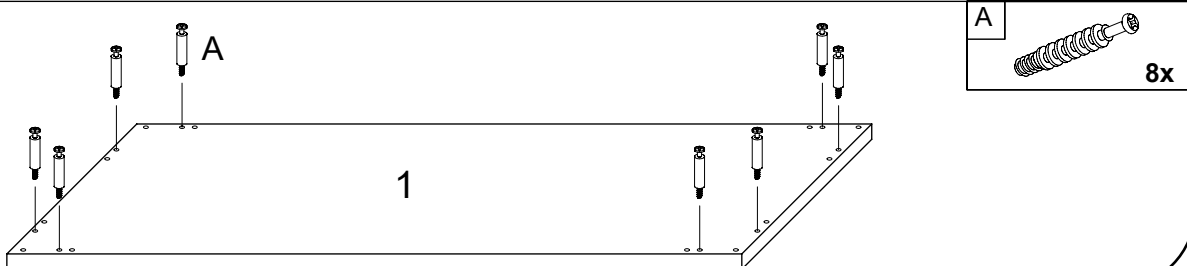
1.



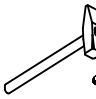
2.

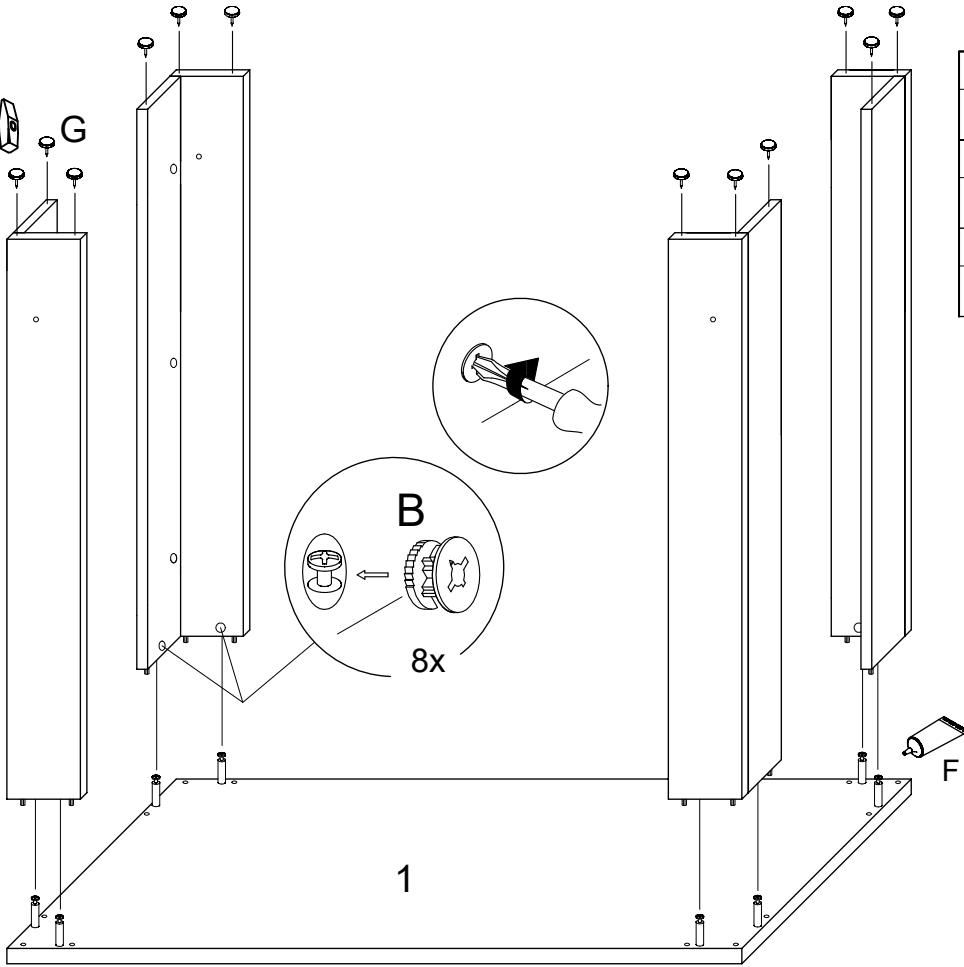




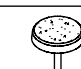
3.



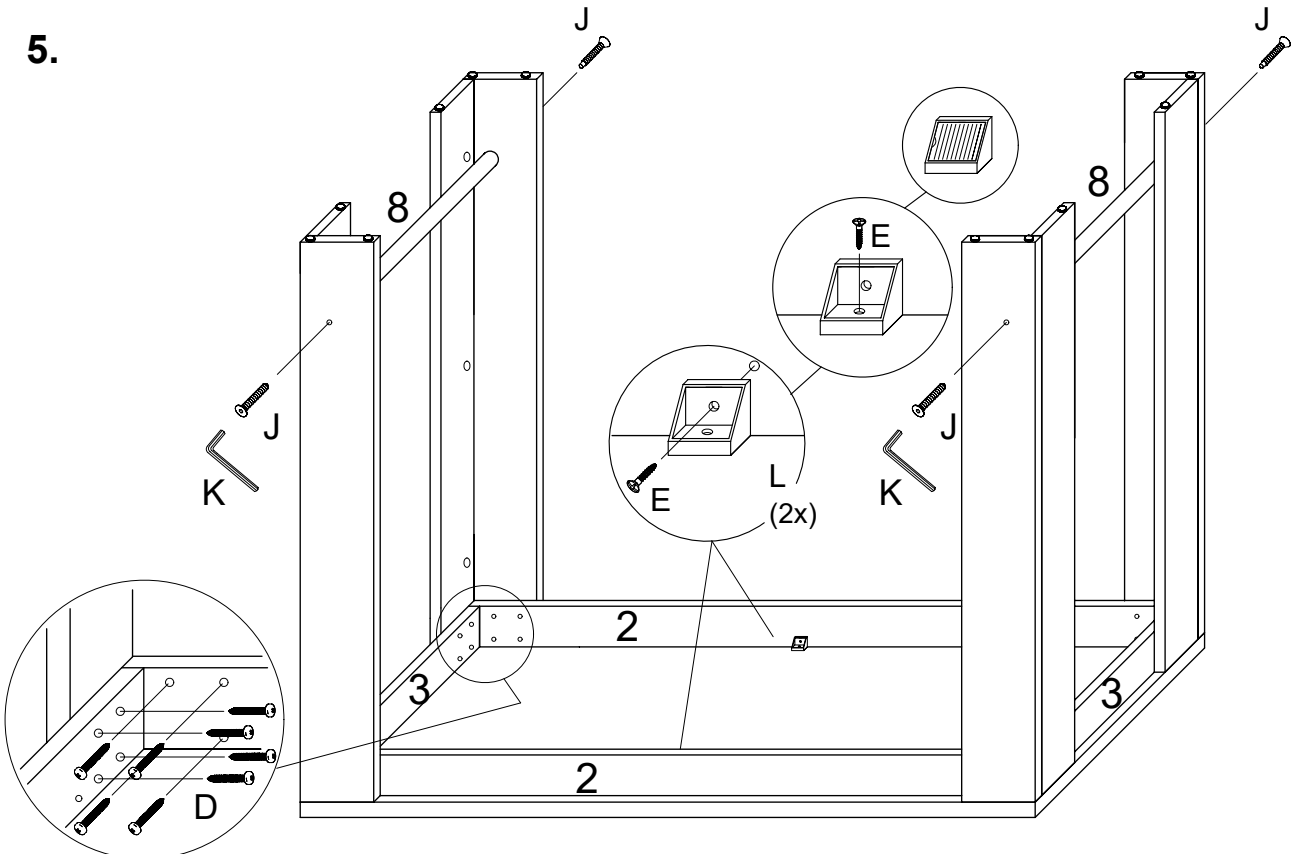
II.

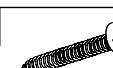
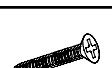
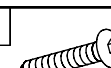
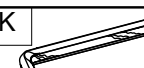

4. 



F		1x
B		8x
G	 D=16mm	12x

5.



D	 4x35	32x
E	 4x20	4x
J	 L=45 mm	4x
K	 SW 4	1x
L		2x

III.

6.

