








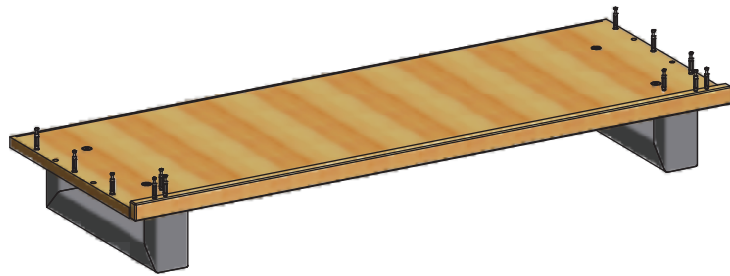
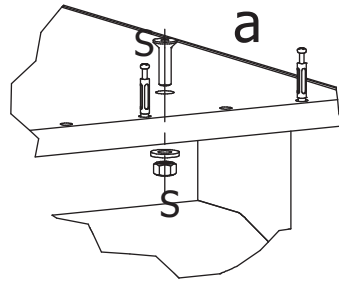
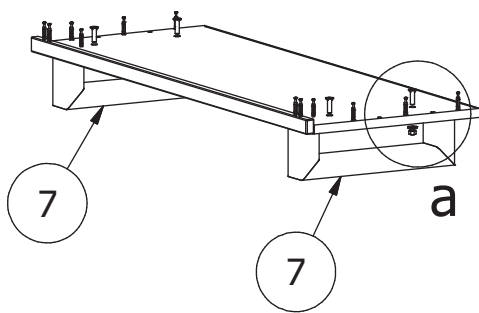
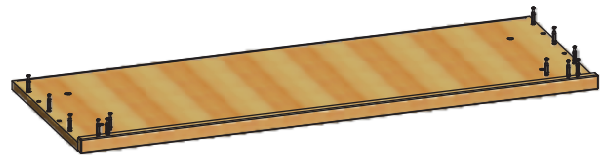
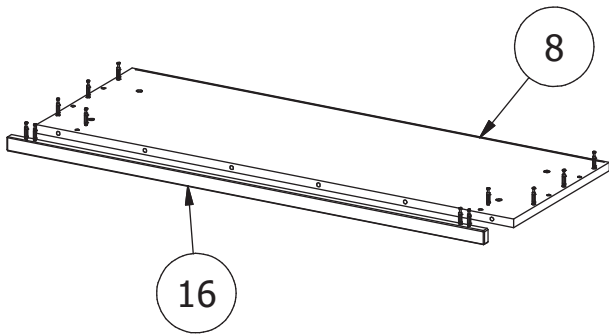
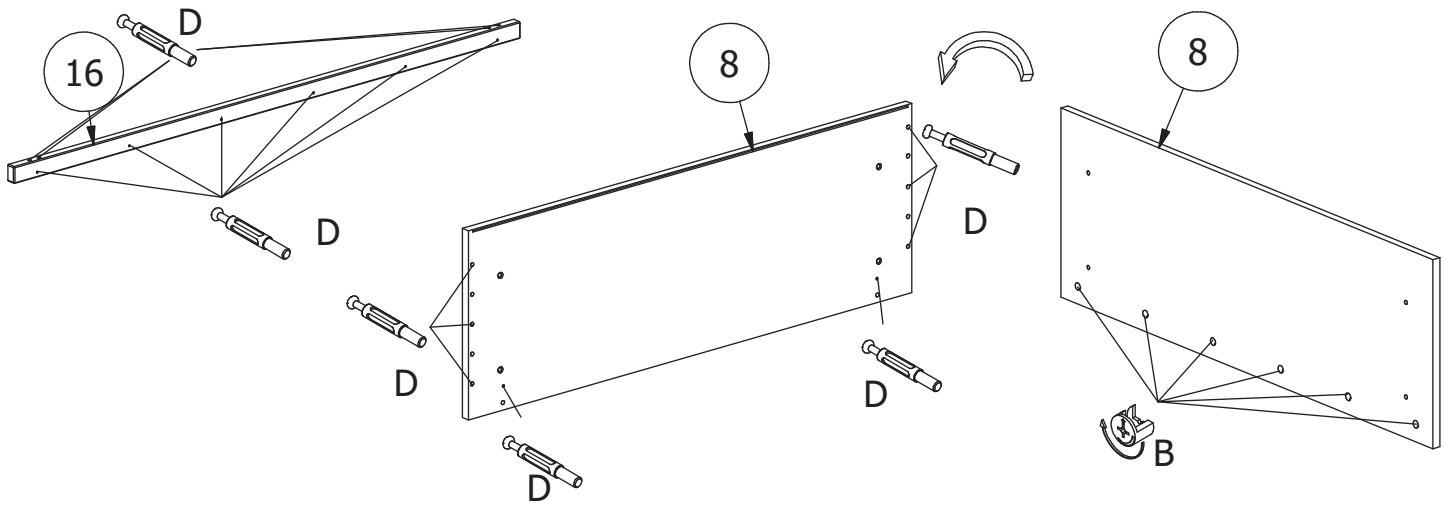


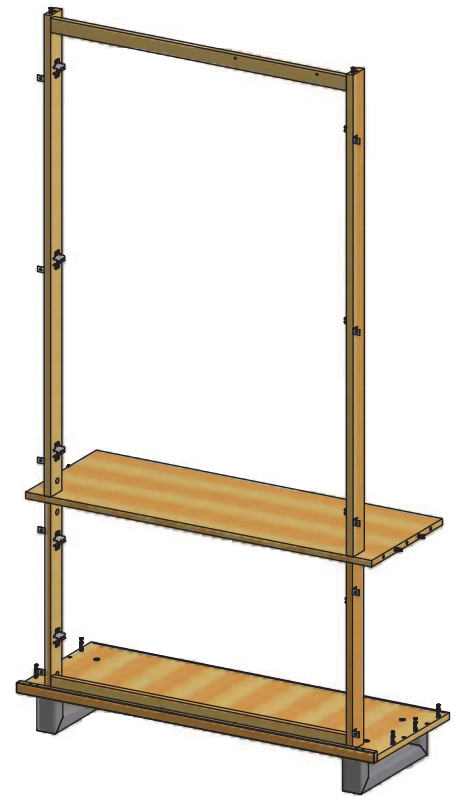
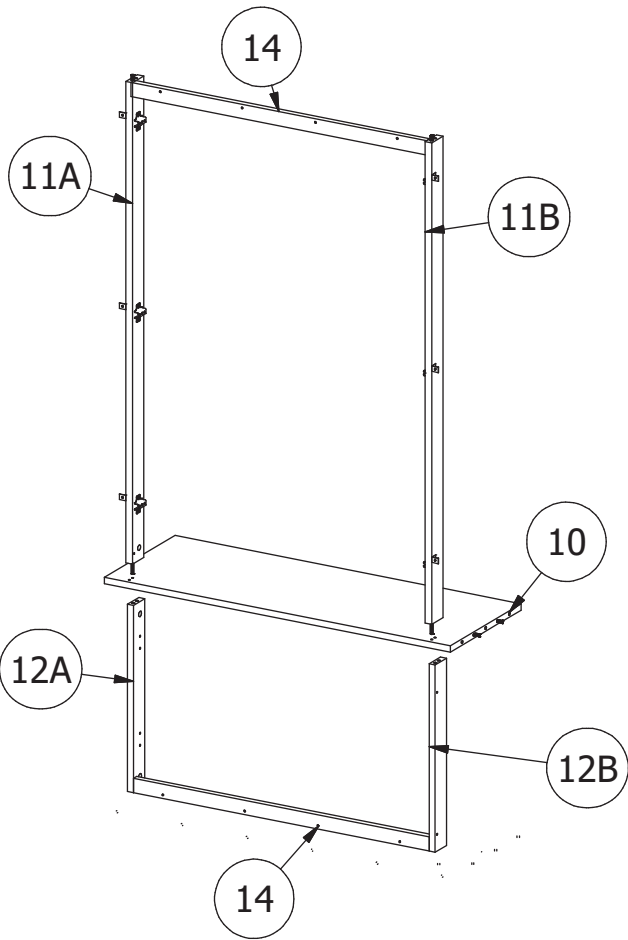
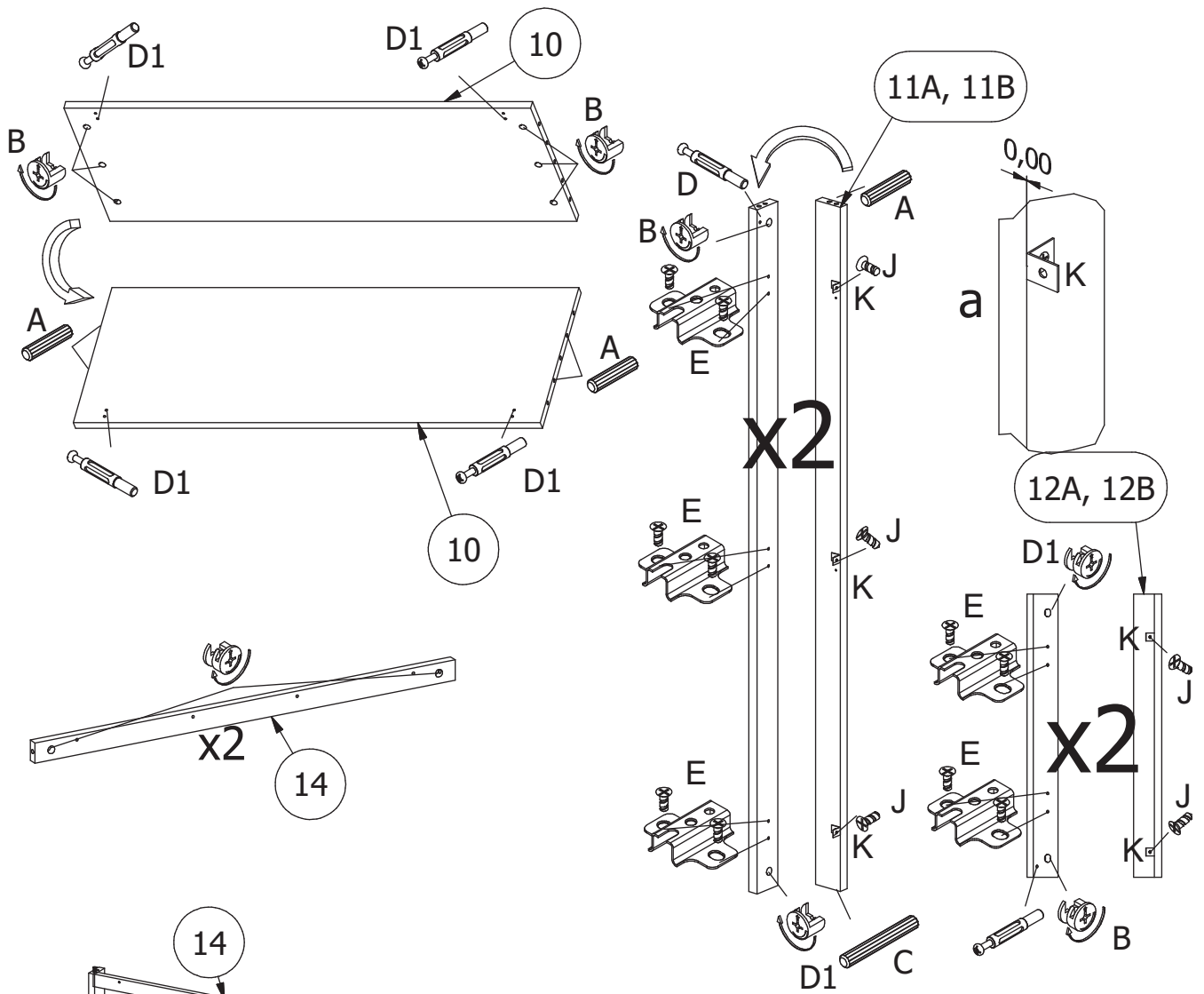
I

<p>A</p>  <p>Ø 8x30 8</p>	<p>B</p>  <p>36</p>	<p>D</p>  <p>22</p>	<table border="1"> <tr> <td data-bbox="1390 2033 1468 2197"> <p>I2</p>  <p>8</p> </td> <td data-bbox="1468 2033 1562 2197"> <p>I1</p>  <p>4</p> </td> </tr> </table>	<p>I2</p>  <p>8</p>	<p>I1</p>  <p>4</p>
<p>I2</p>  <p>8</p>	<p>I1</p>  <p>4</p>				



II

<p>S</p> <p>4</p>	<p>B</p> <p>6</p>	<p>D</p> <p>18</p>
-------------------	-------------------	--------------------



III

C
Ø5x50
2

D1
4/4

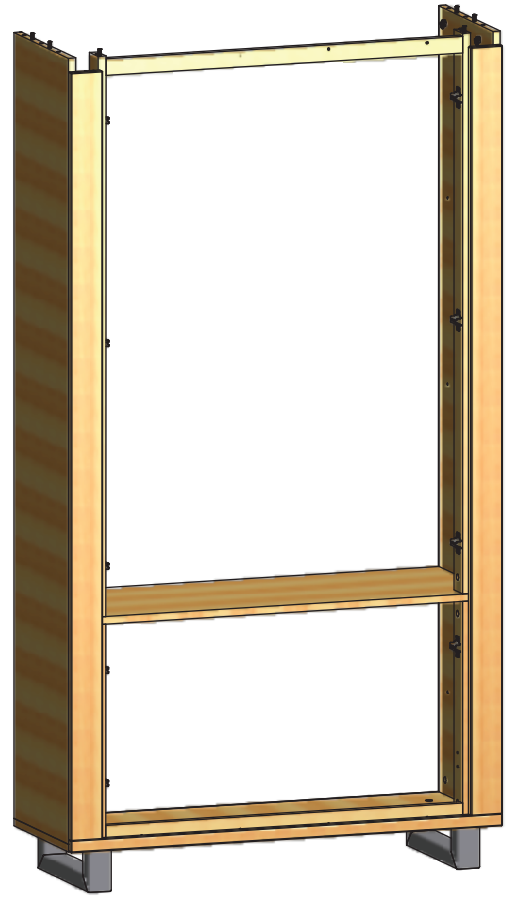
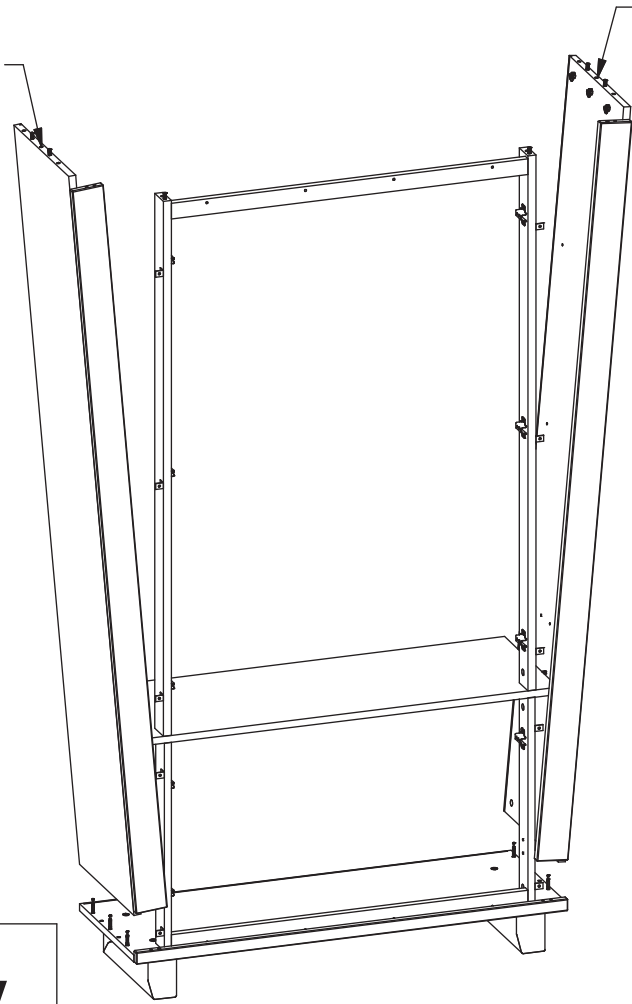
A
Ø5x30
8

B
10

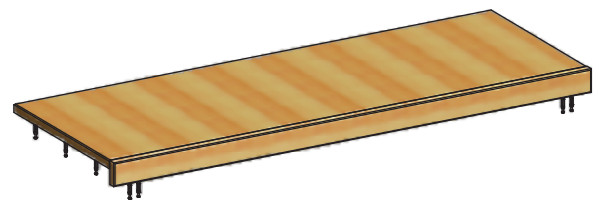
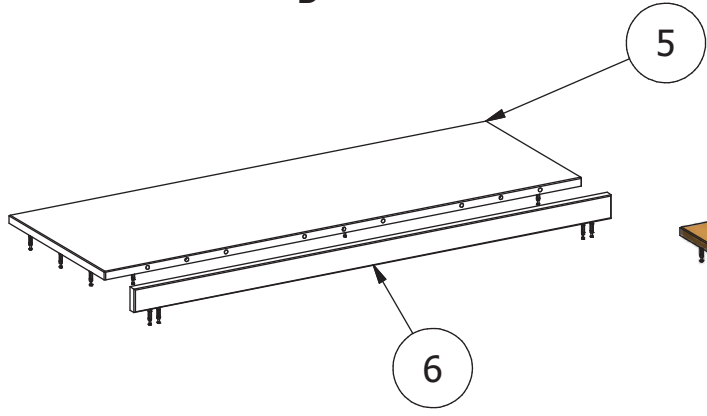
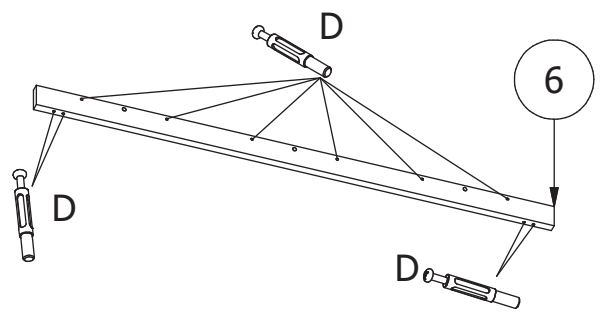
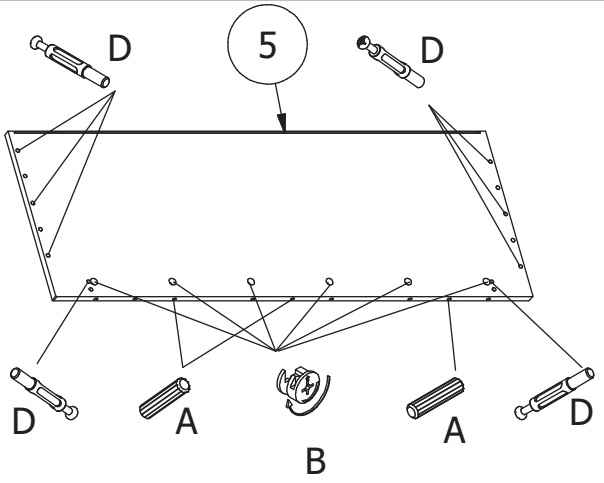
D
4

J
Ø5x13
10




K
10



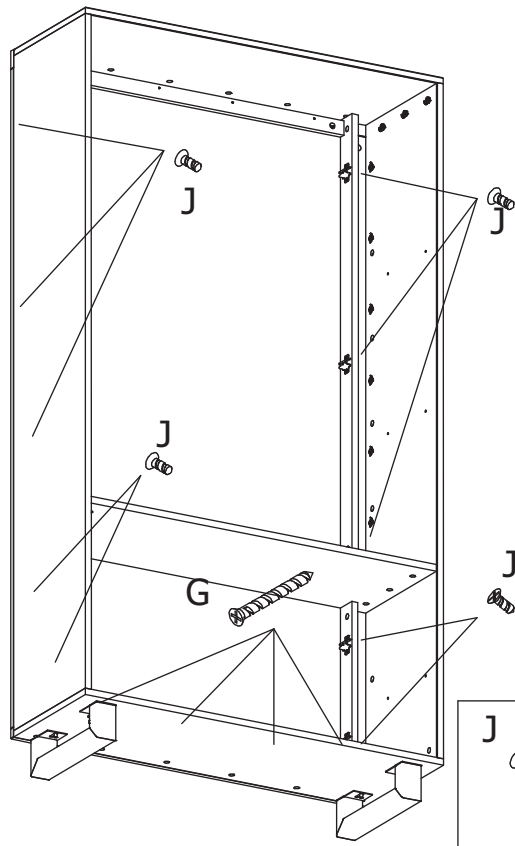
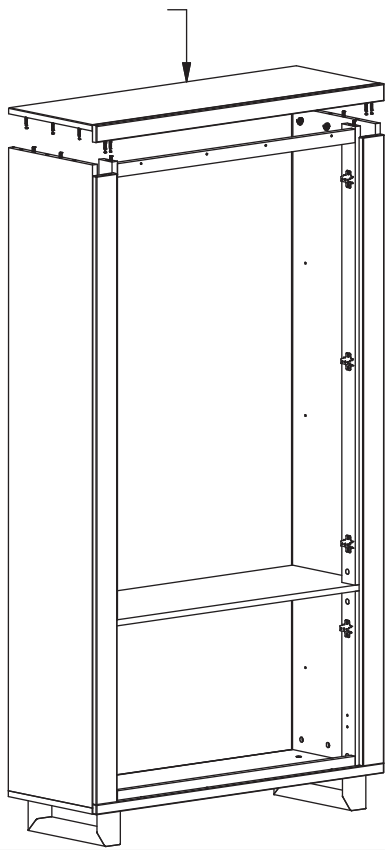
IV





V

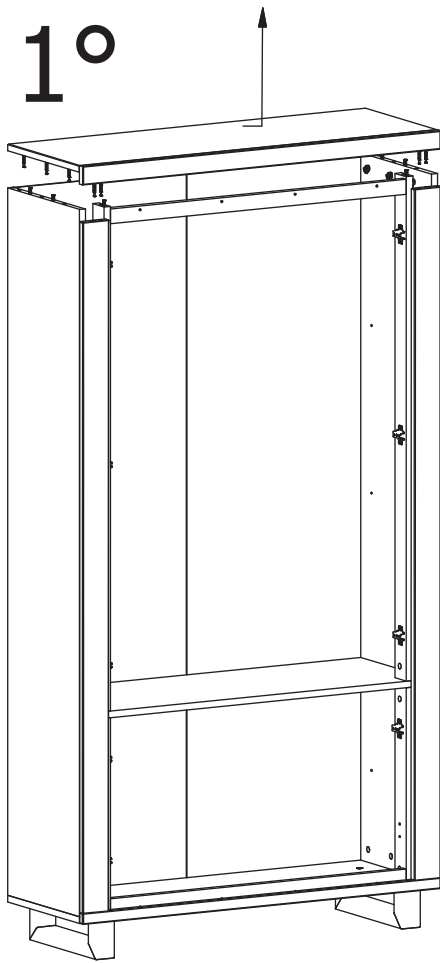
B	D	A Ø8x30
		
6	18	3

VI

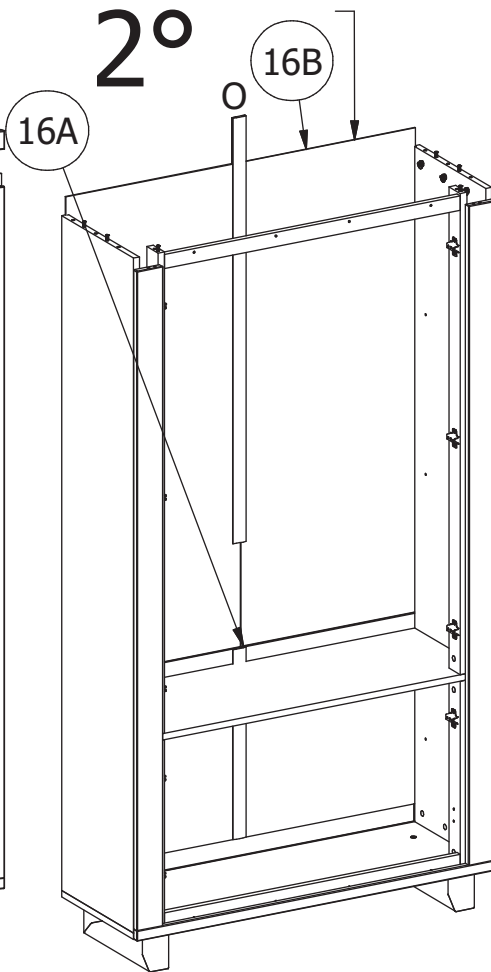


J	G
	
Ø5x13	Ø4x30
10	4

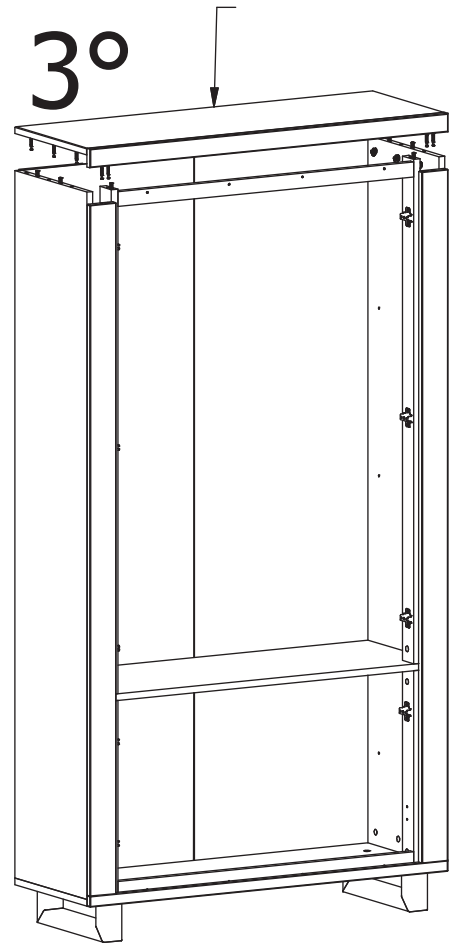
1°



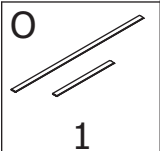
2°

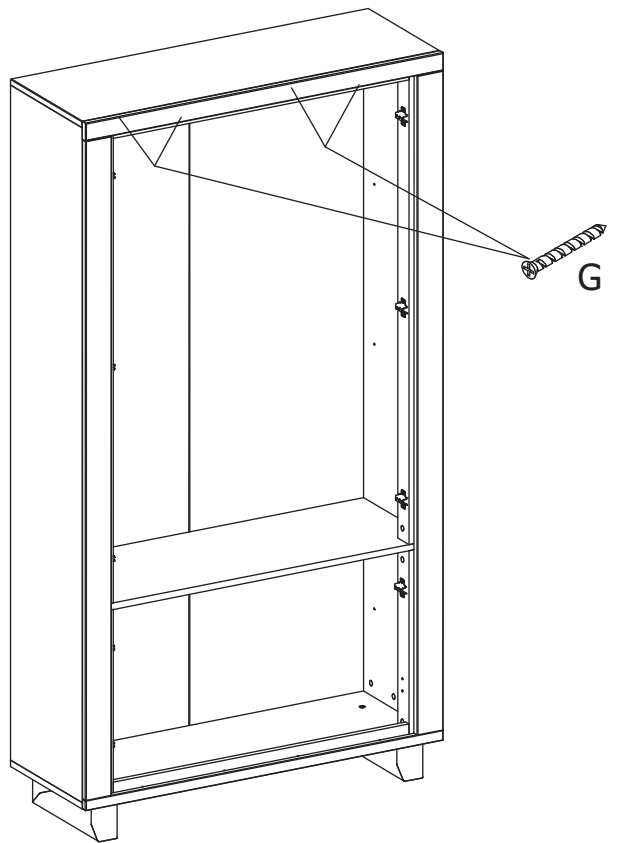
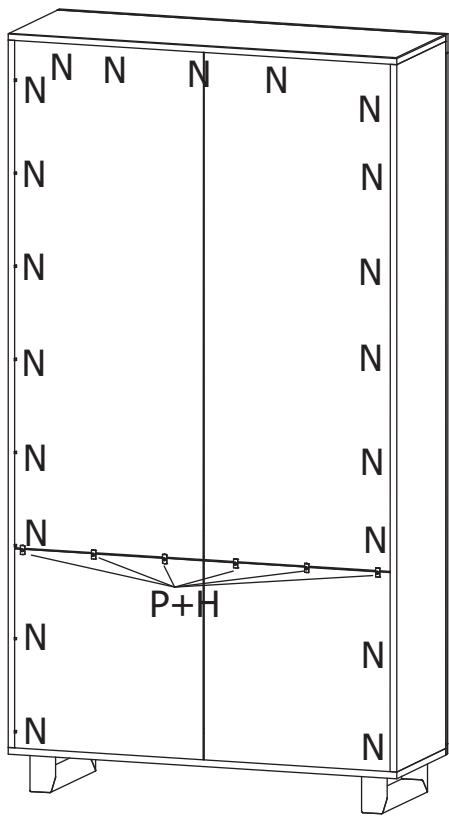


3°







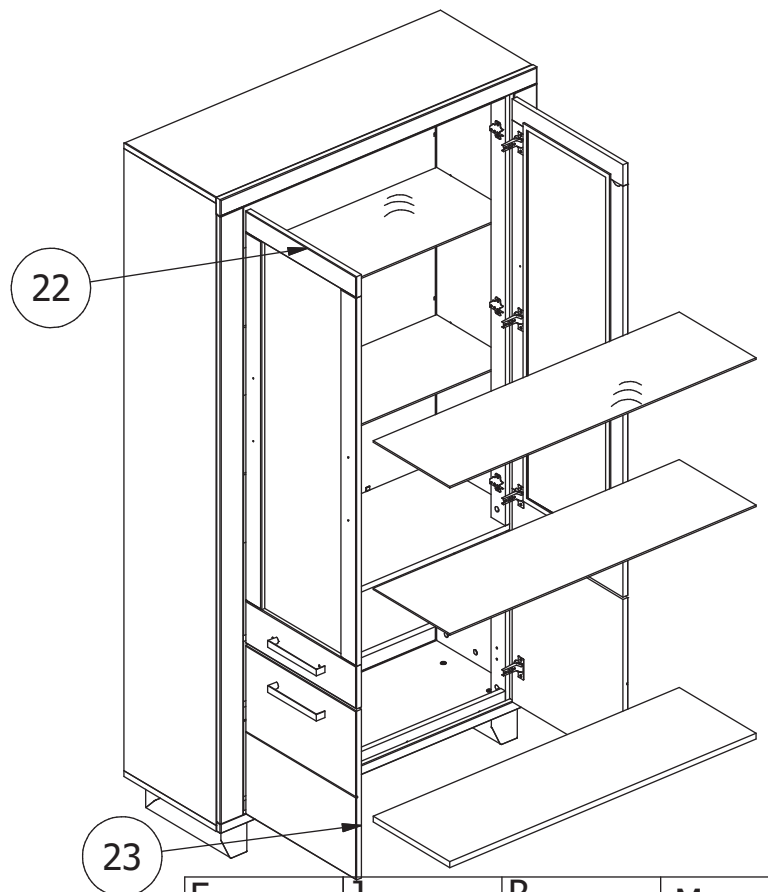
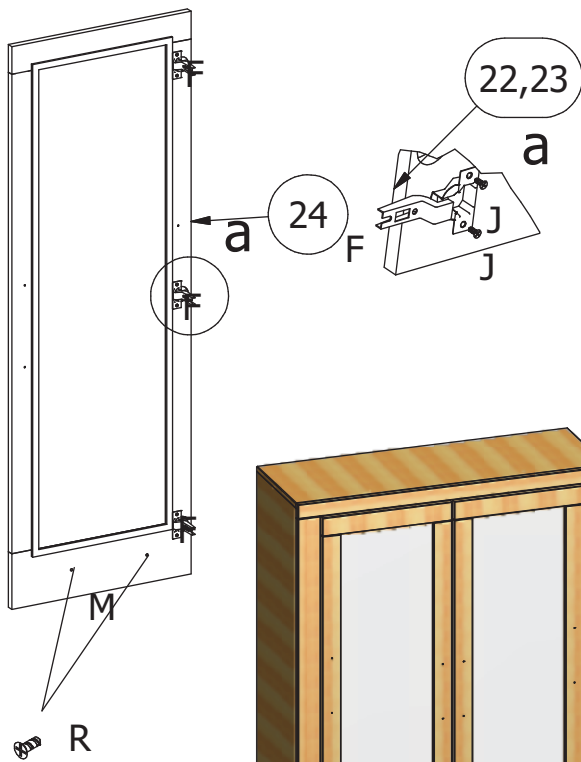
VII





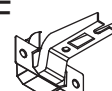
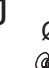


VIII

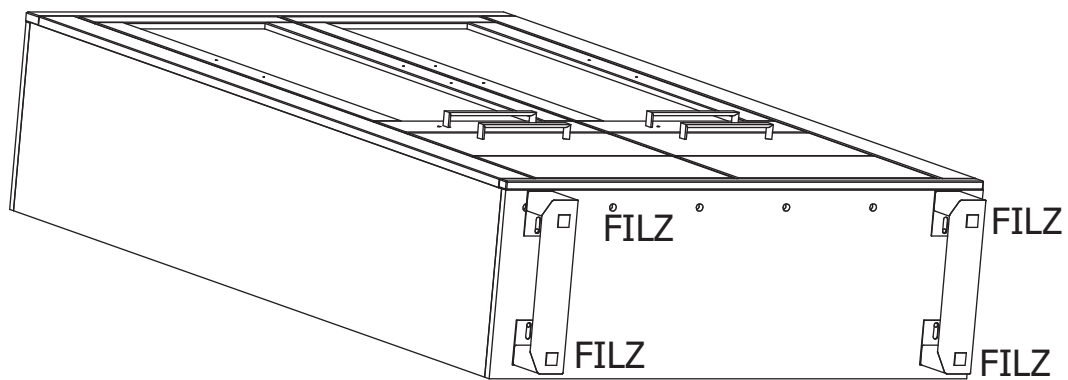
G	N	P	H
 Ø4x30			
4	24	10	10



IX



F	J	R	M
	 Ø5x13	 M4x26	
10	20	8	4



X

FILZ

