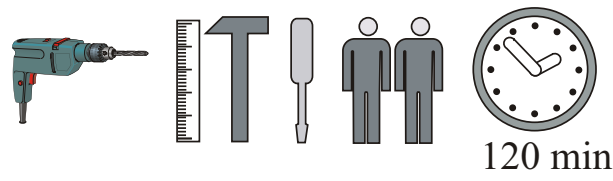
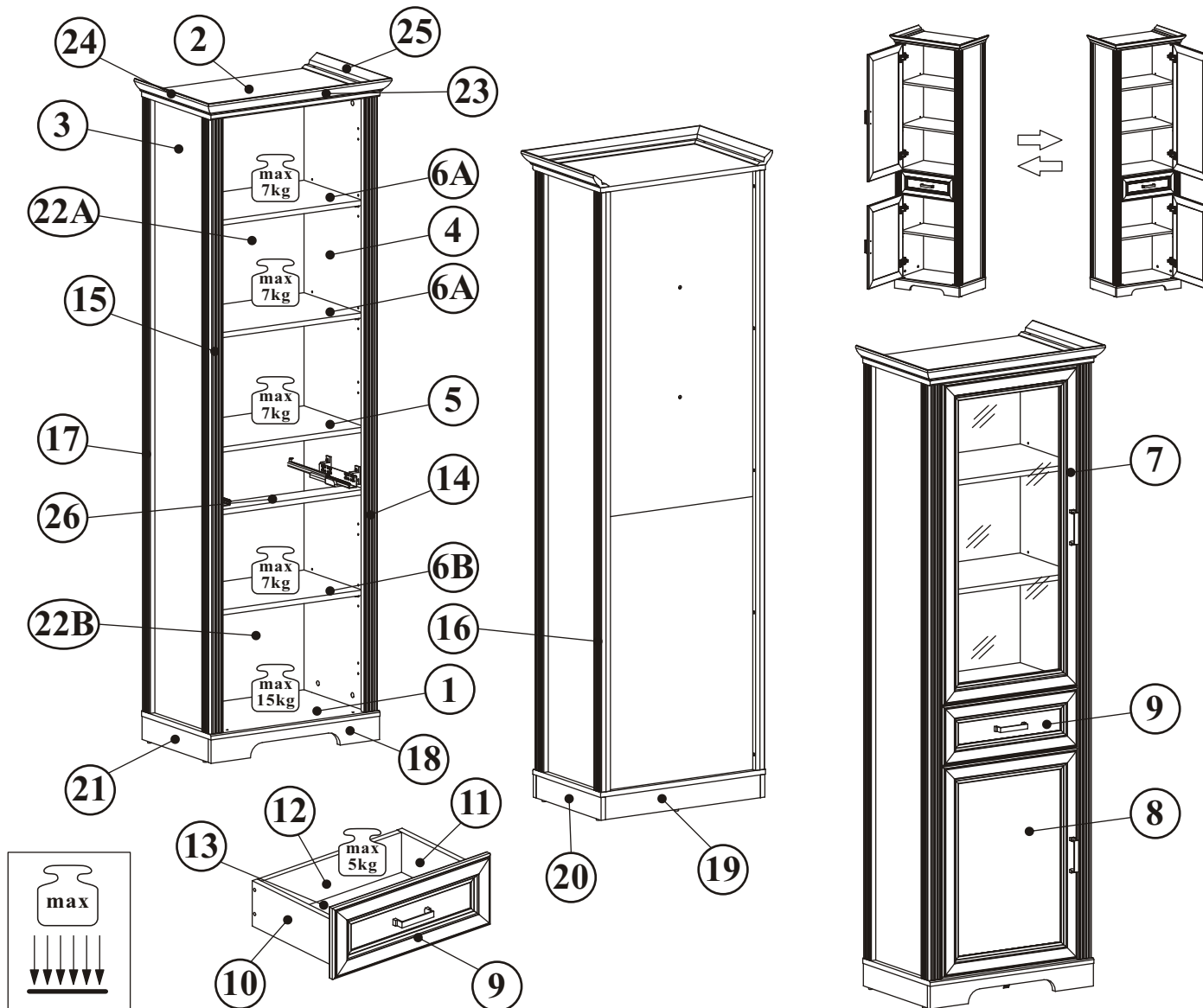


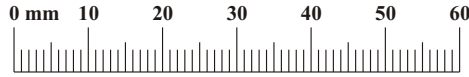
JASMIN 10G9_02



120 min

NO	Dim.		Col.-No	Qty
1	602	386	1	1
2	603	386	1	1
3	1890	359	2	1
4	1890	359	2	1
5	530	339	1	1
6A/6B	530	324	3	3
7	1020	496	1	2
8	668	496	1	1
9	496	188	1	1
10	300	120	1	1
11	300	120	1	1
12	440	106	1	1
13	304	452	1	1

NO	Dim.		Col.-No	Qty
14	1890	49	2	1
15	1890	49	2	1
16	1890	43	2	1
17	1890	43	2	1
18	600	72	1	1
19	566	72	1	1
20	369	72	1	1
21	369	72	1	1
22A	1031	542	1	1
22B	871	542	1	1
23	654,7	67	2	1
24	412,4	67	2	1
25	412,4	67	2	1
26	530	80	1	1



H1		OS3	
x4		x2	

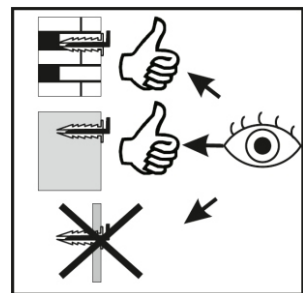
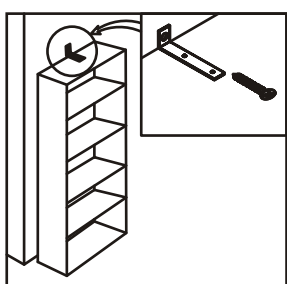
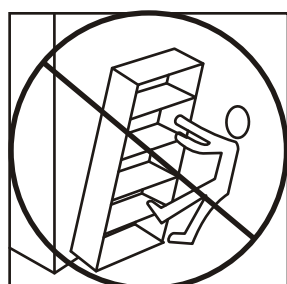
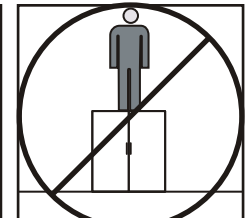
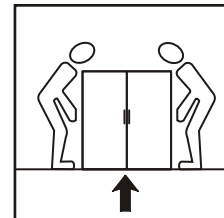
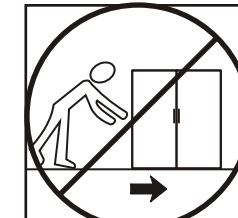
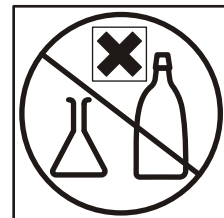
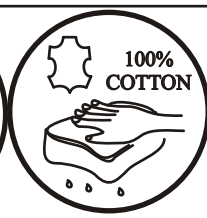
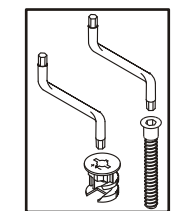
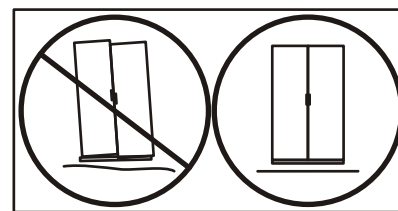
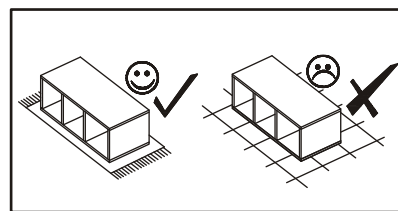
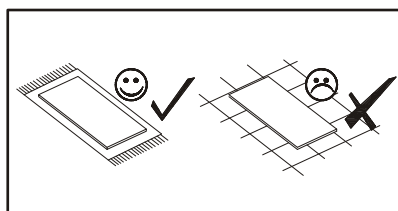
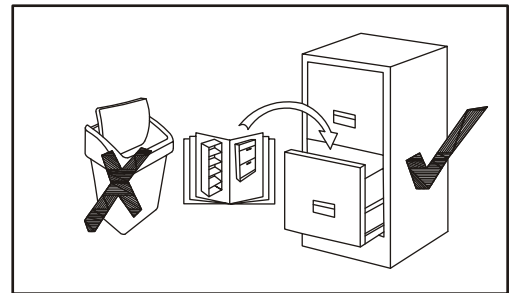
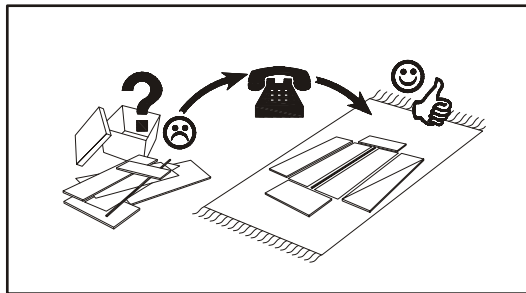
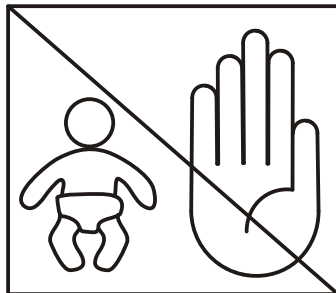
A1		B4		B5		G5		G7		G2	
x30	ø8x36	x26		x26	ø15x12	x26		x12		x1	

S1		E17		E13		Z2		L1		KR1	
x18		x4	H=16	x4	H=2	x10	ø5	x1		x1	

EK8		D10		UP13		D20		QU		I2	
x8	EK06,3x24	x12	US03,5x13	x8	UP03x16	x4	ES06,3x9,5	x1	L-300	x5	

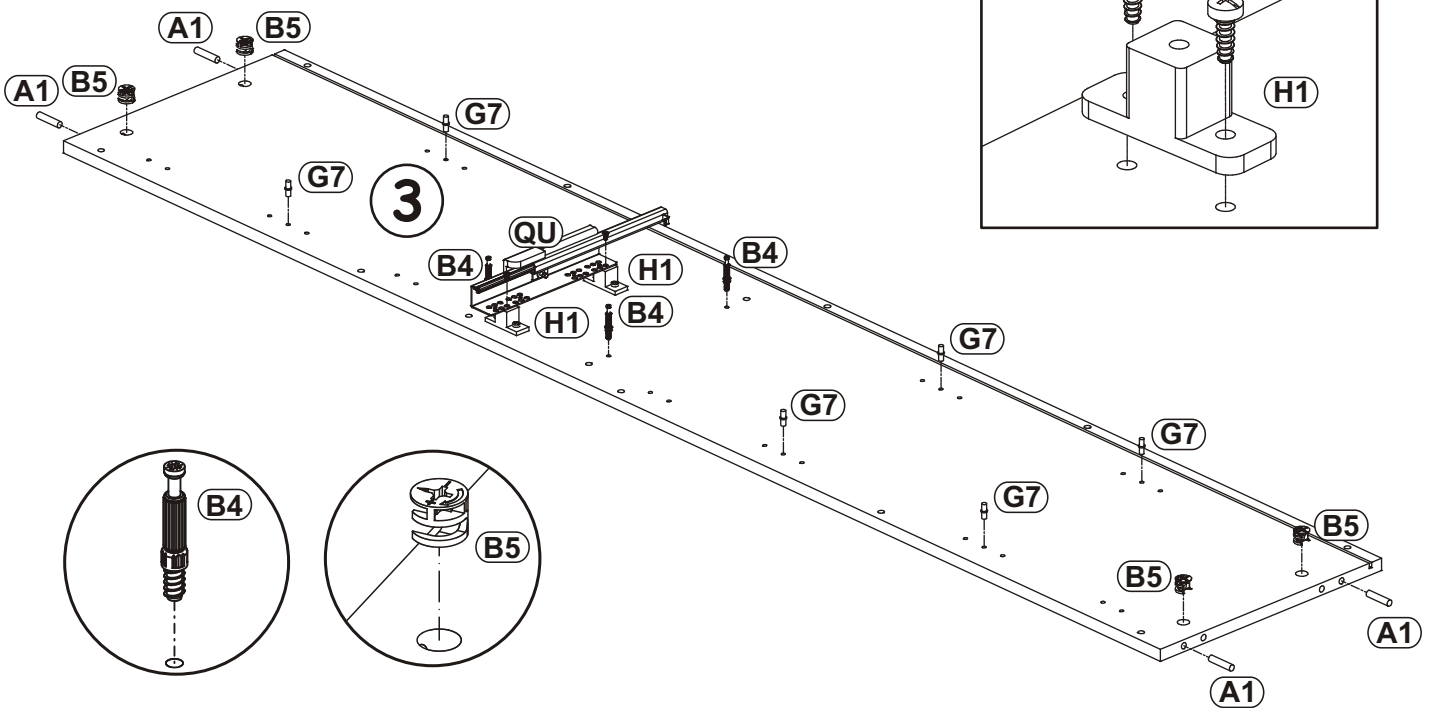
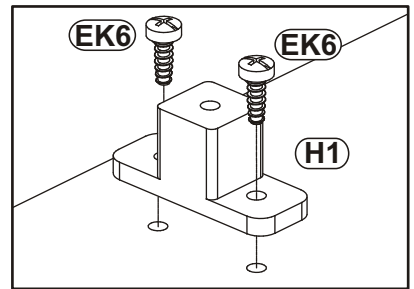
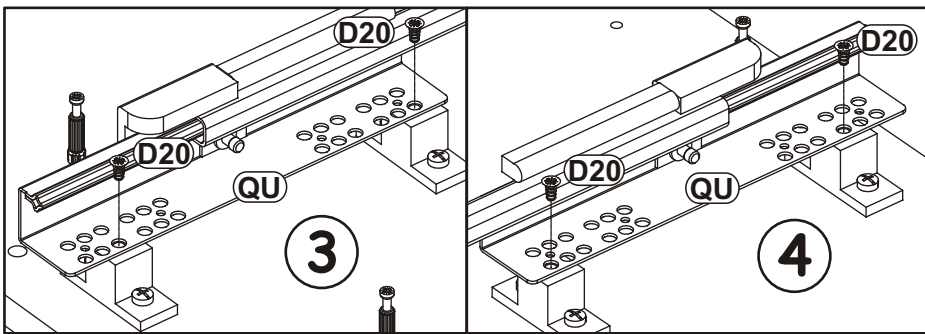
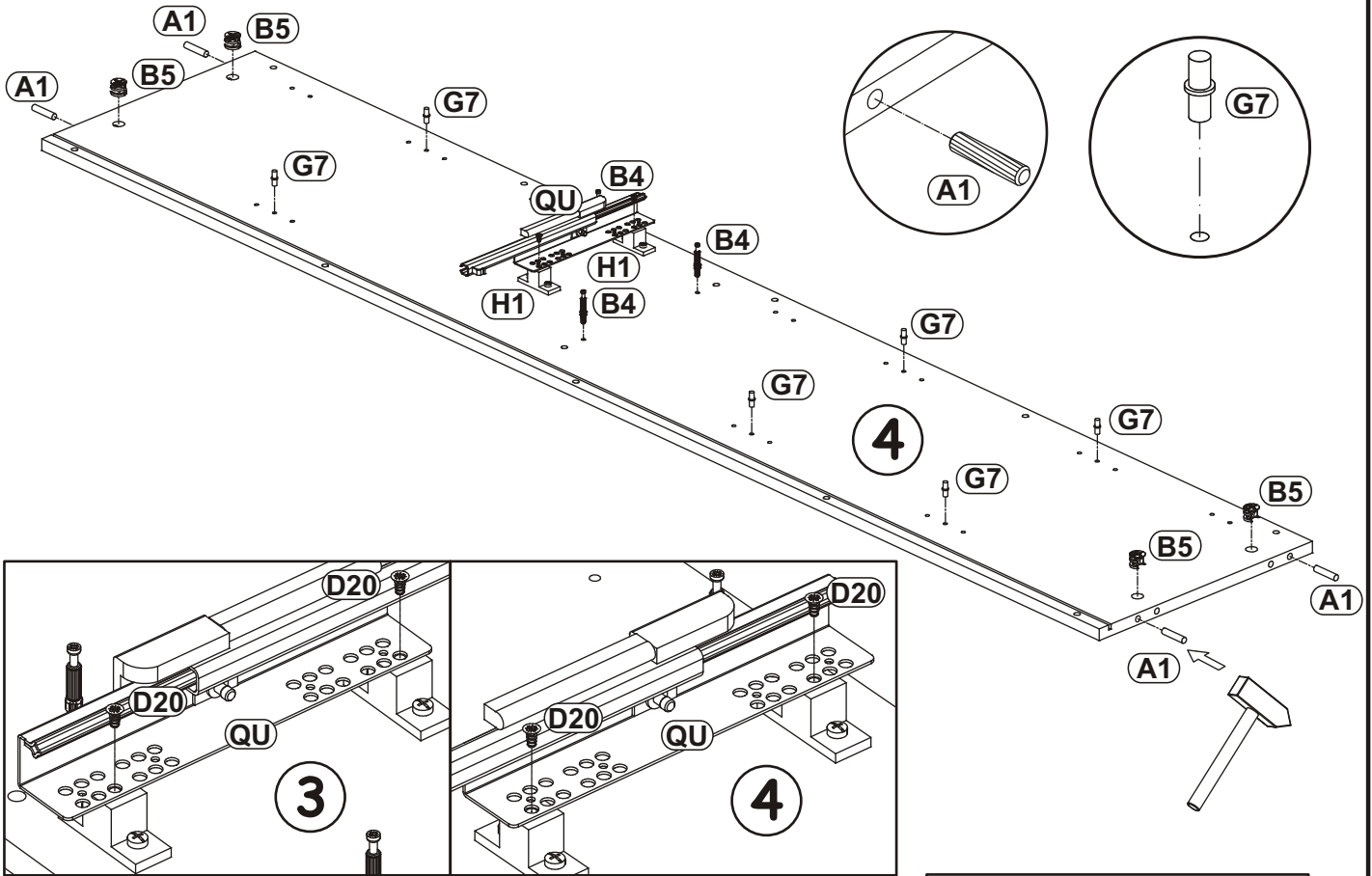
B11		B14		G4		KM1		G16		E0	
x4	ø7x50	x20	ø7x30	x24		x1		x4		x4	H=11

C19		D16		D4		EK6		D9		G20	
x3		x2	M4x16	x4	M4x30	x8	EK06,3x13	x6	US03x20	x2	

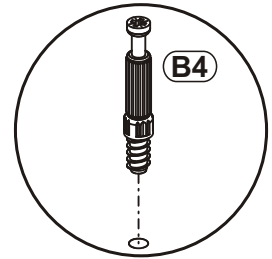
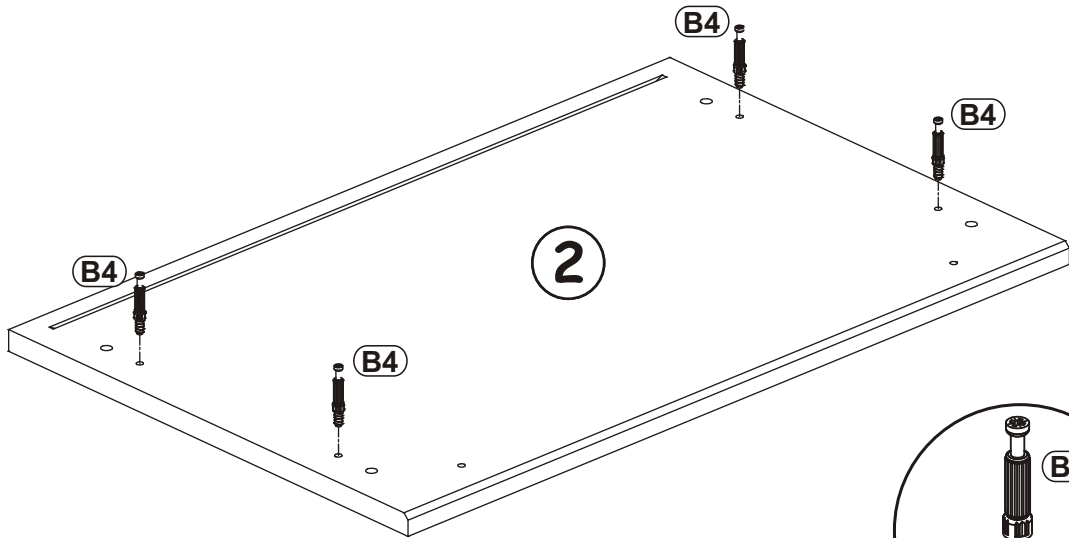
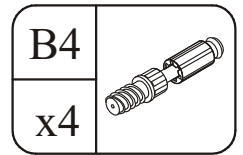


1

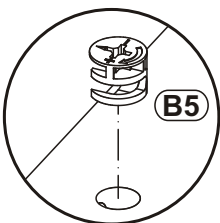
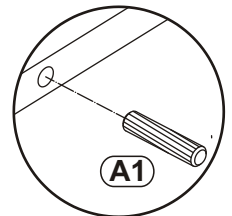
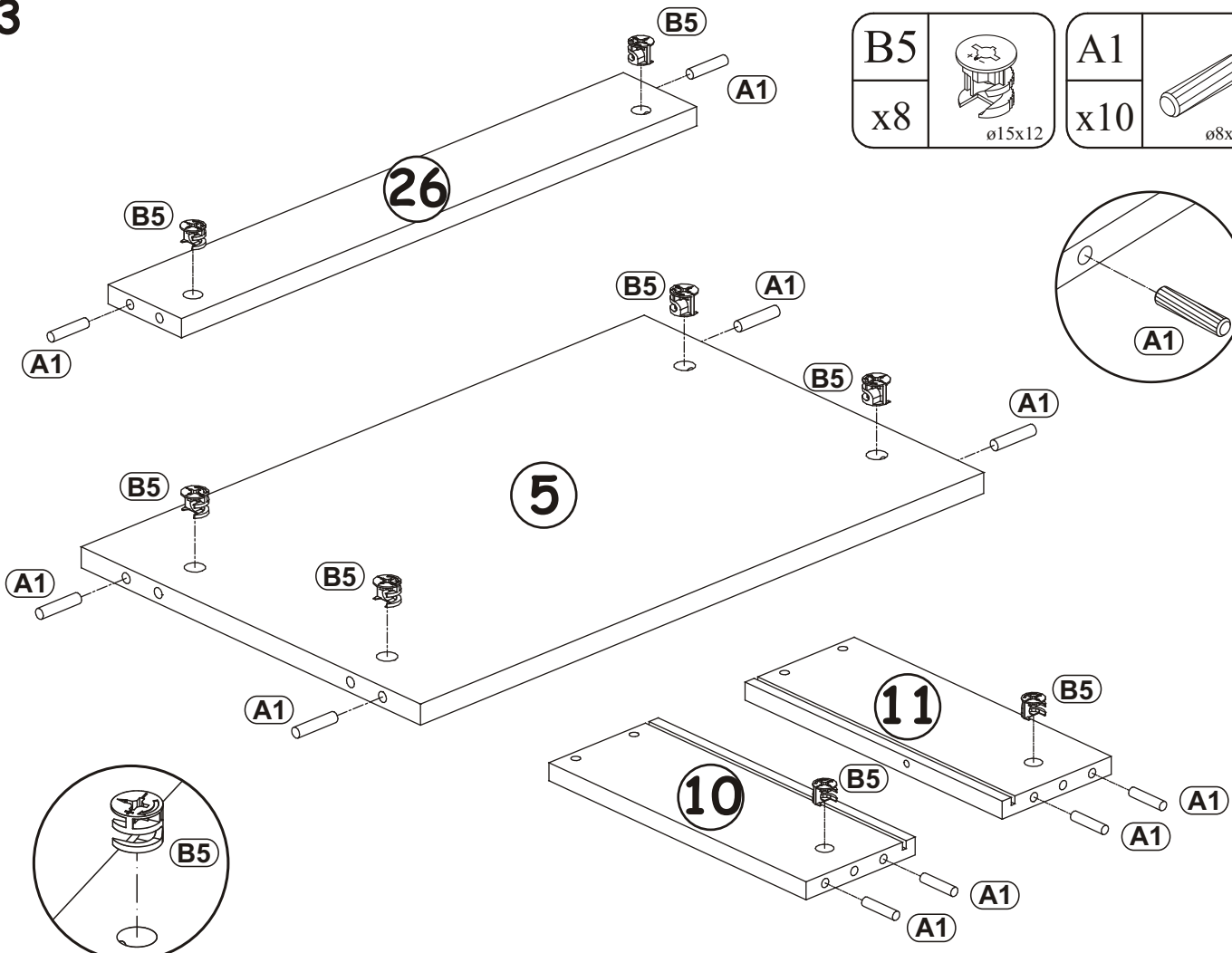
H1 x4		QU x1 L-300		B5 x8 ø15x12		G7 x12	
EK6 x8		D20 x4 ESØ6,3x9,5		B4 x6		A1 x8 ø8x36	



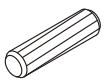
2




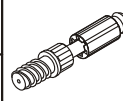
3

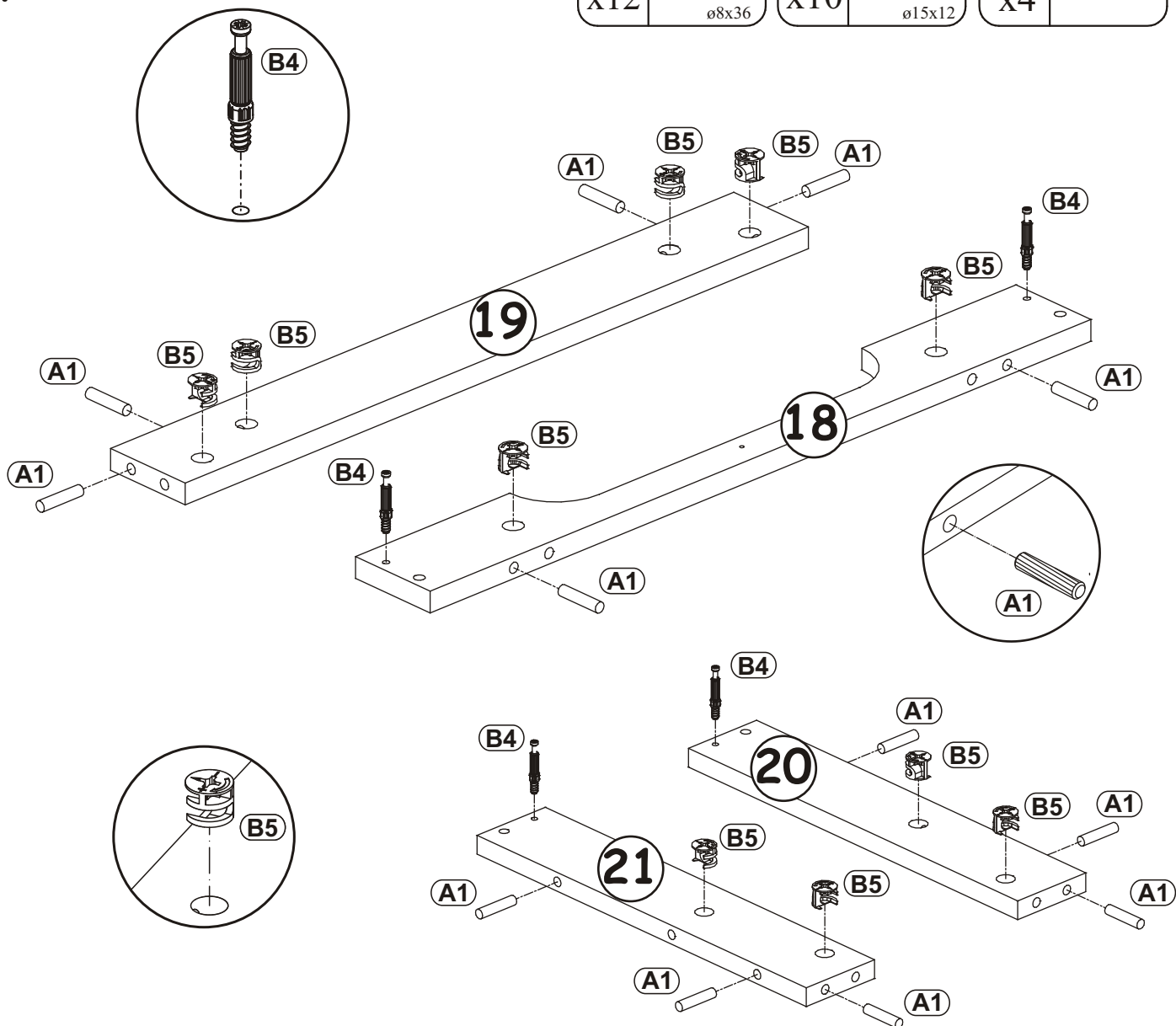


4

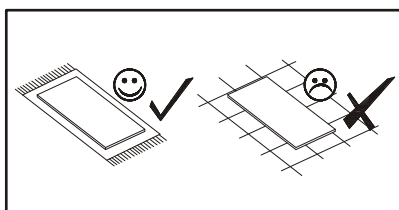
A1	
x12	ø8x36

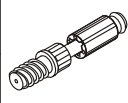
B5	
x10	ø15x12

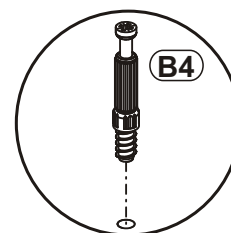
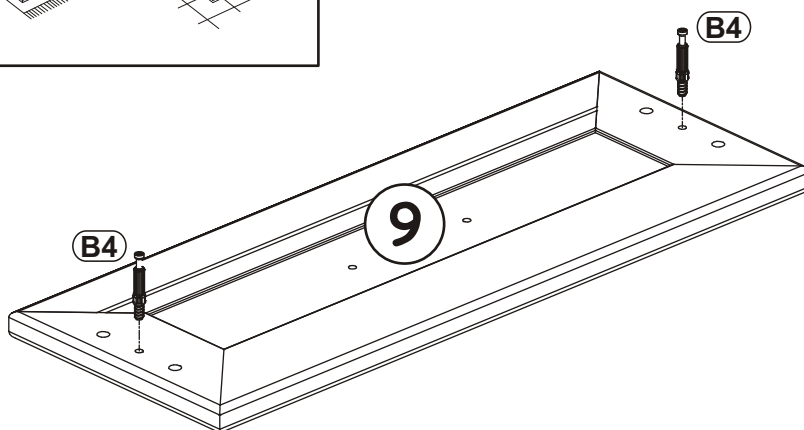
B4	
x4	



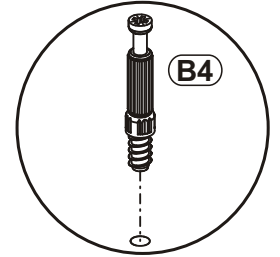
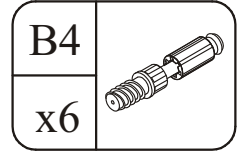
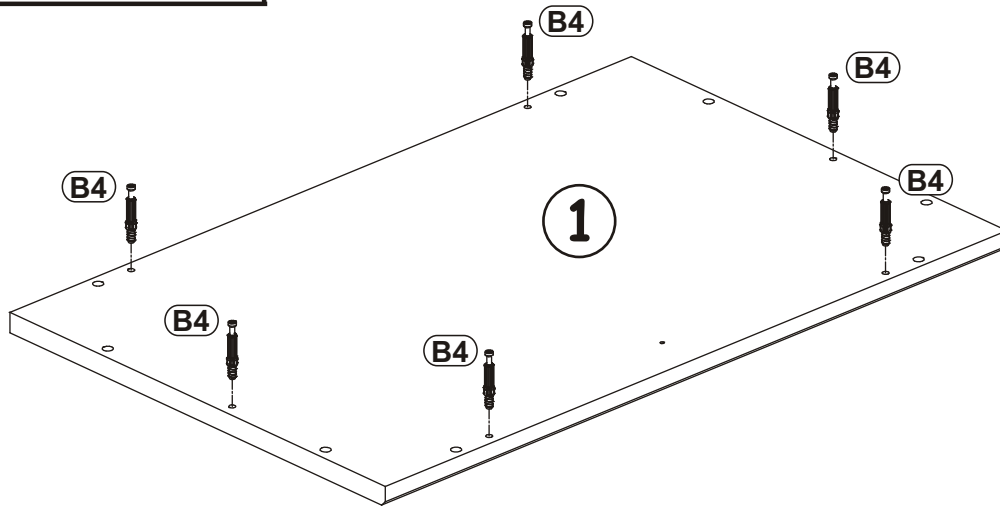
5



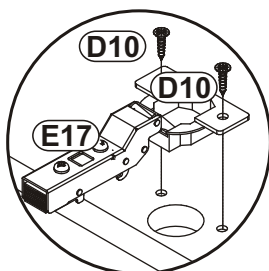
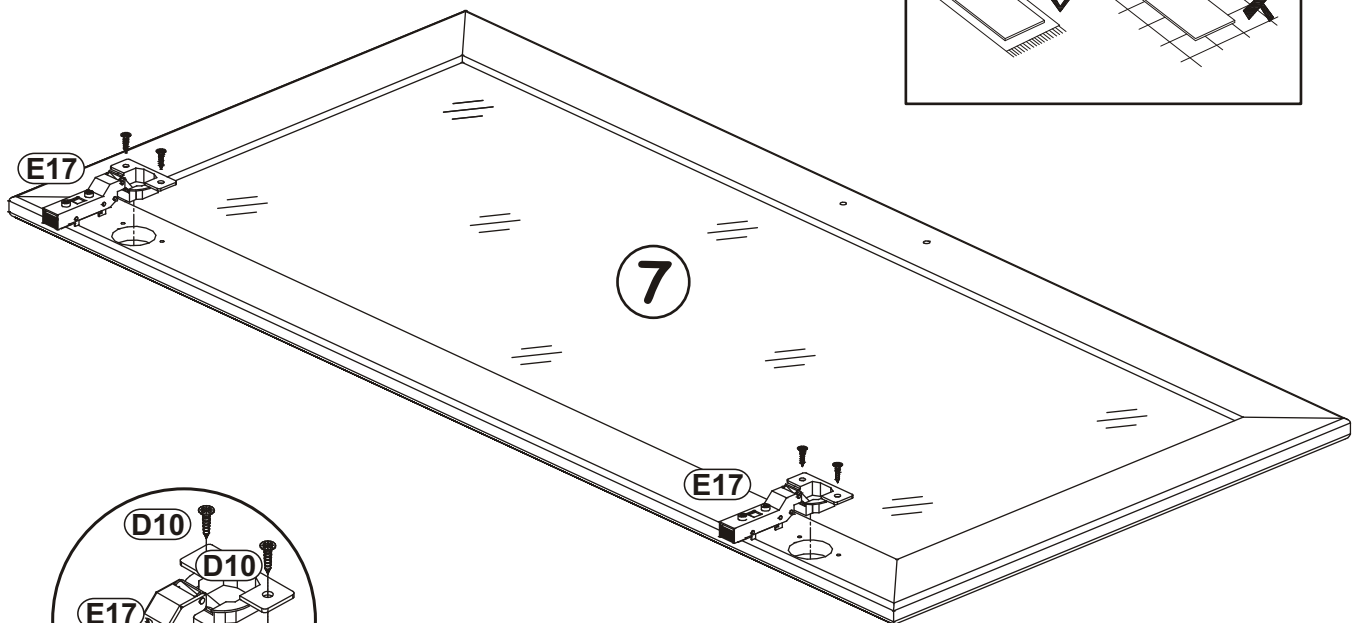
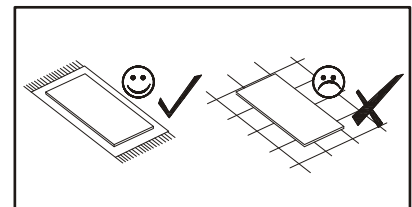
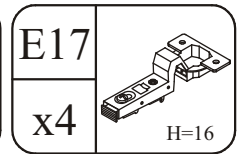
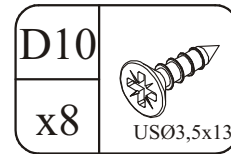
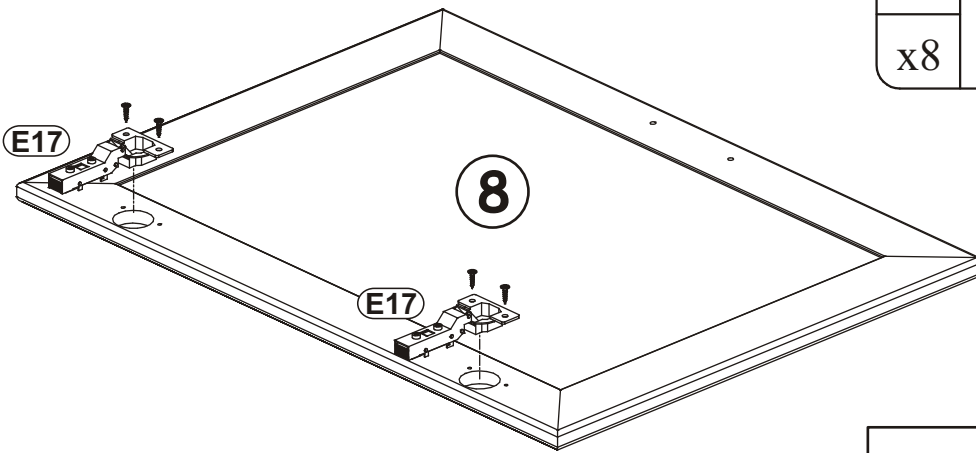
B4	
x2	



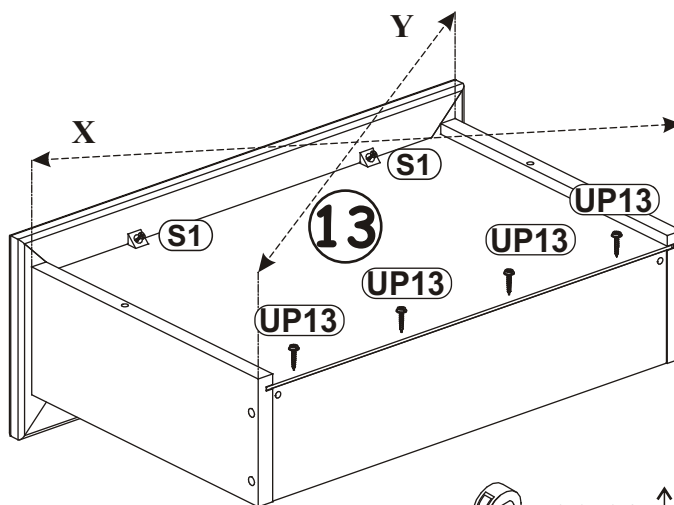
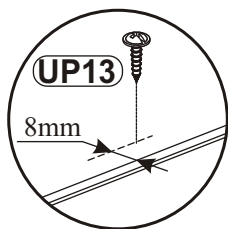
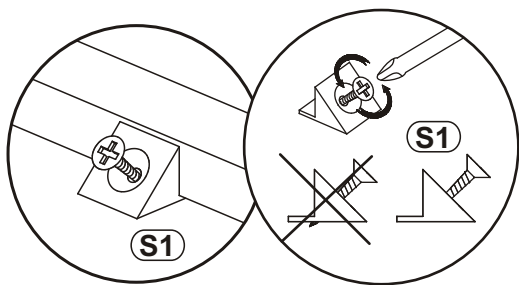
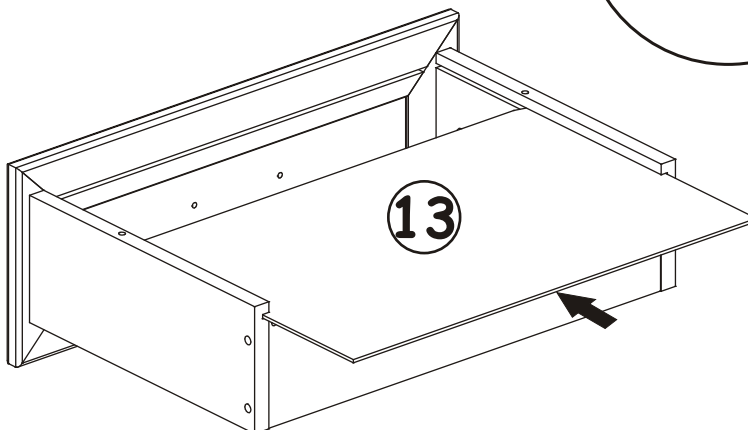
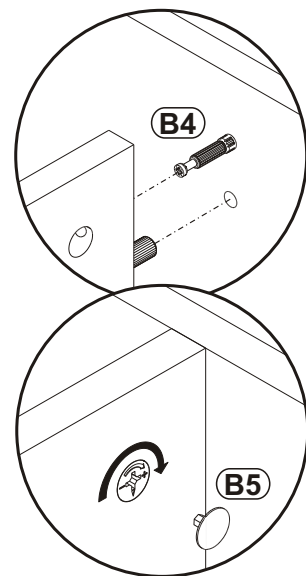
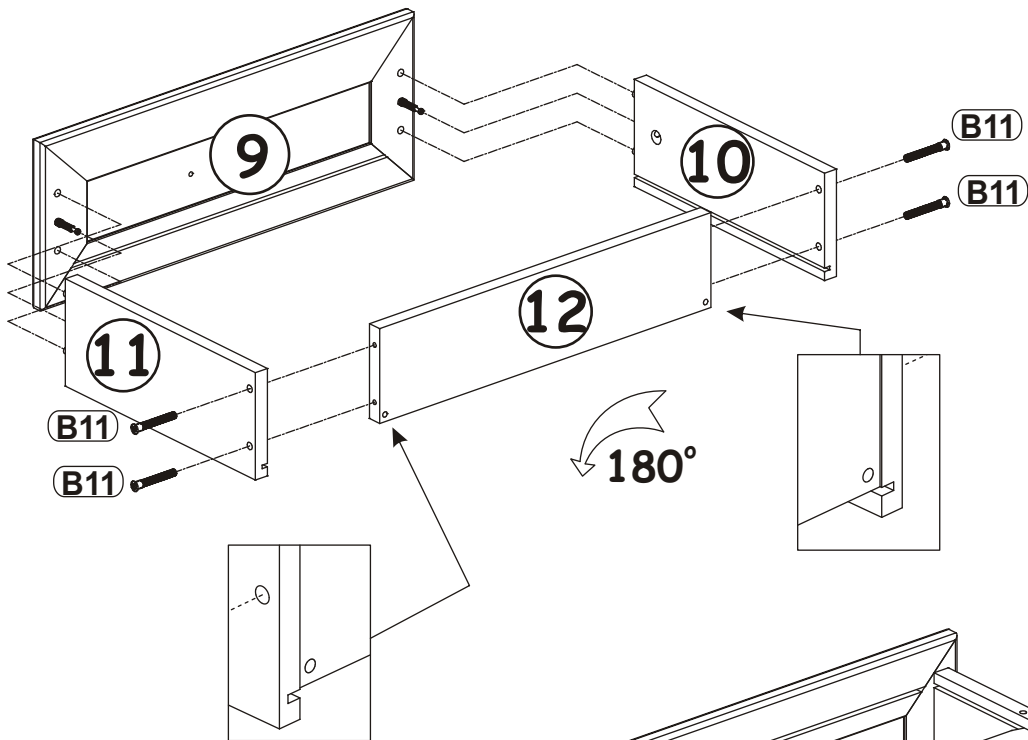
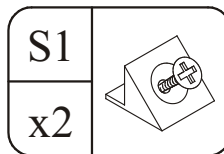
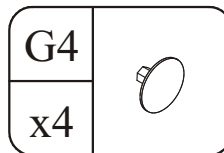
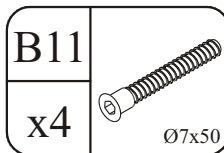
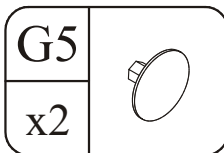
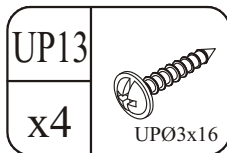
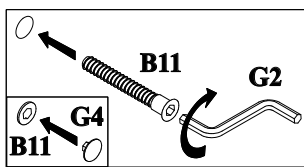
6



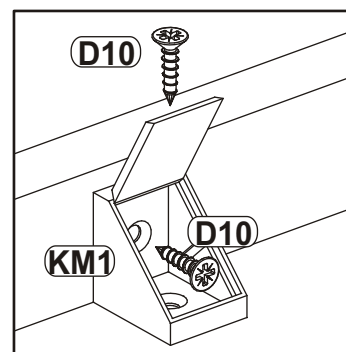
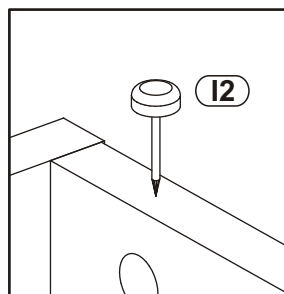
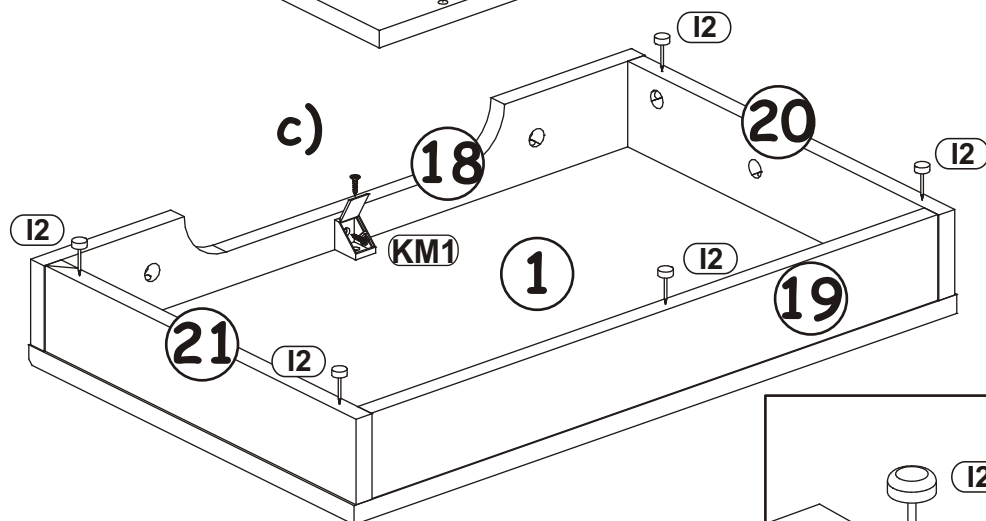
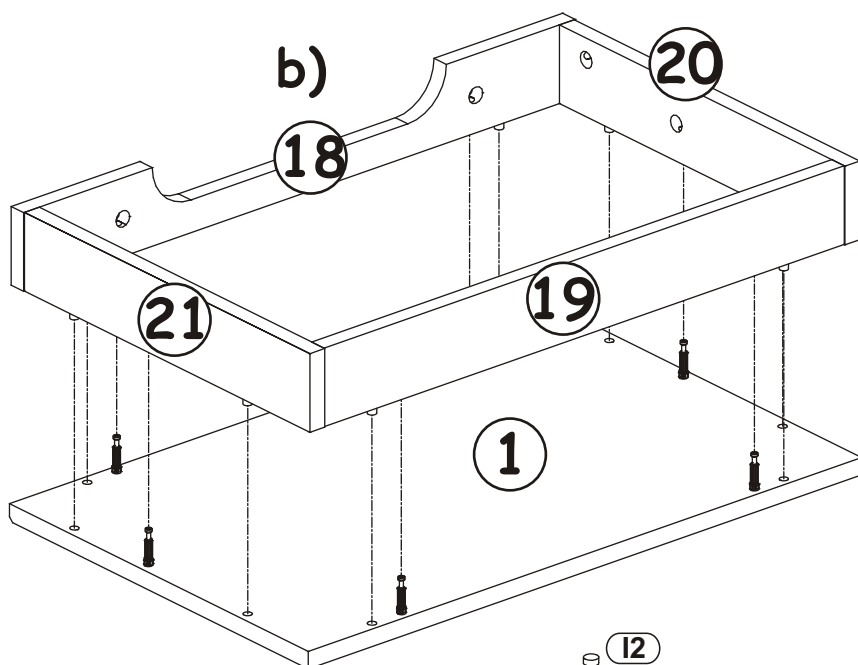
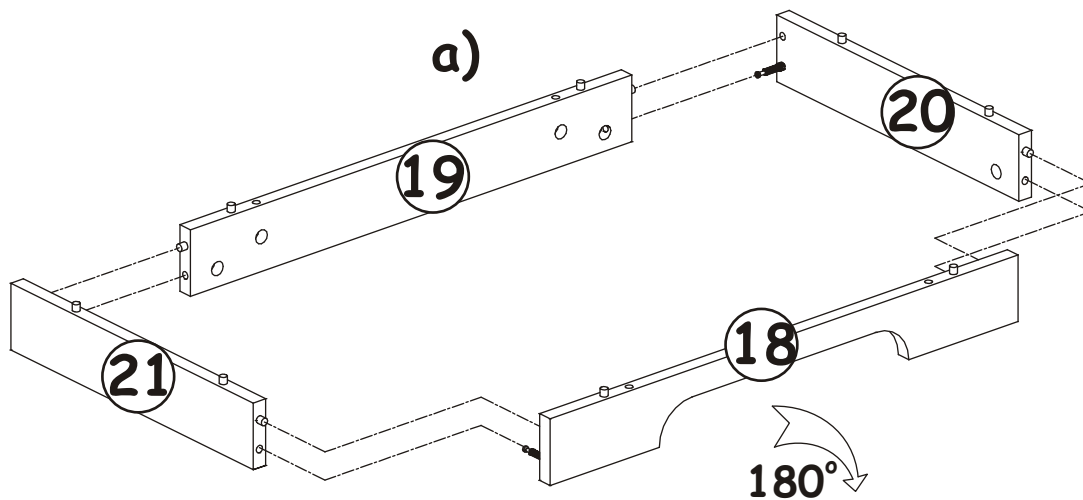
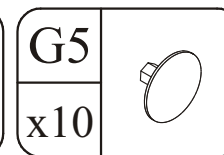
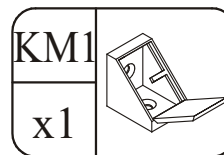
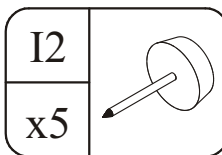
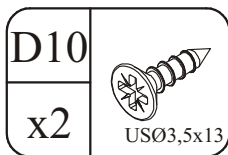
7



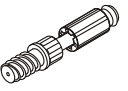
8

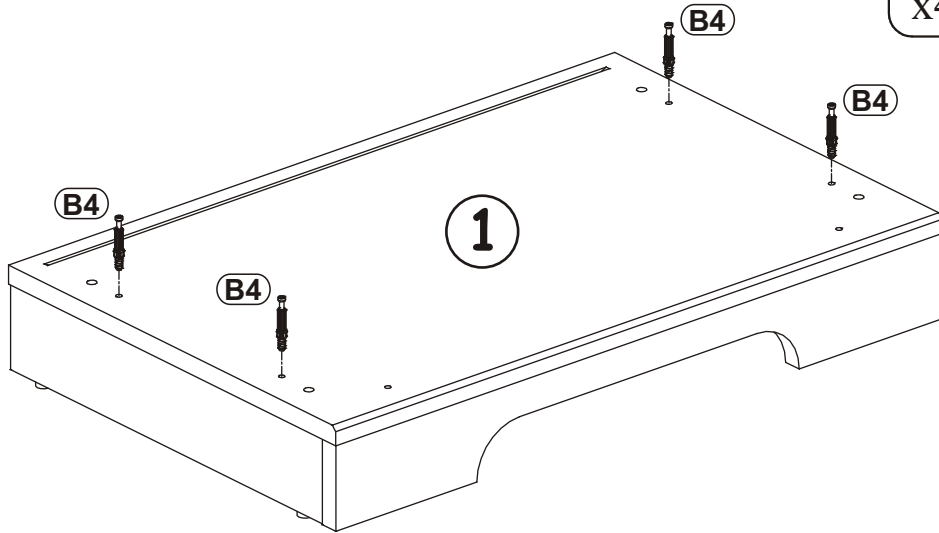
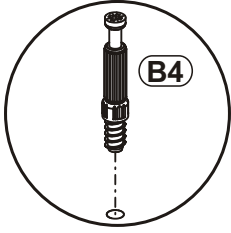


9





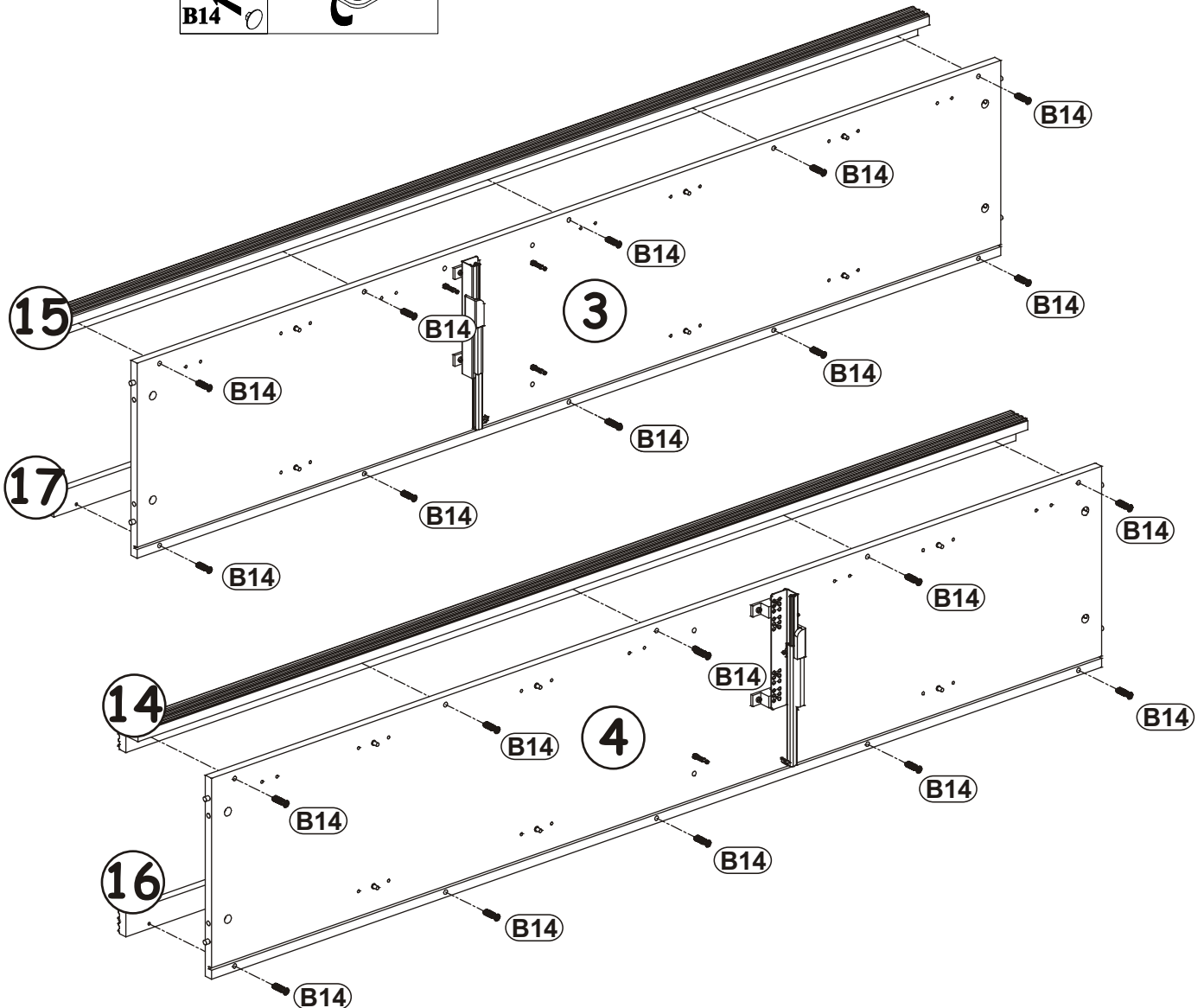
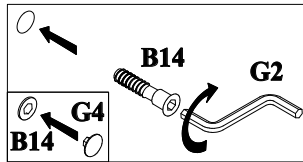
10

B4	
x4	



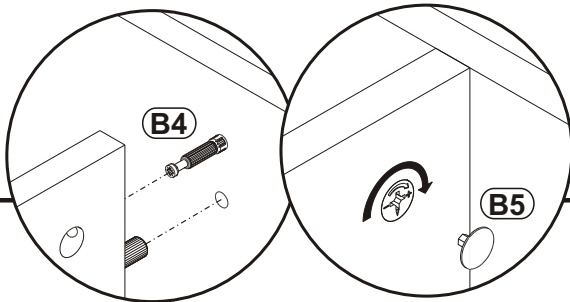
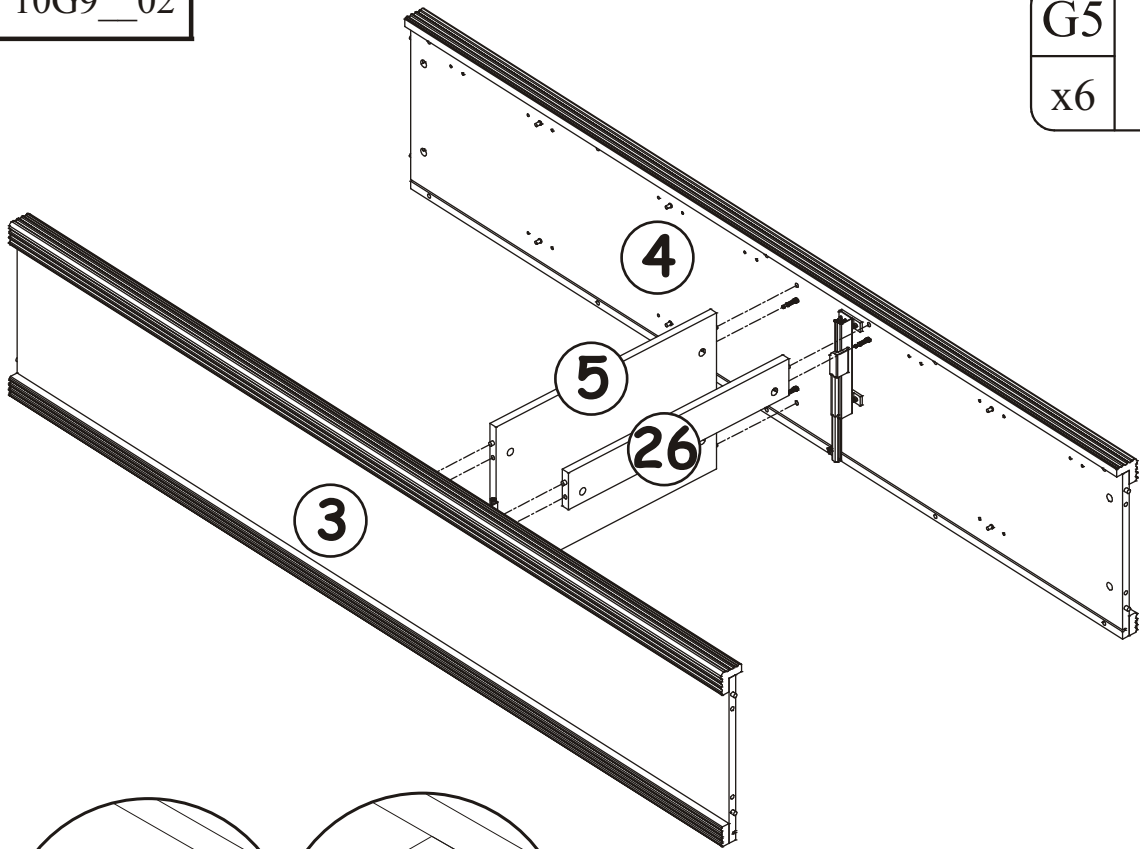
11

B14		G4	
x20	Ø7x30	x20	

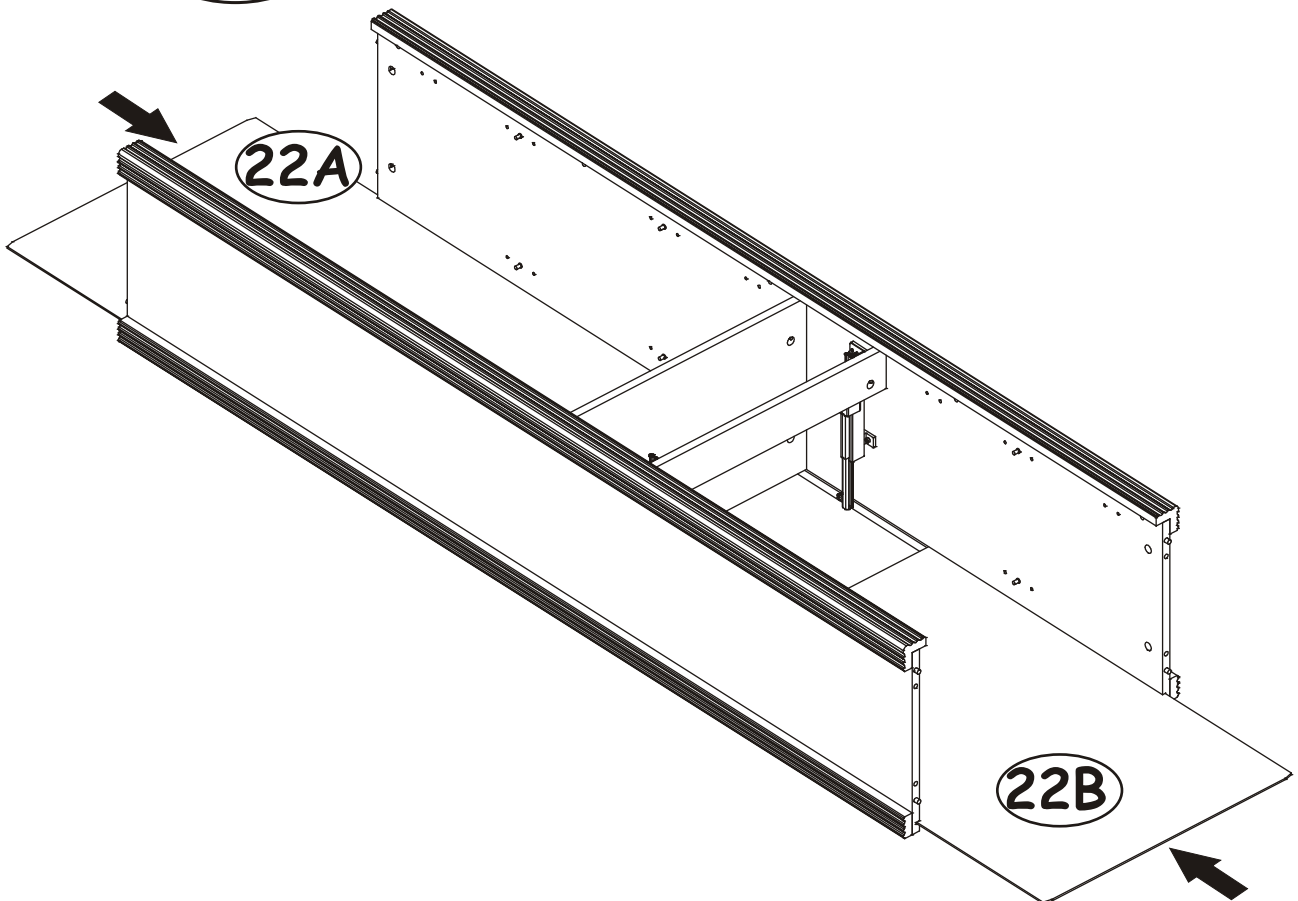





12

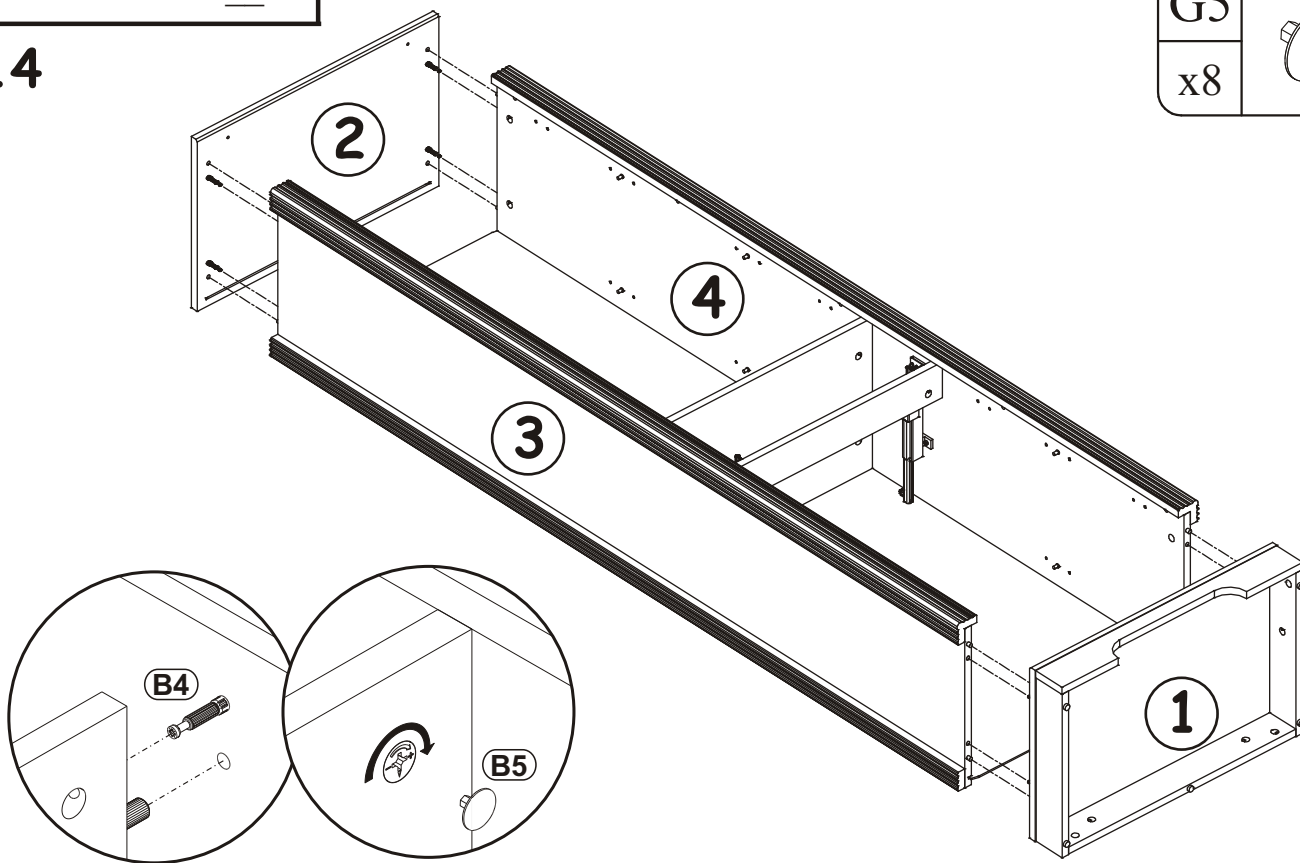


13



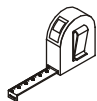
14

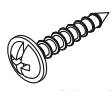
G5	
x8	

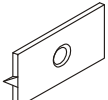


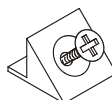
15

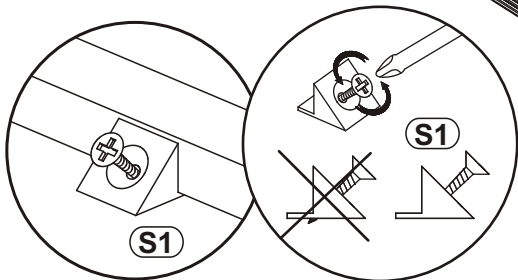
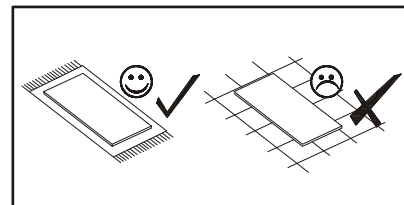
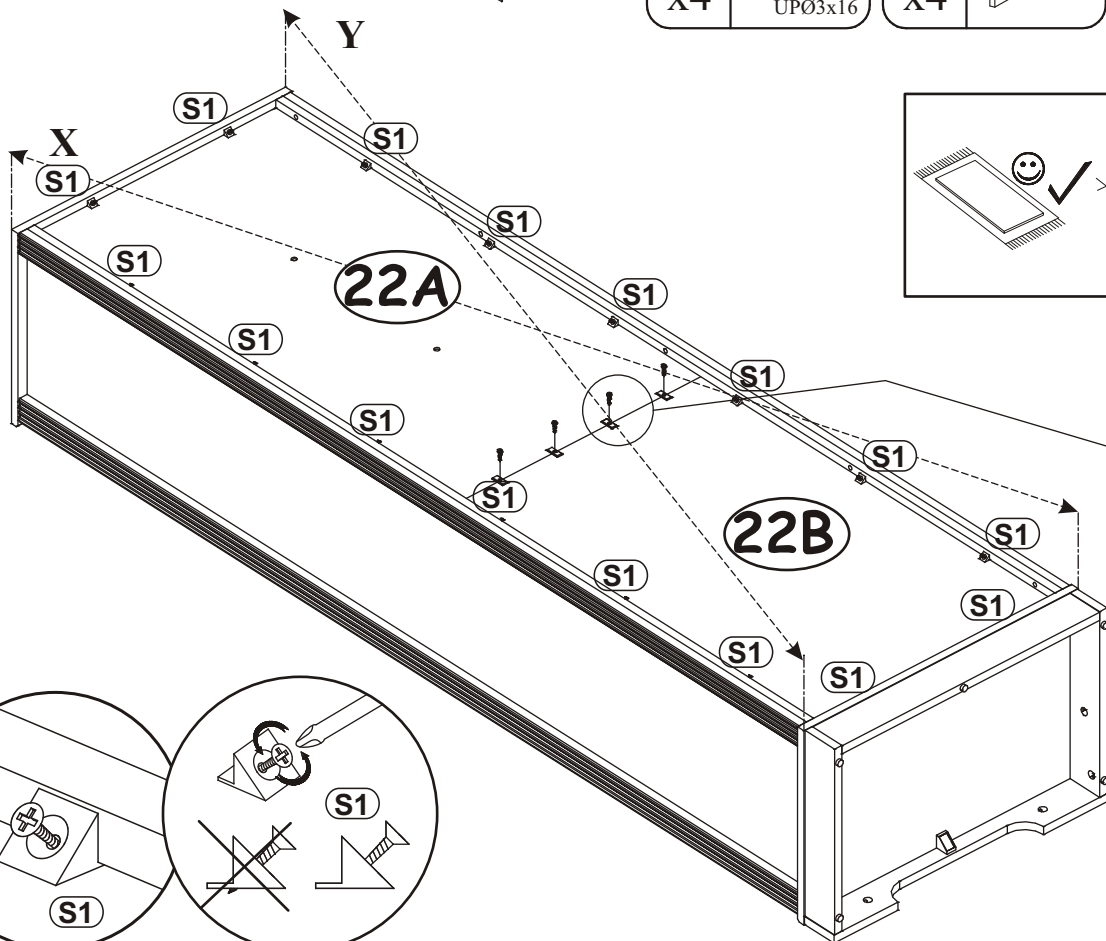
$X=Y$ 90°



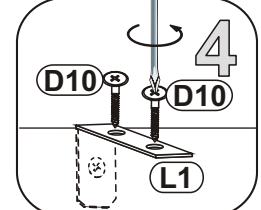
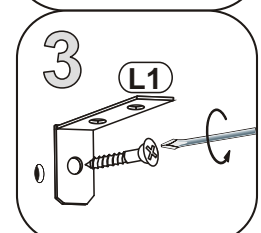
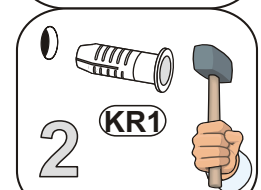
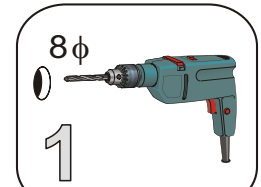
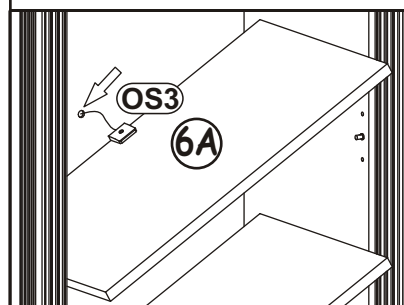
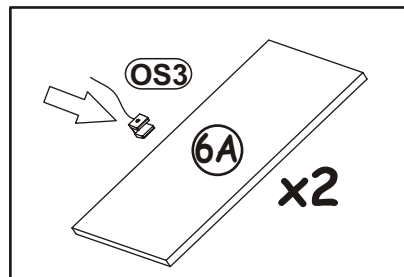
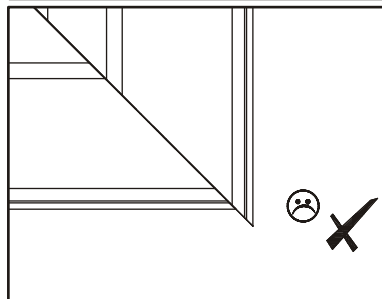
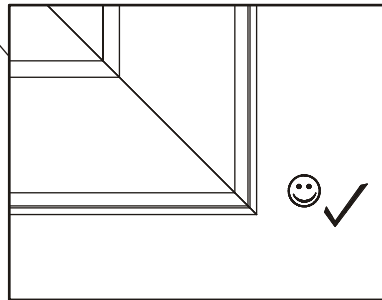
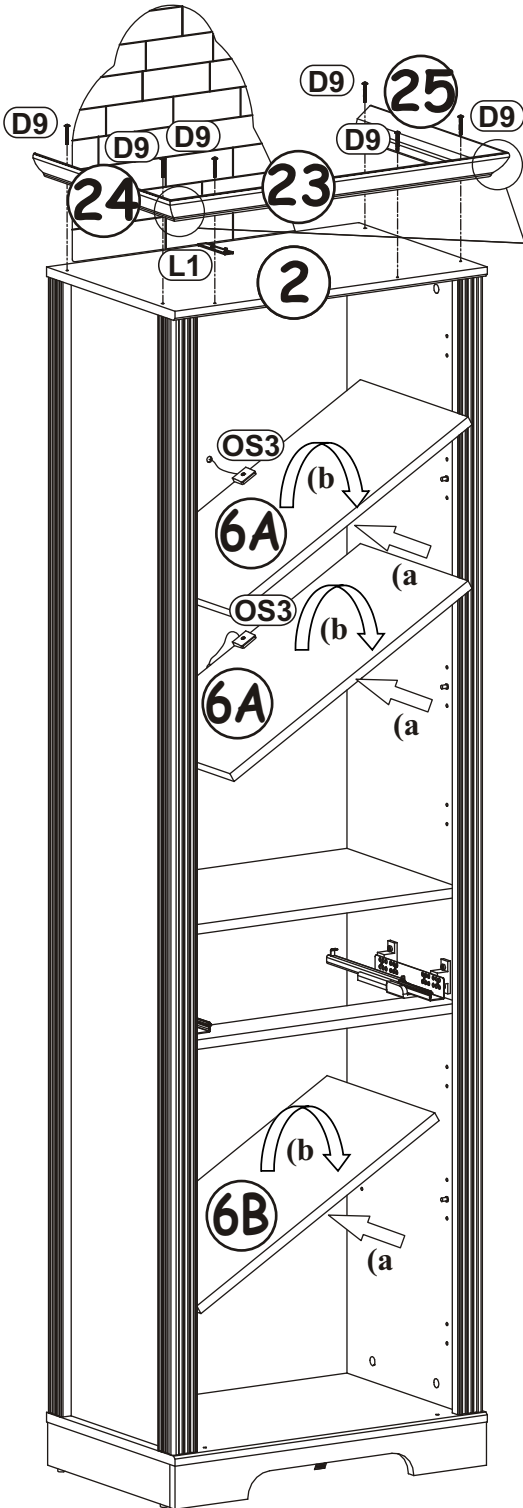
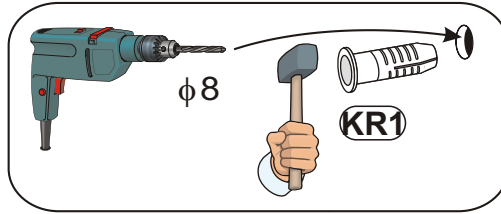
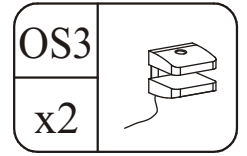
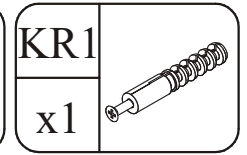
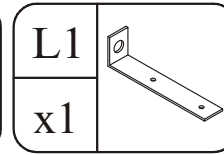
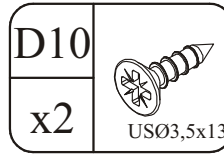
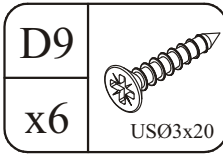
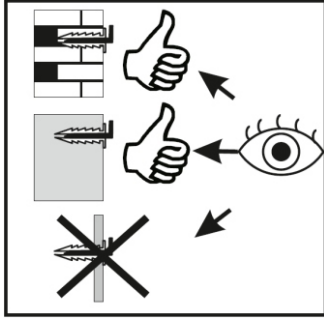
UP13	
x4	UPØ3x16

G16	
x4	

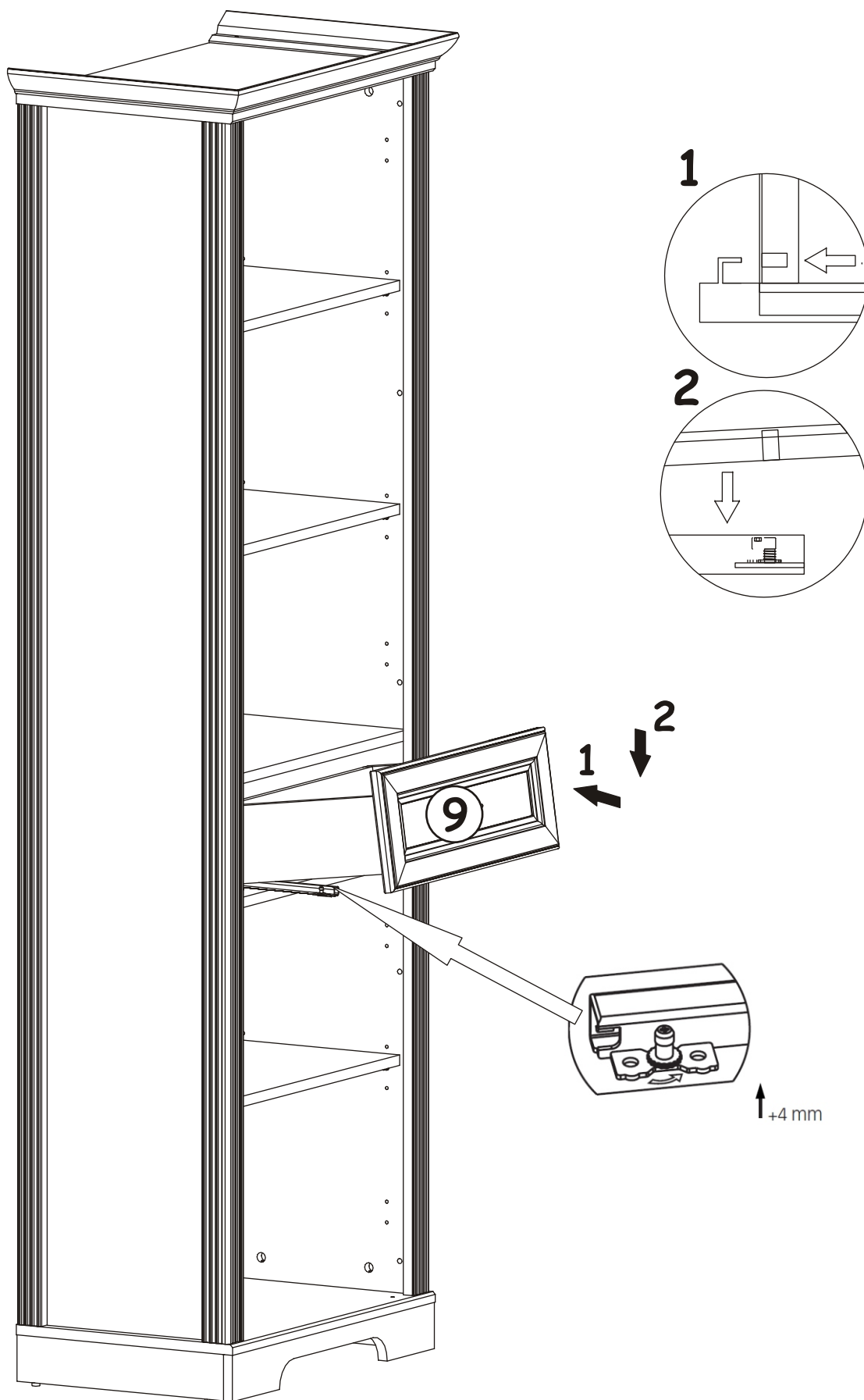
S1	
x16	



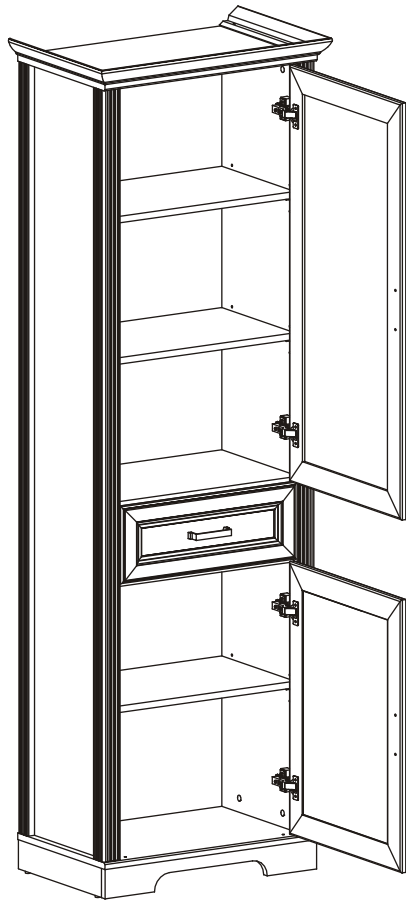
16



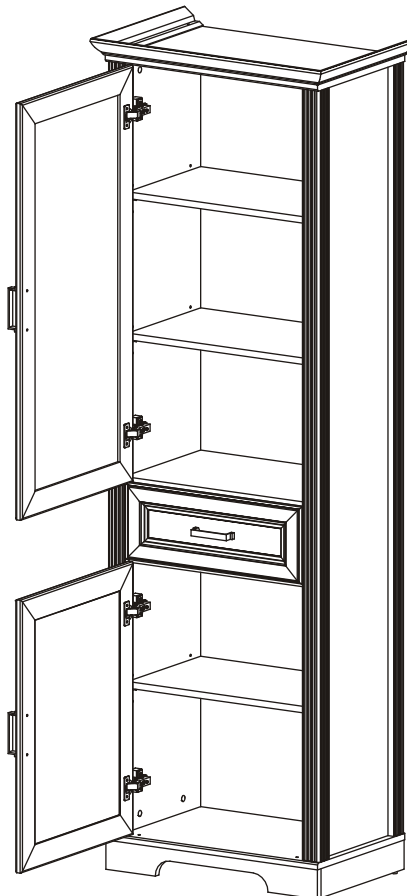
17



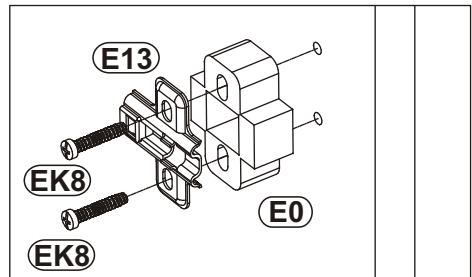
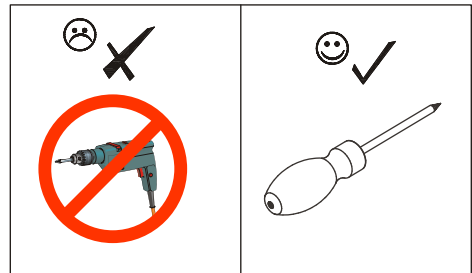
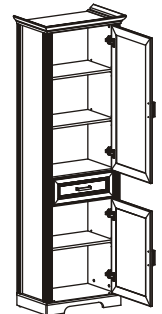
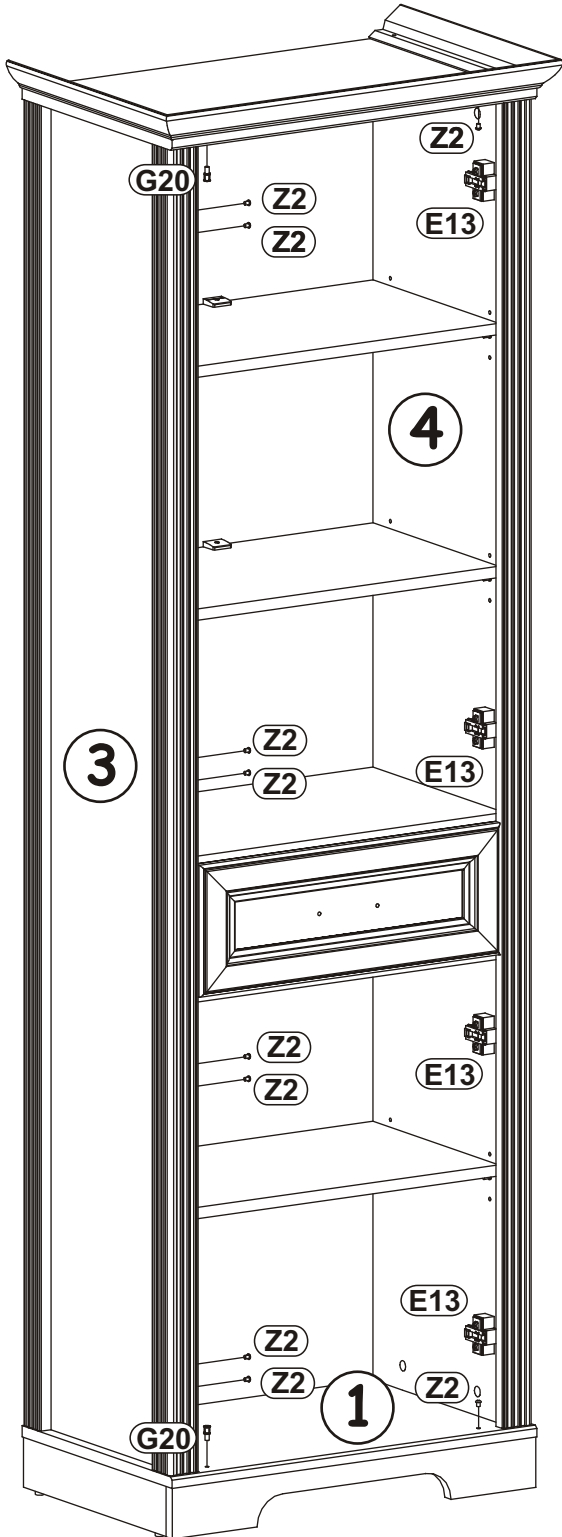
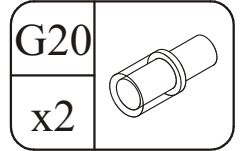
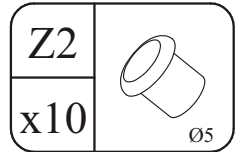
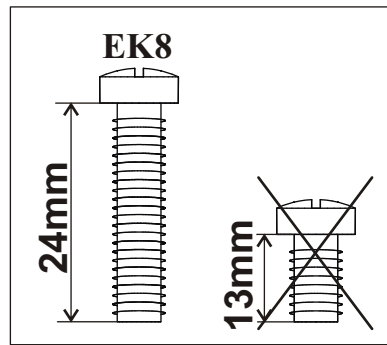
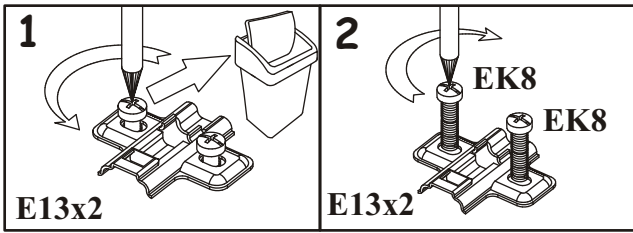
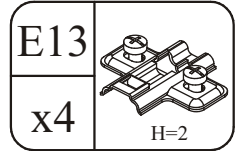
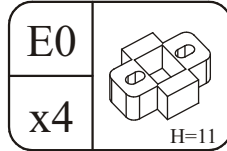
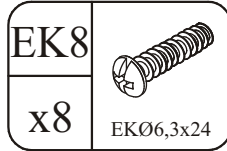
18 - 20



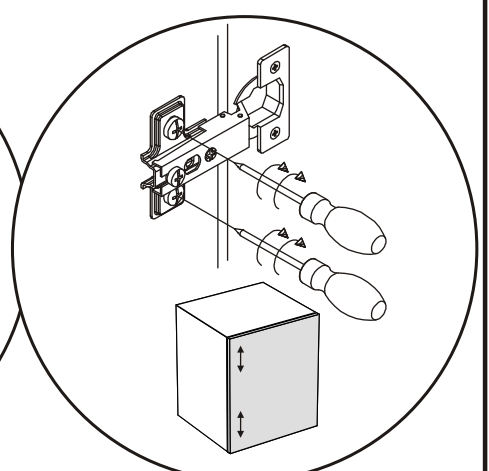
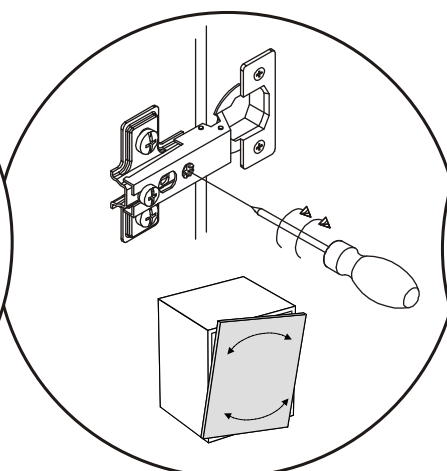
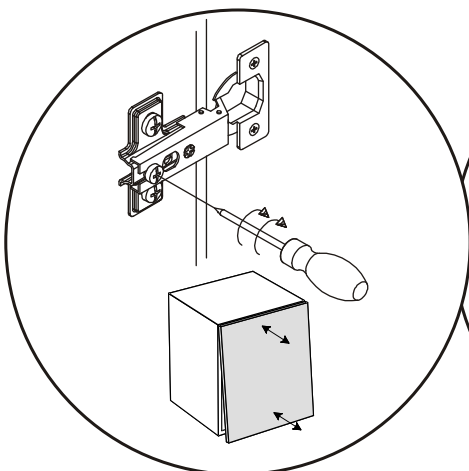
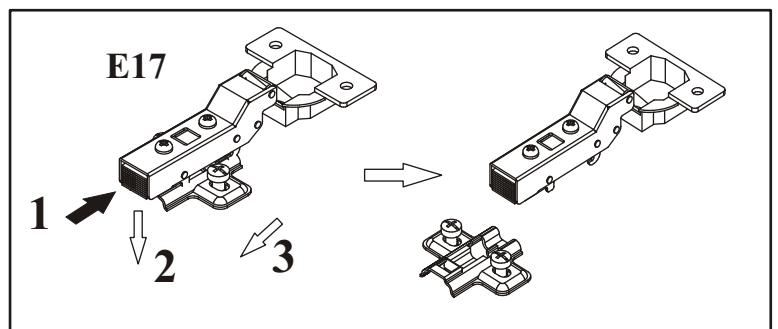
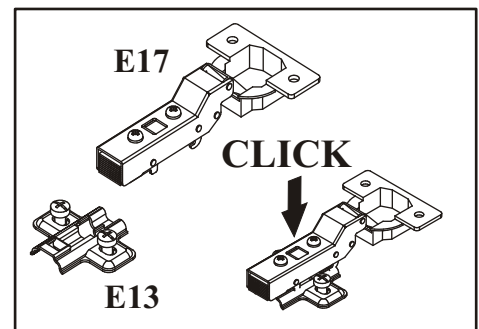
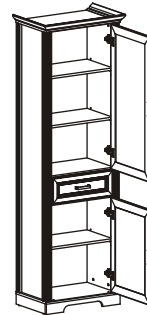
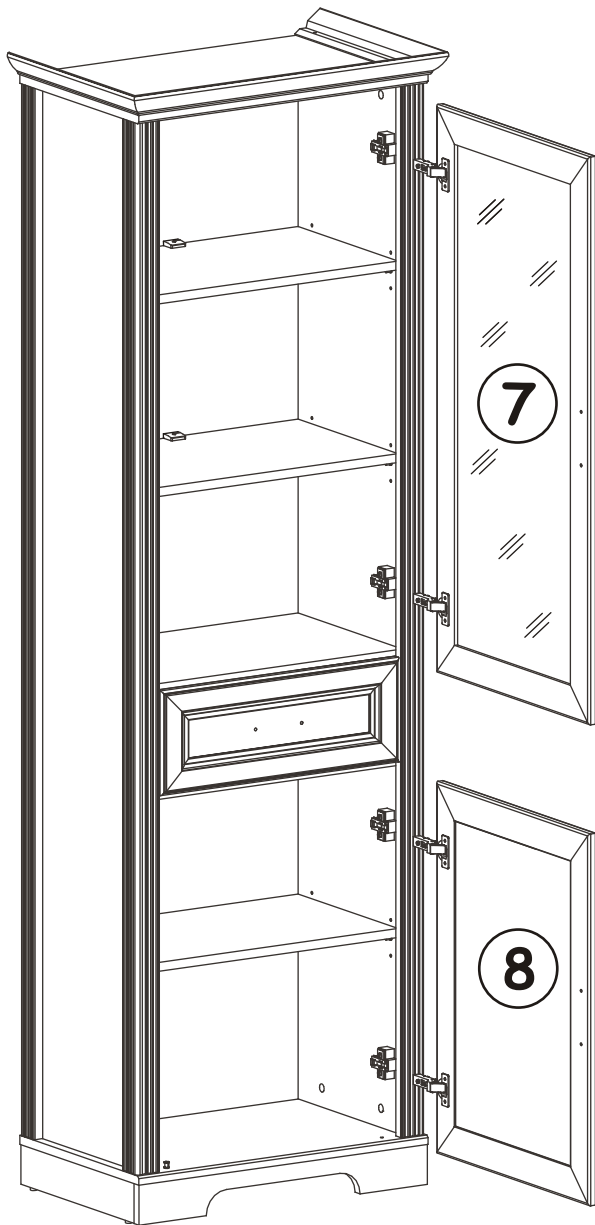
21 - 23

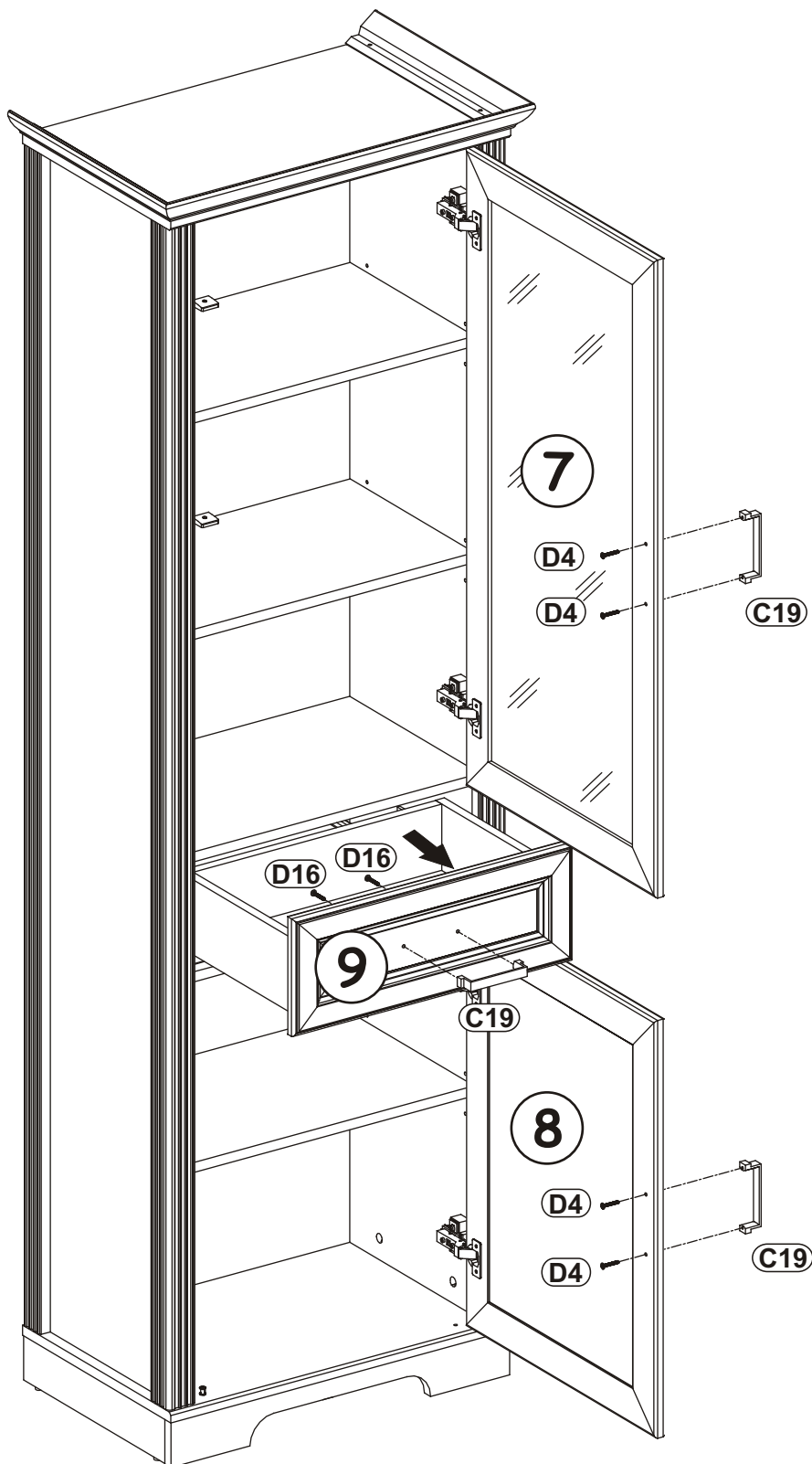
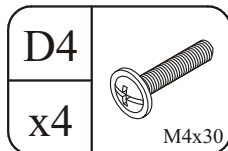
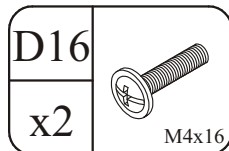
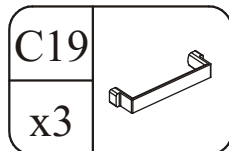


18

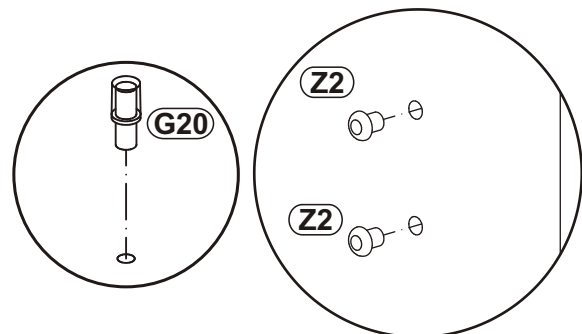
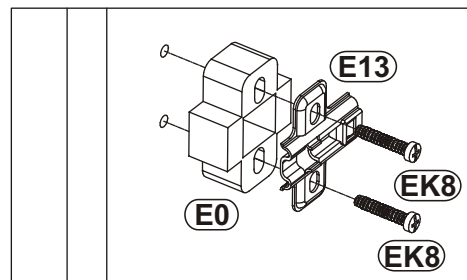
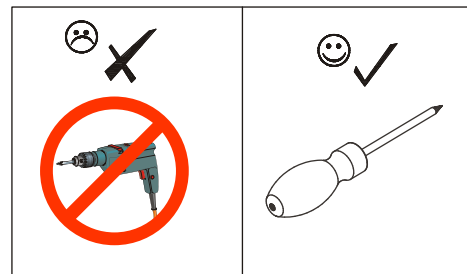
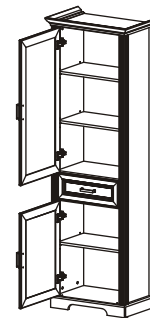
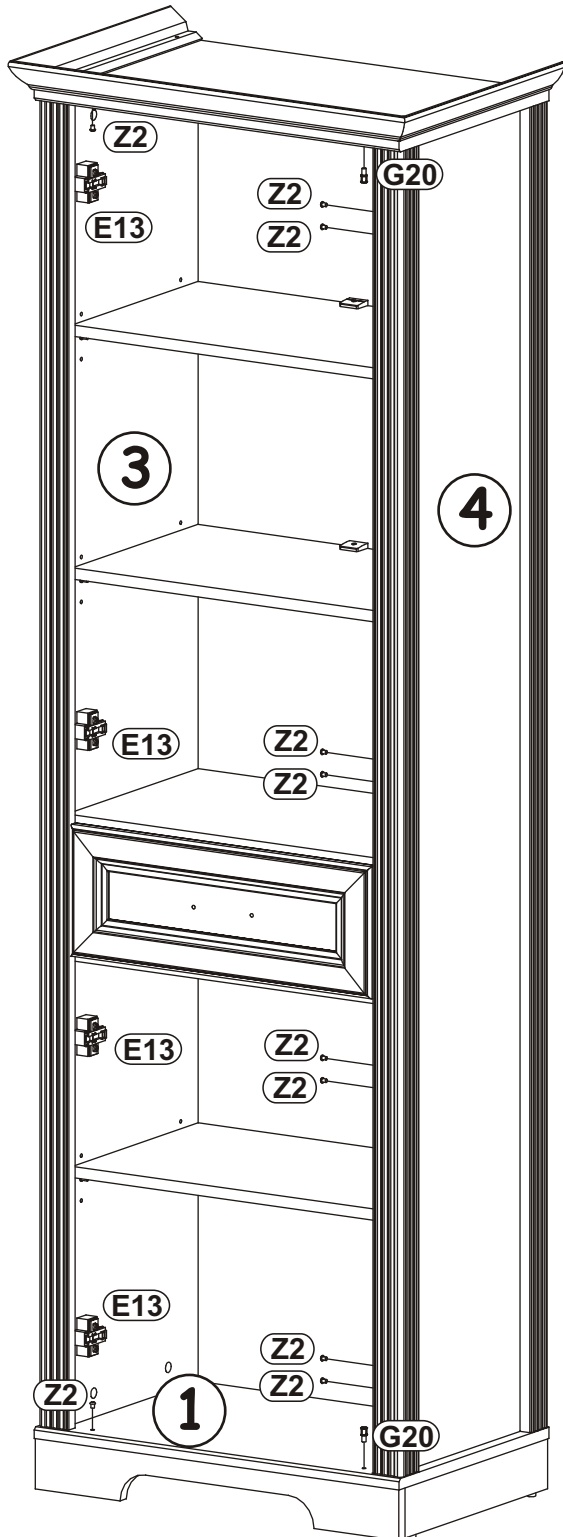
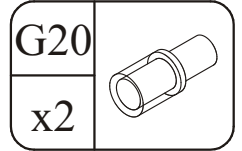
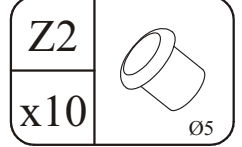
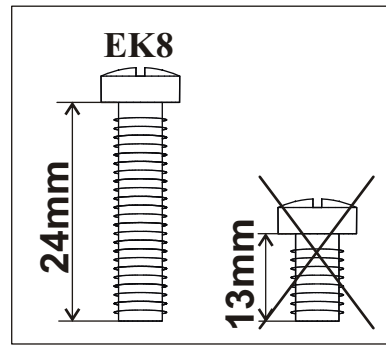
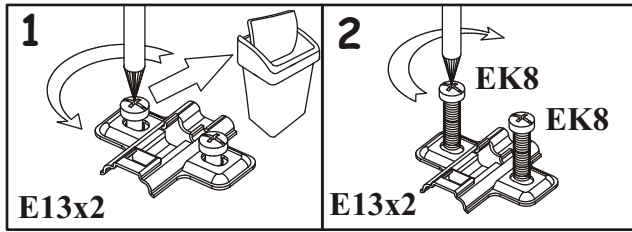
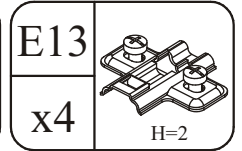
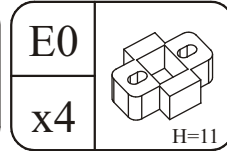
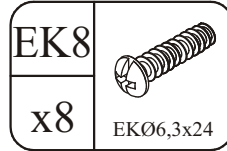


19

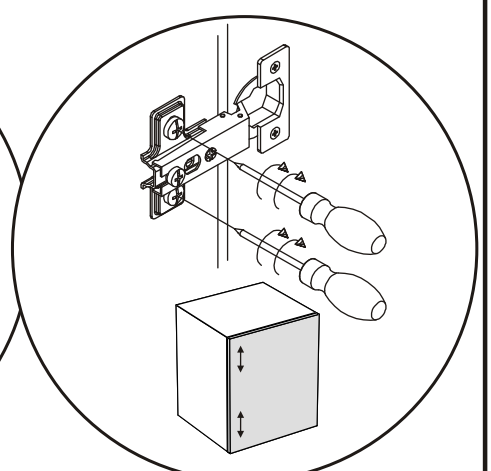
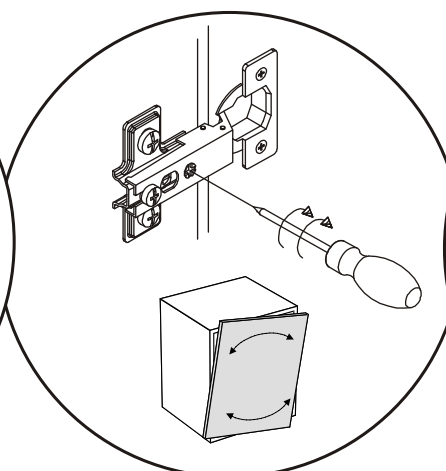
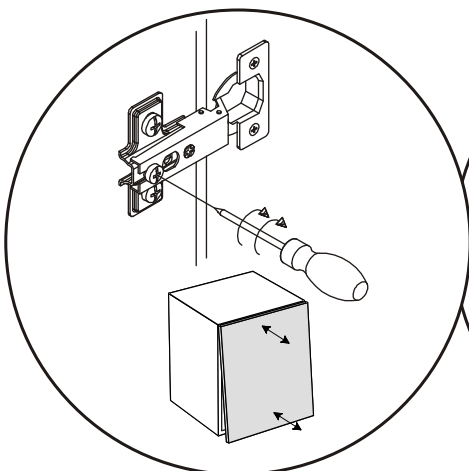
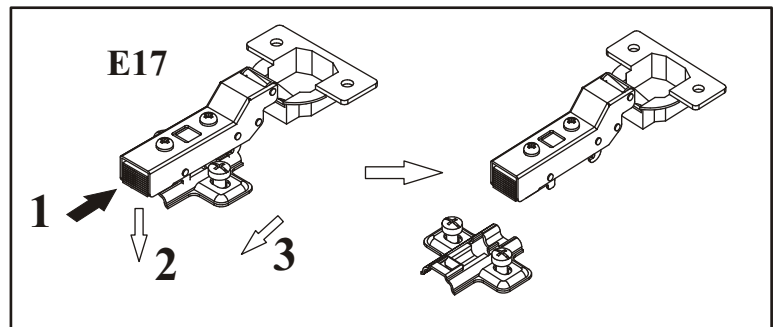
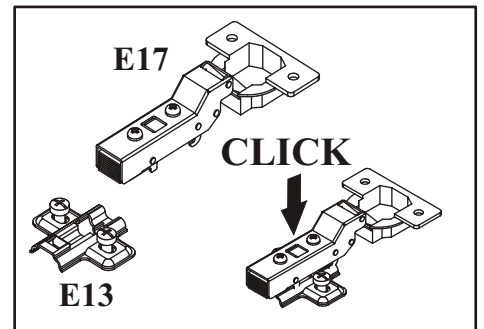
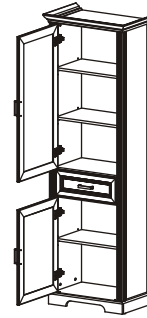
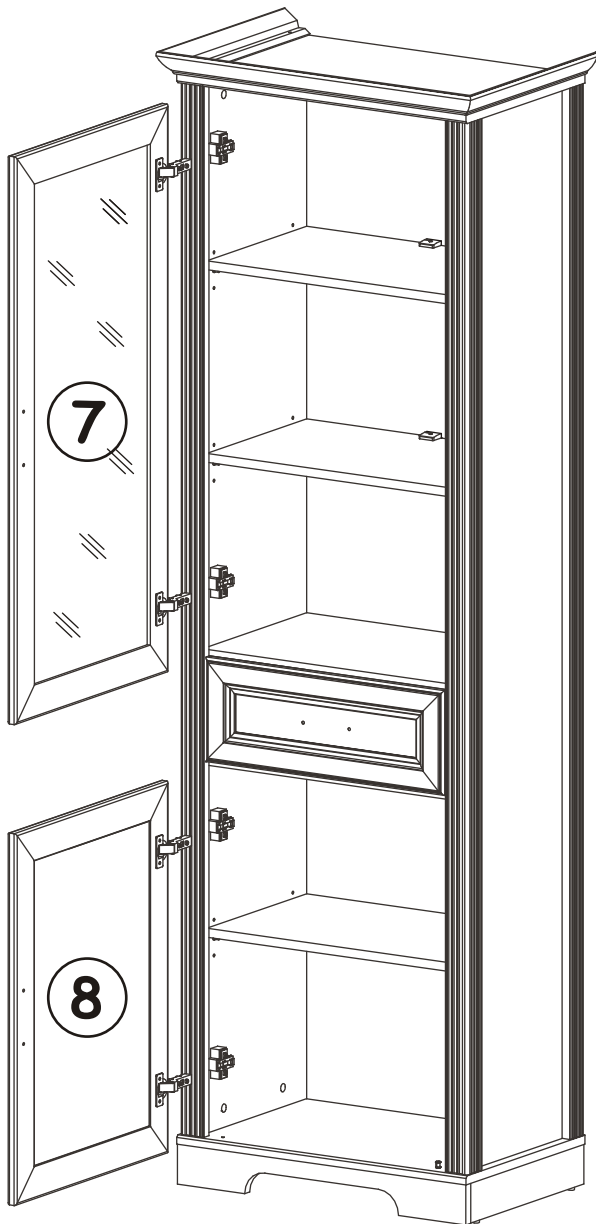


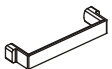
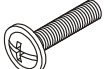
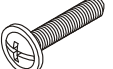


21



22



C19		D16		D4	
x3		x2	M4x16	x4	M4x30

