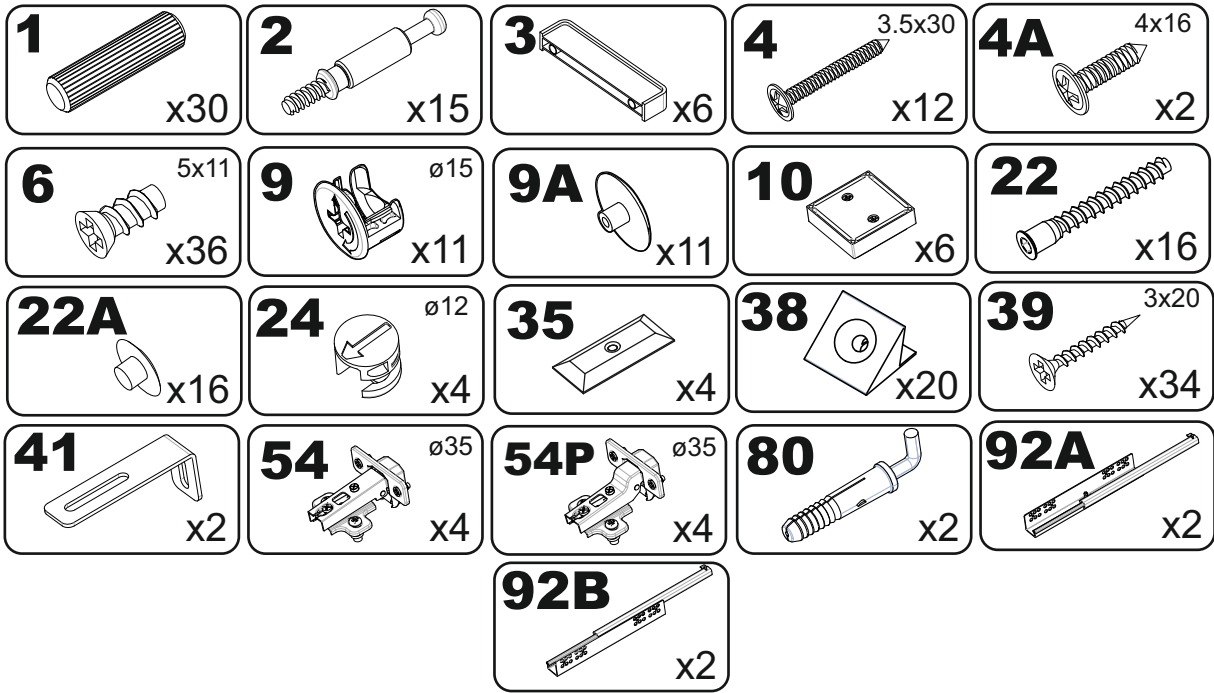
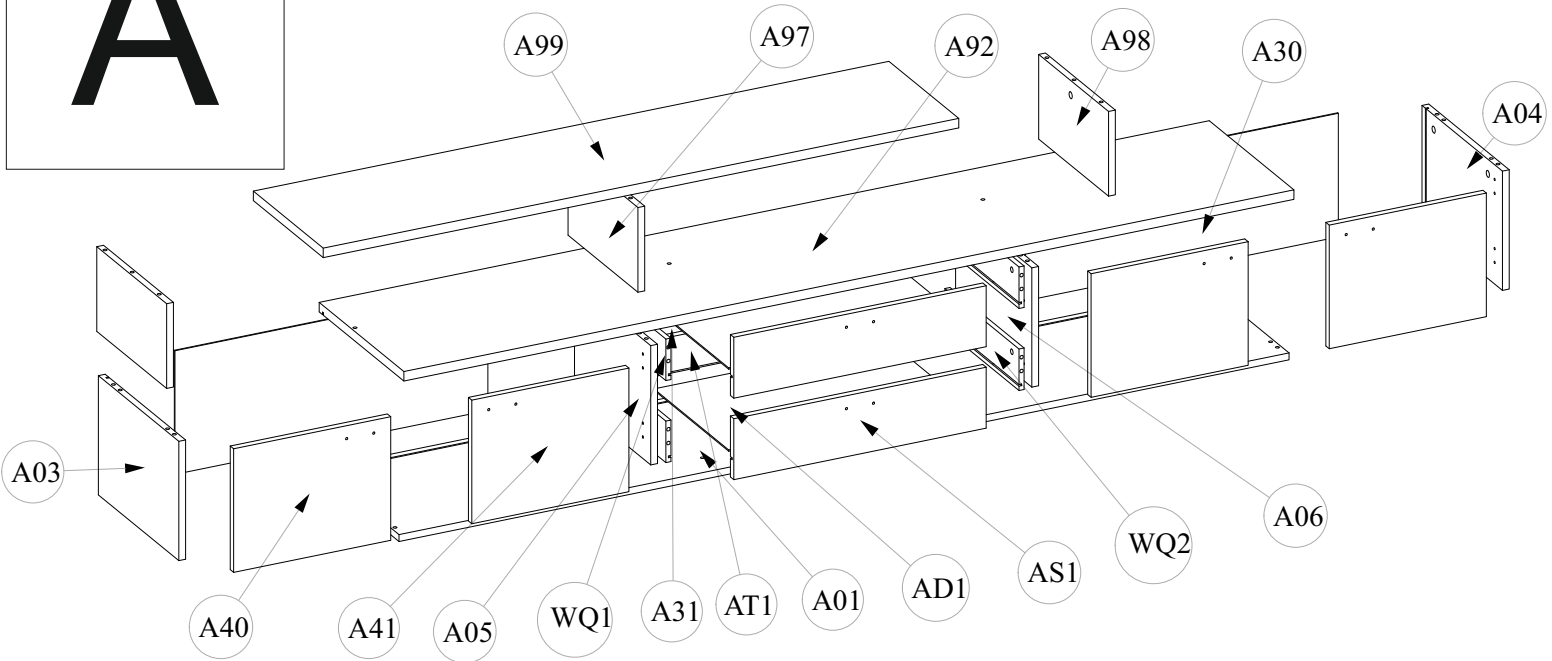
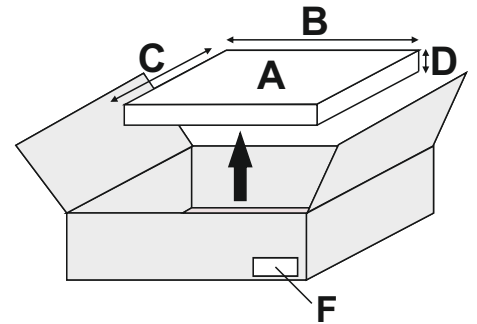


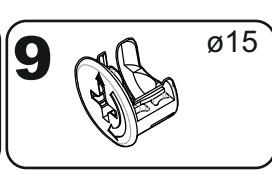
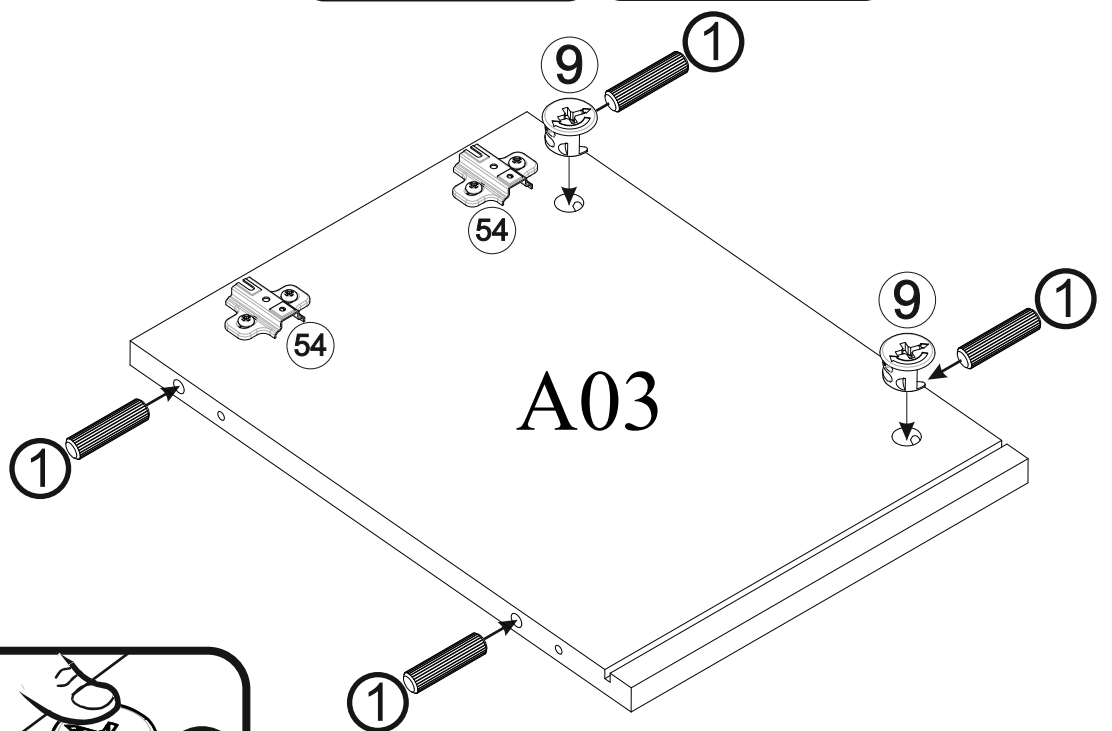
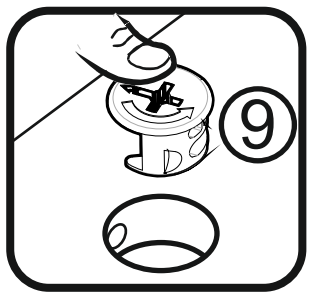
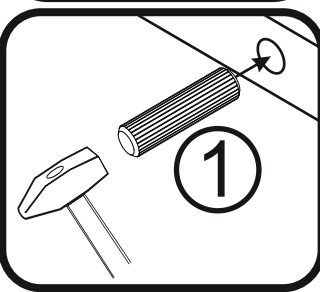
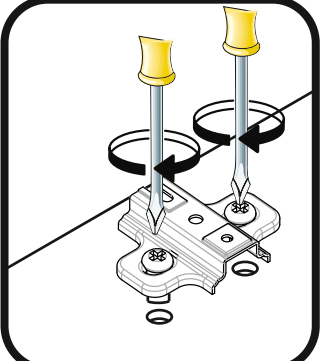
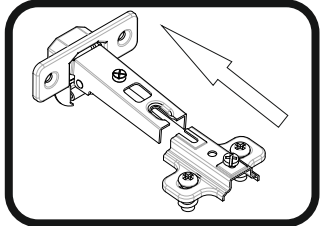
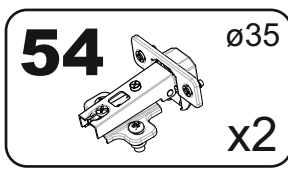
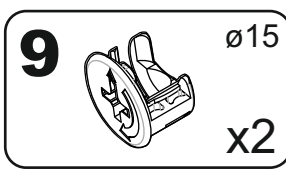
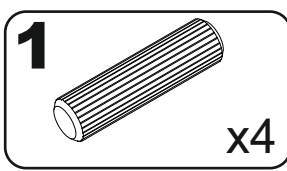
A



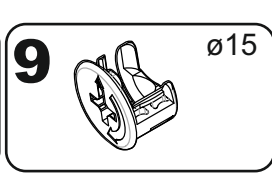
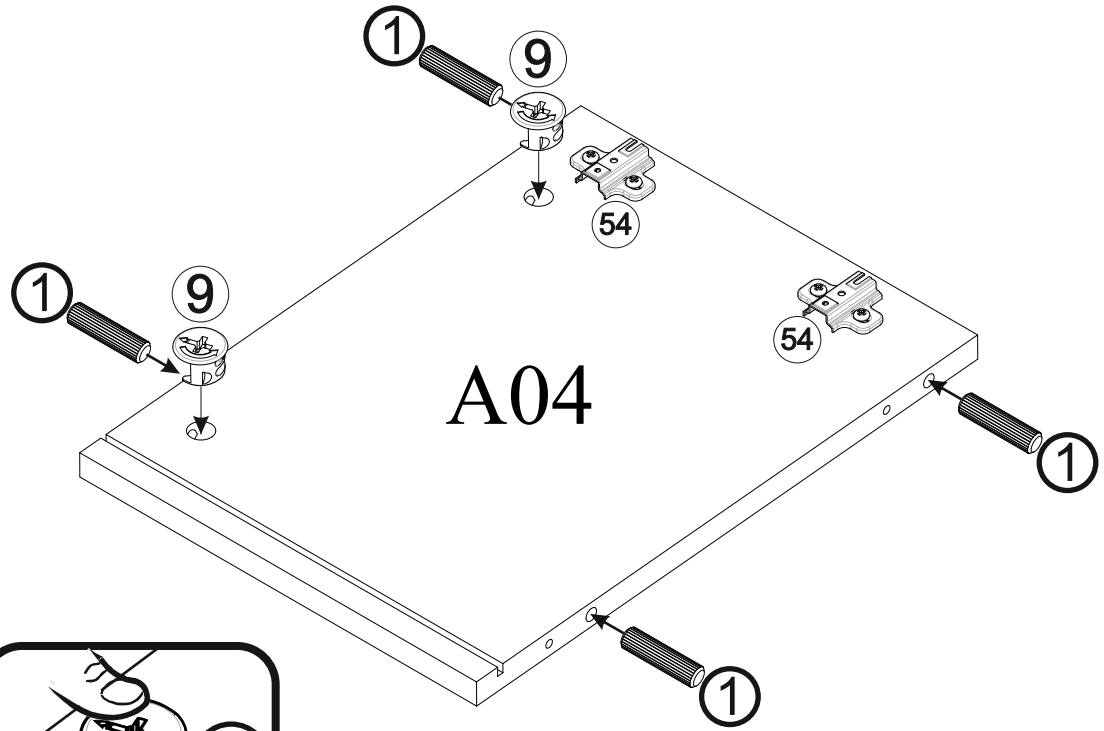
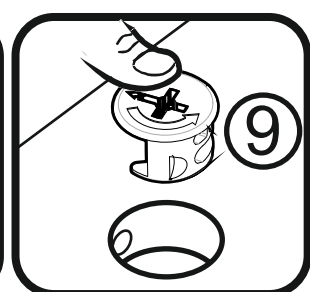
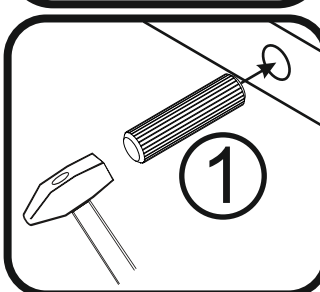
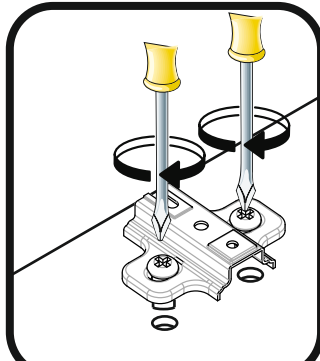
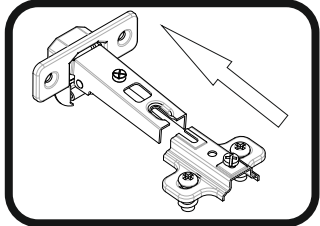
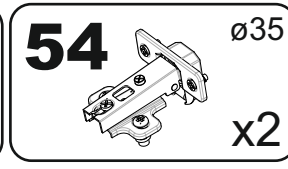
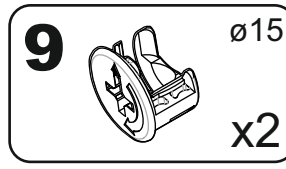
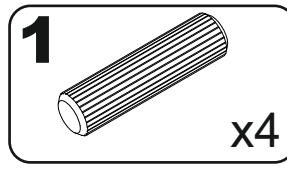
A	B_(mm)	C_(mm)	D_(mm)		F
A01	2102	380	16	x1	46
A02	2102	400	22	x1	46
A03	276	380	16	x1	56
A04	276	380	16	x1	56
A05	276	360	16	x1	56
A06	276	360	16	x1	56
A07	196	334	16	x2	56
A08	196	334	16	x1	56
A09	1501	334	22	x1	56
A30	286	739	3	x2	46
A31	286	600	3	x1	46
A40	371	286	16	x2	46
A41	371	286	16	x2	46
AD1	554	353	3	x2	56
AS1	596	141	16	x2	46
AT1	544	81	16	x2	56
WQ1	350	96	12	x2	56
WQ2	350	96	12	x2	56



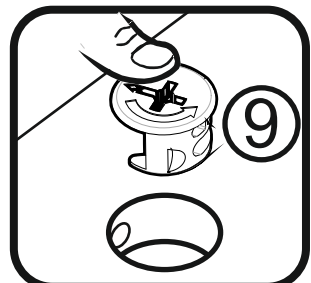
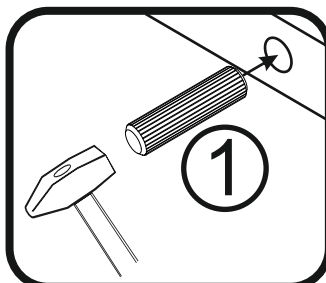
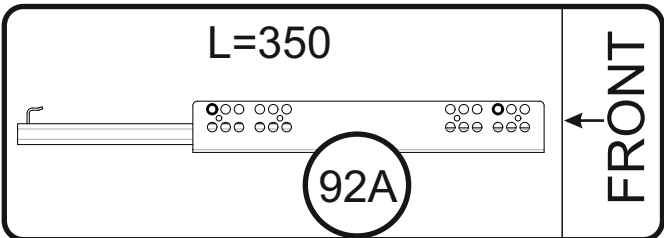
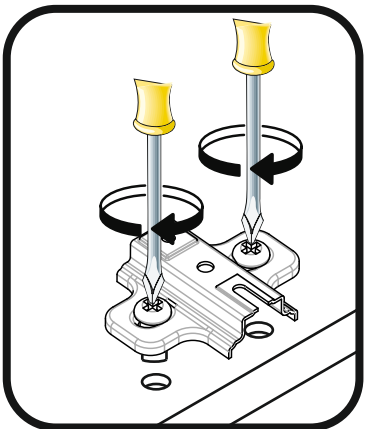
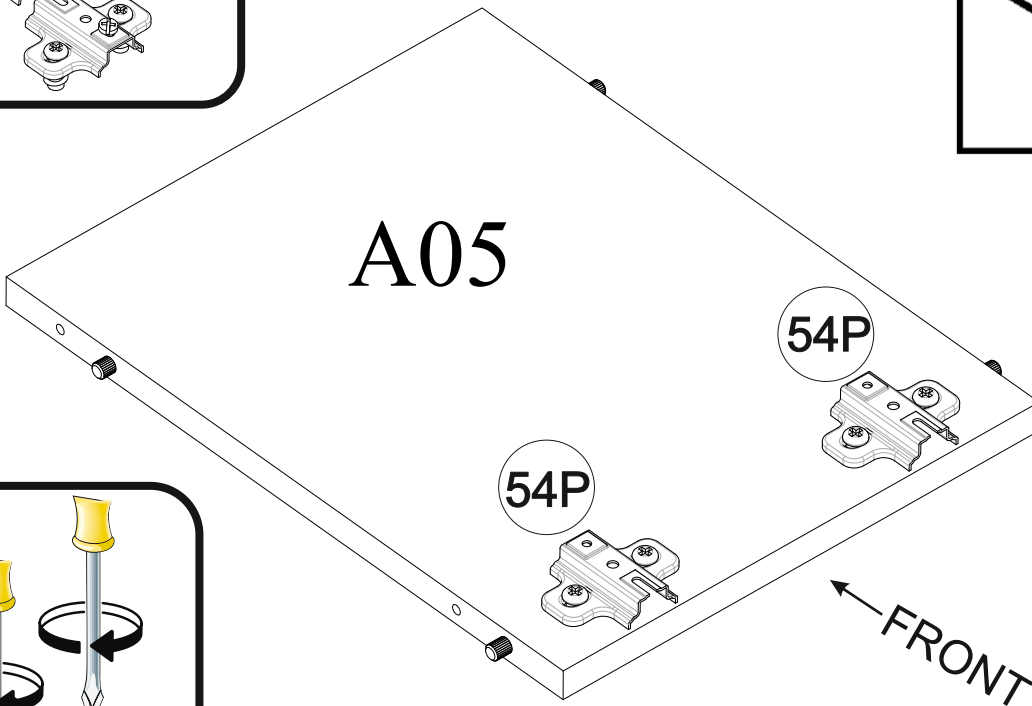
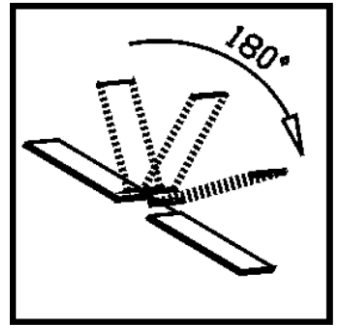
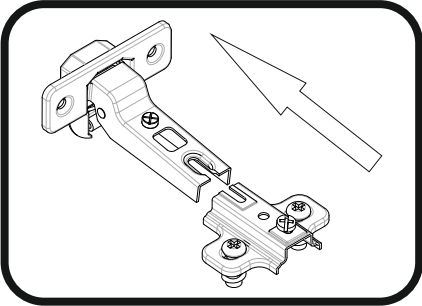
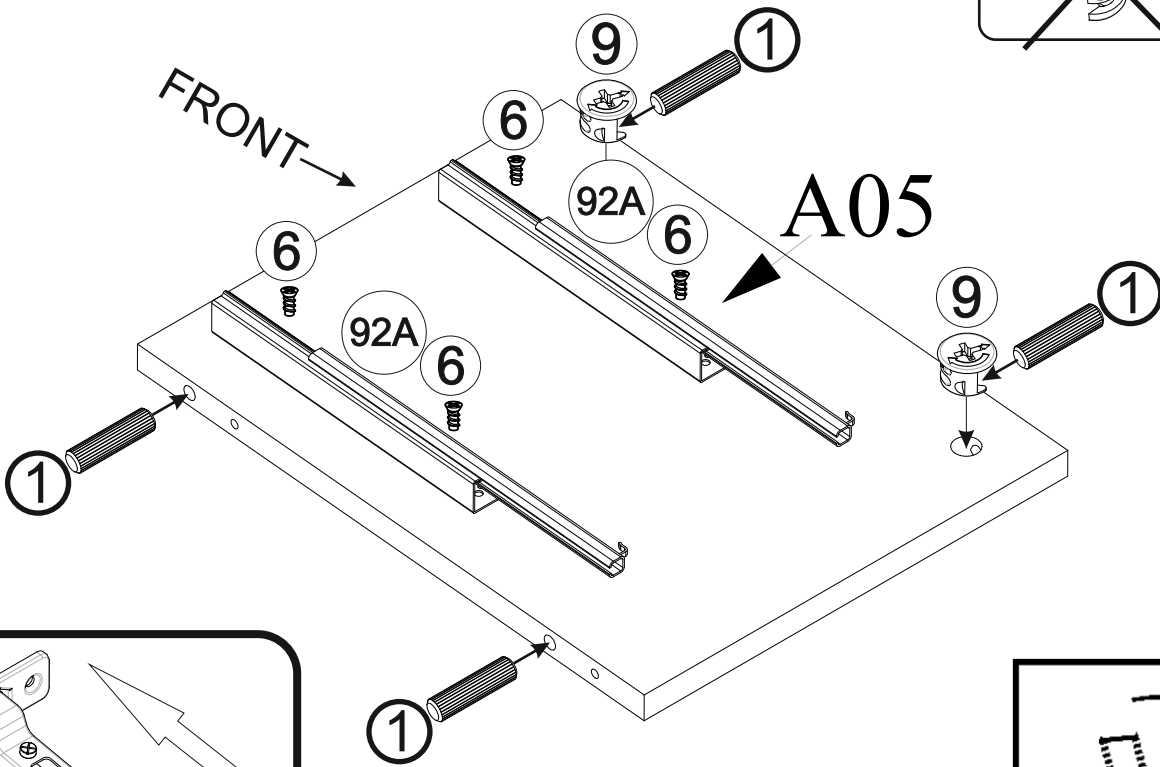
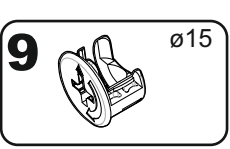
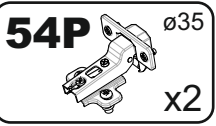
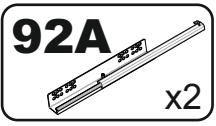
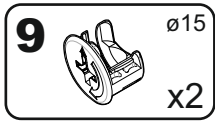
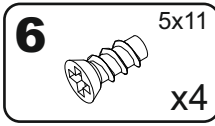
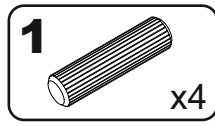
1



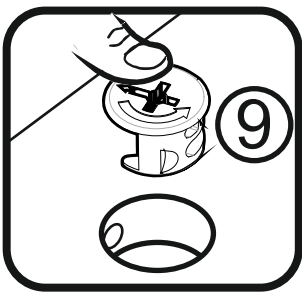
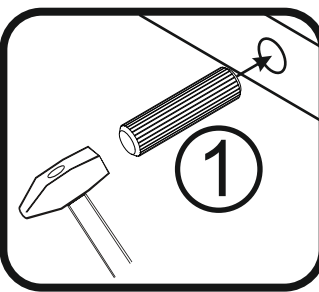
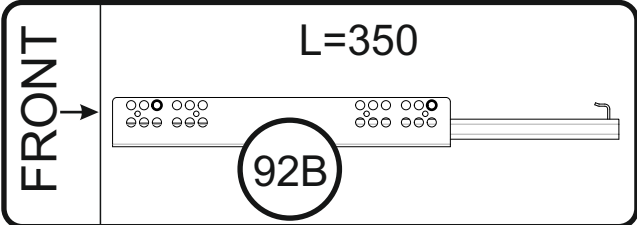
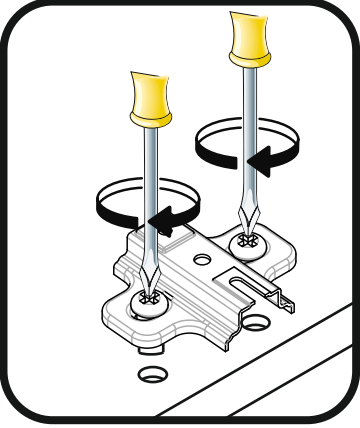
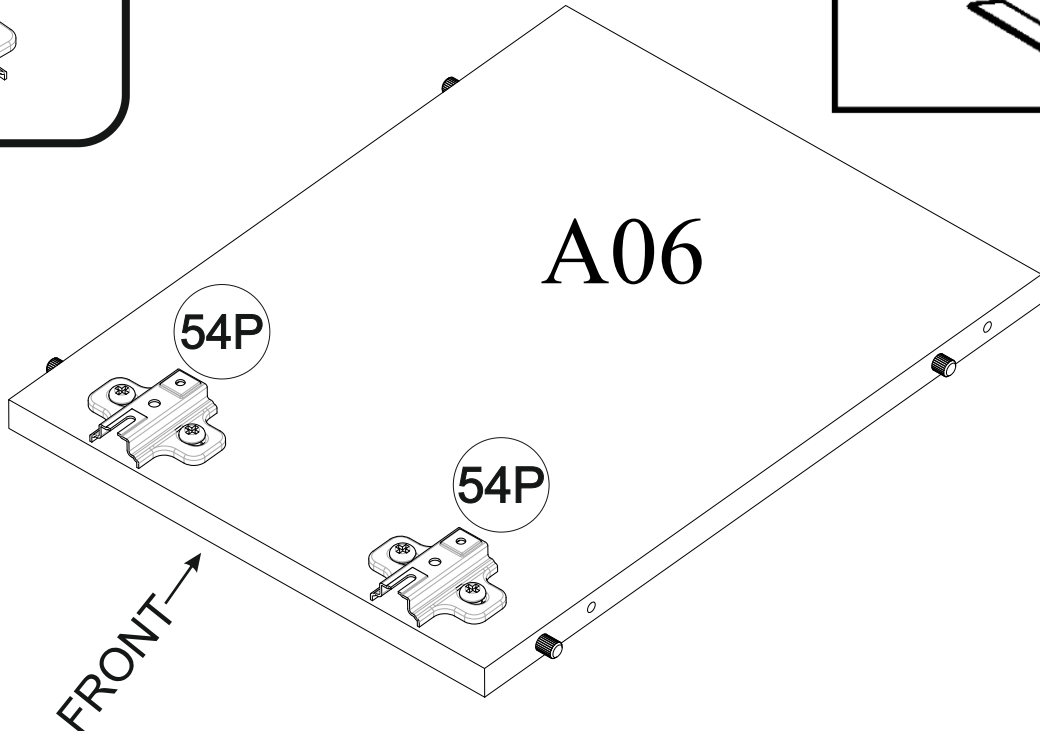
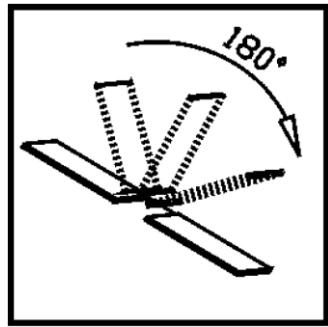
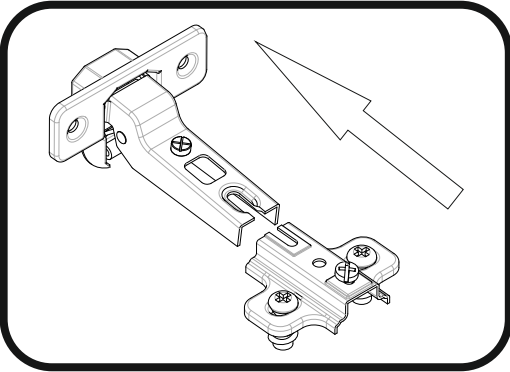
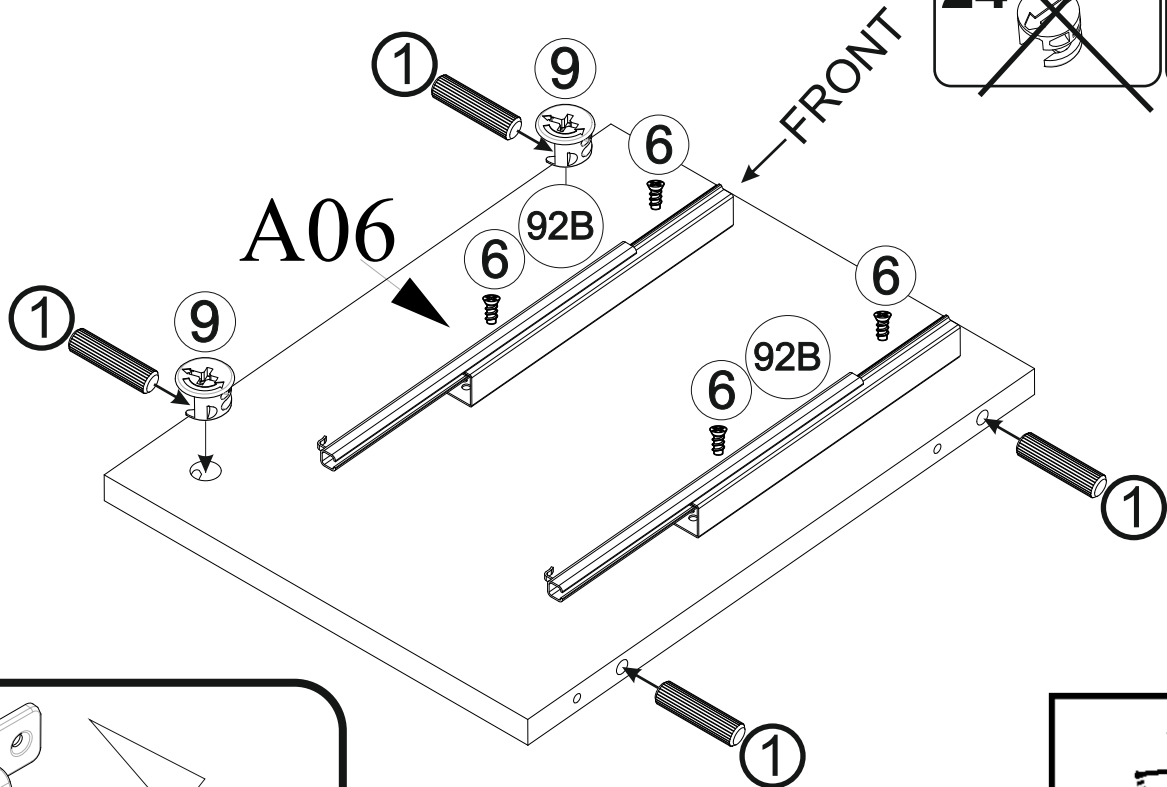
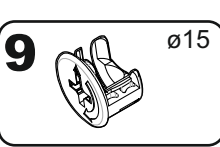
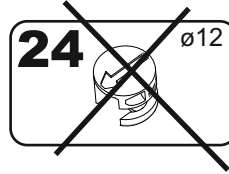
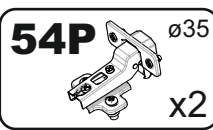
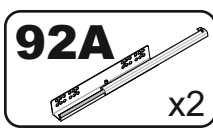
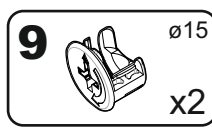
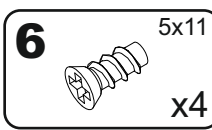
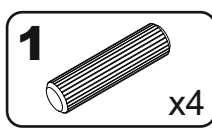
2



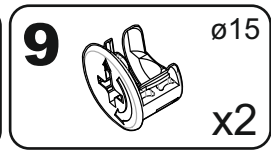
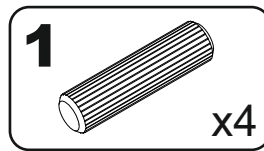
3



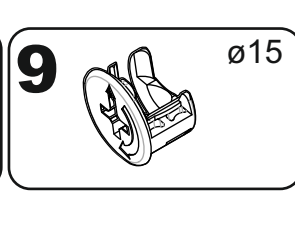
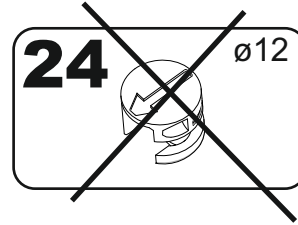
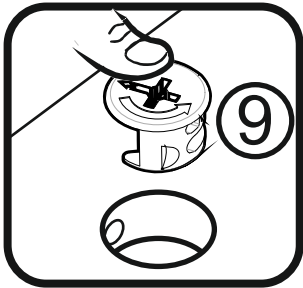
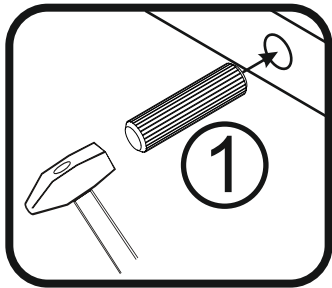
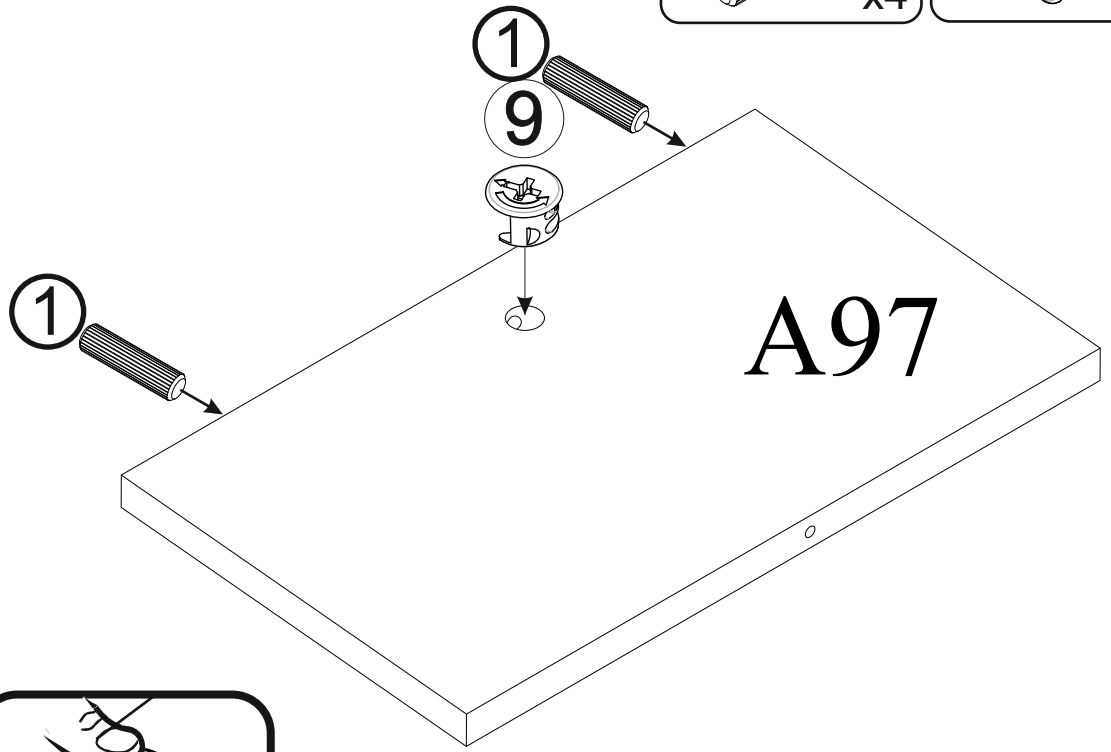
4



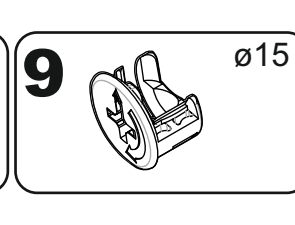
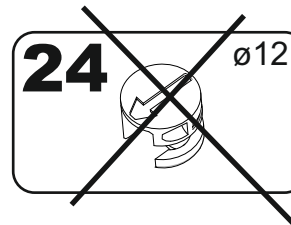
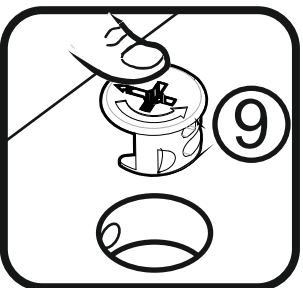
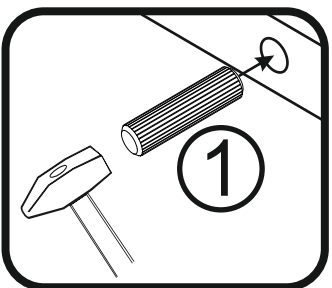
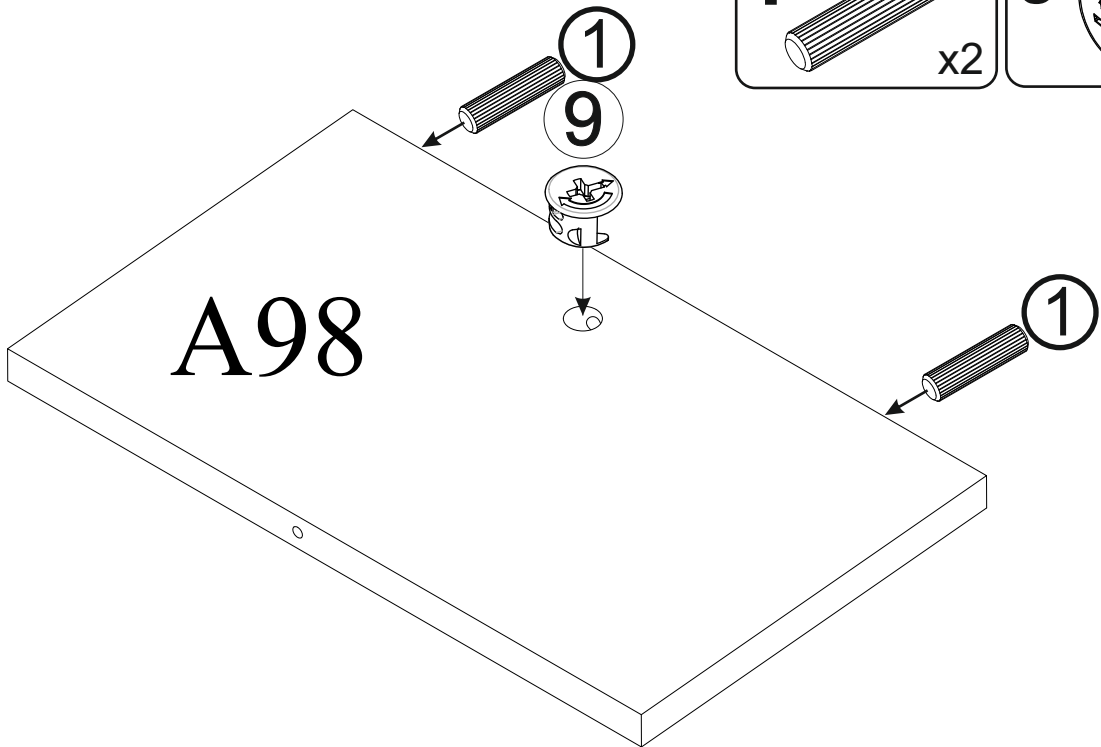
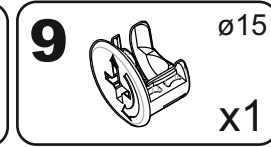
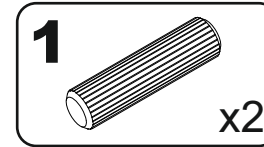
5



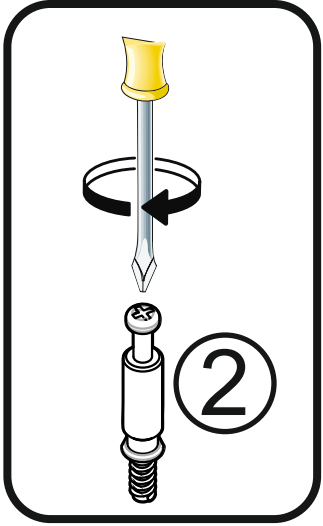
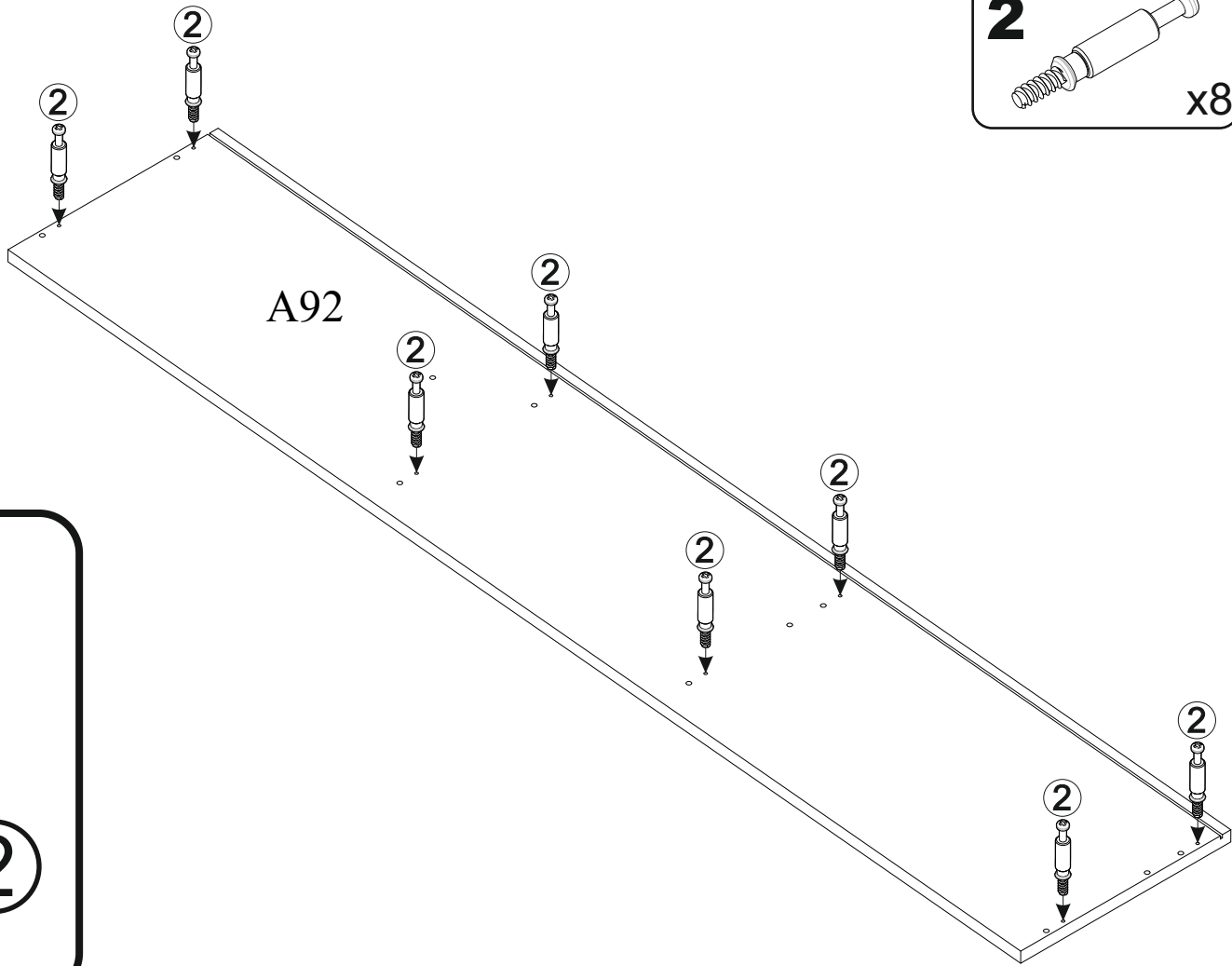
2x



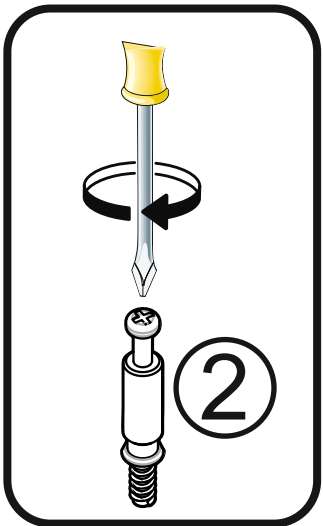
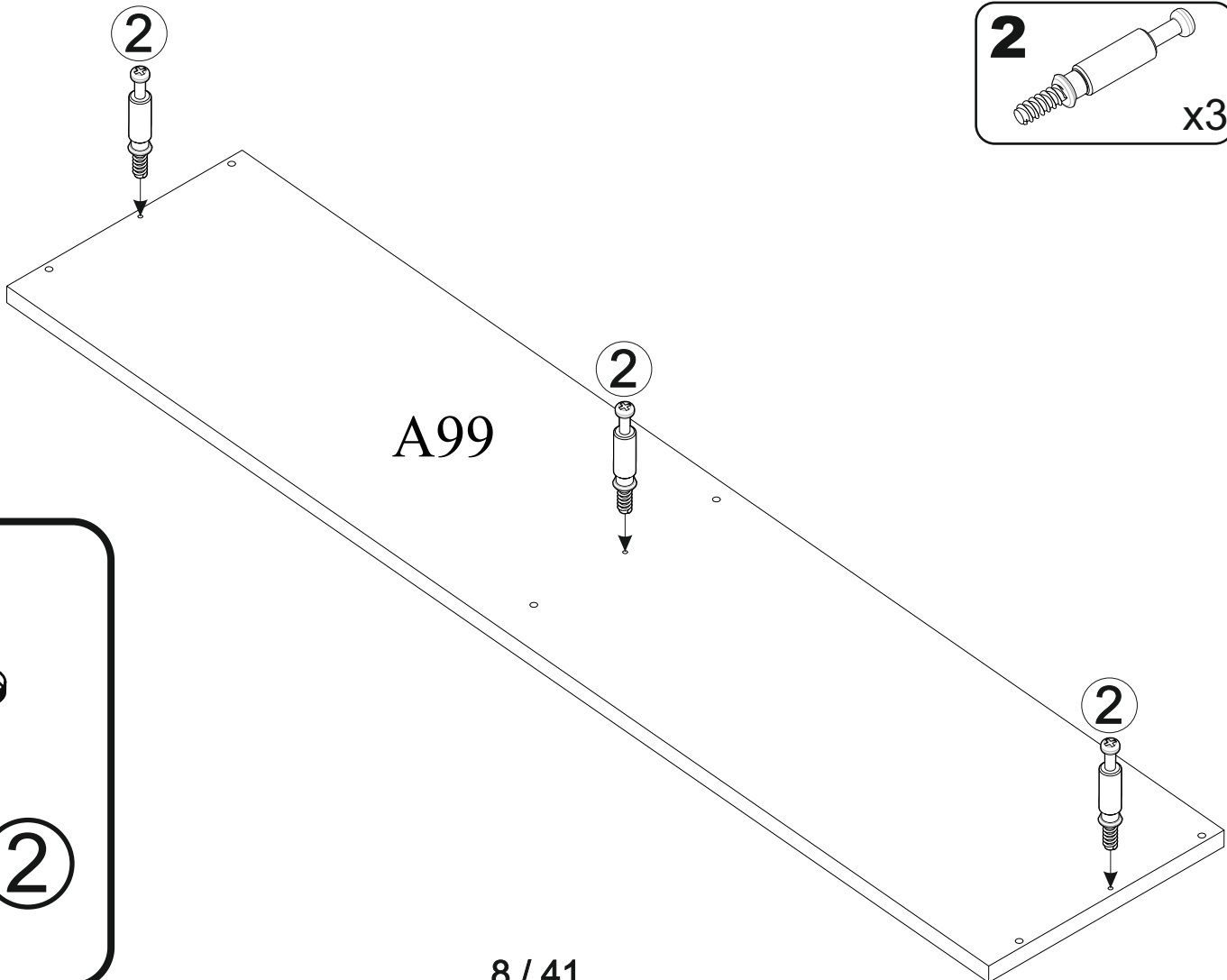
6



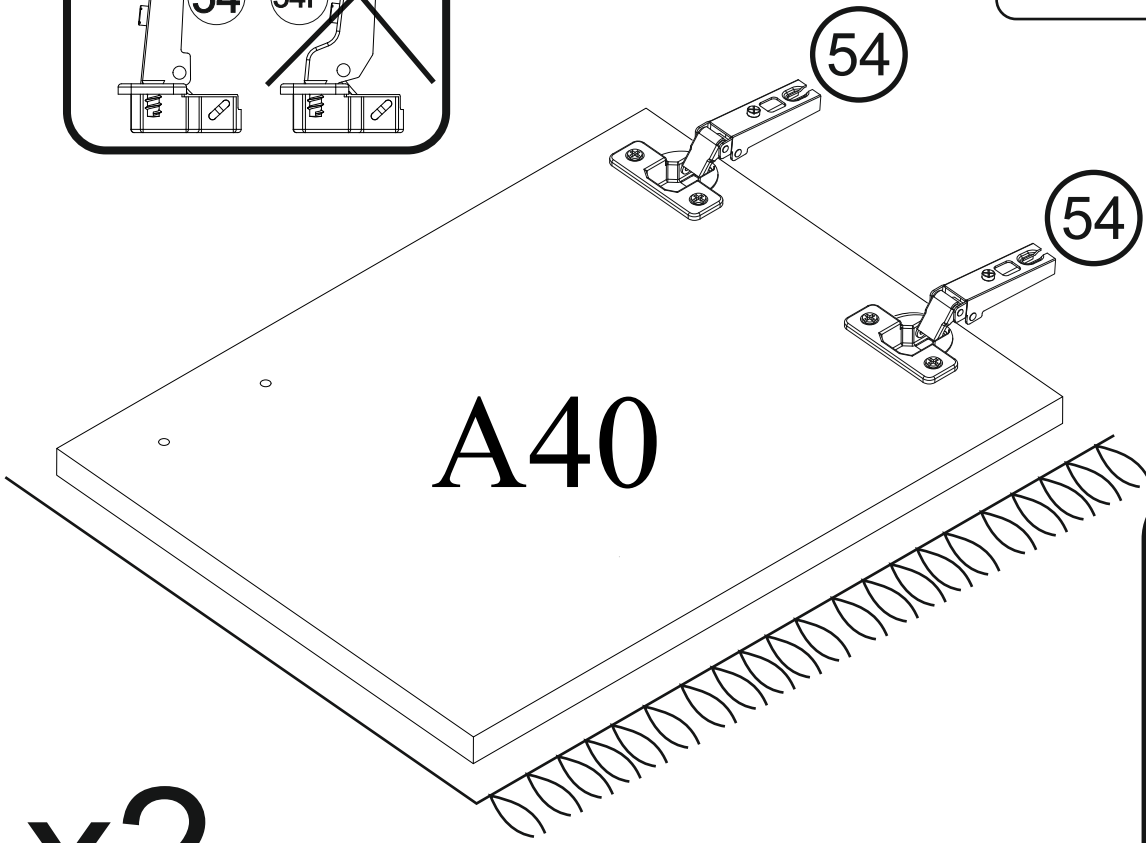
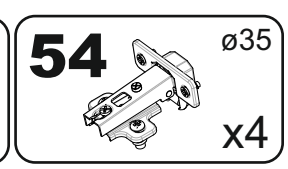
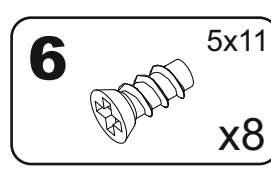
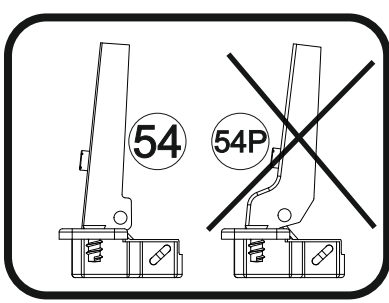
7



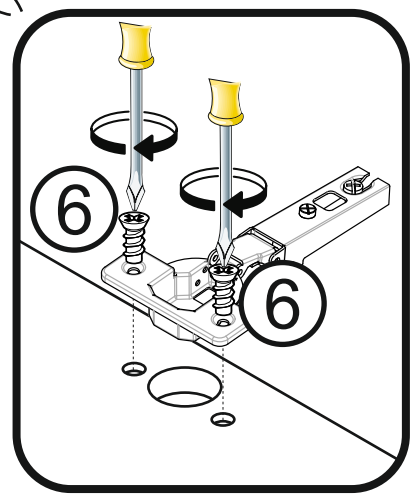
8



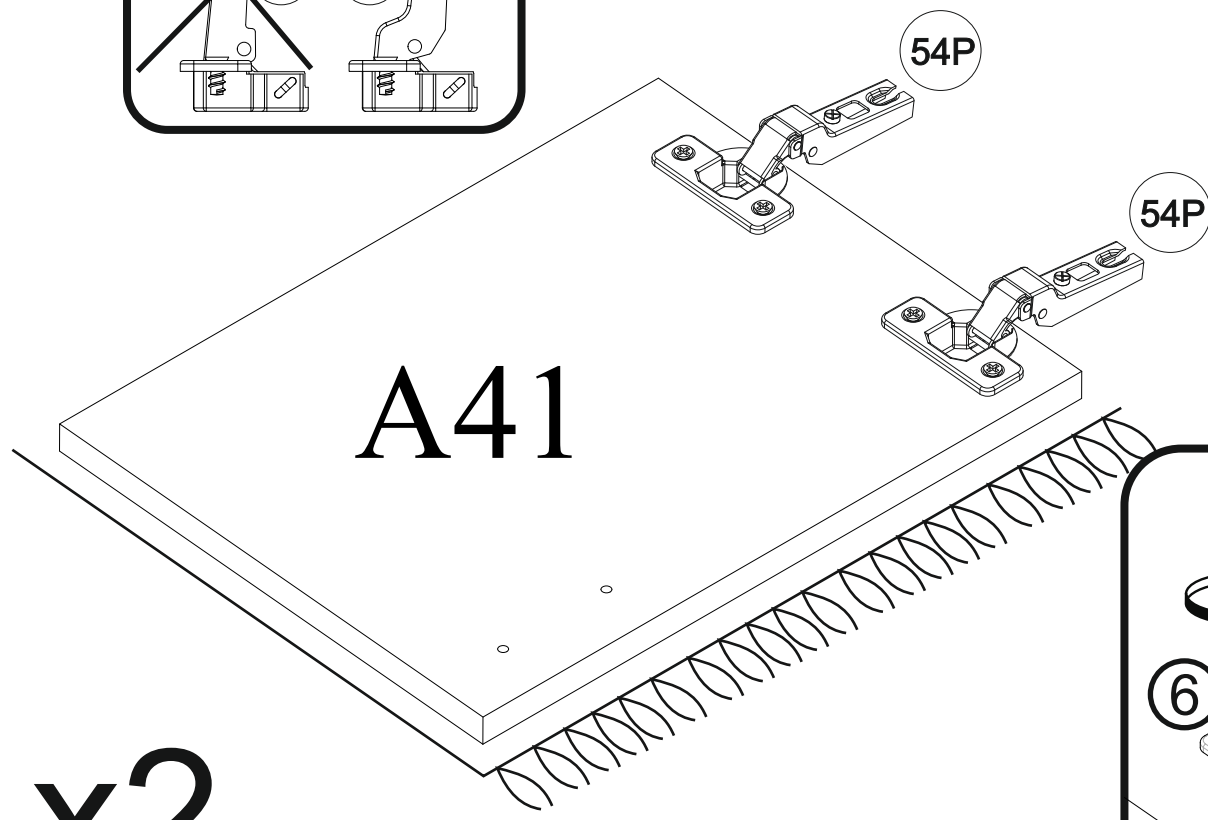
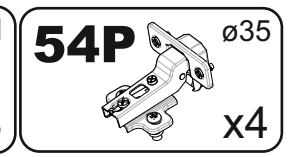
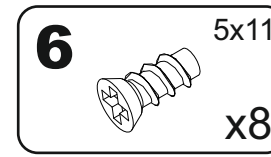
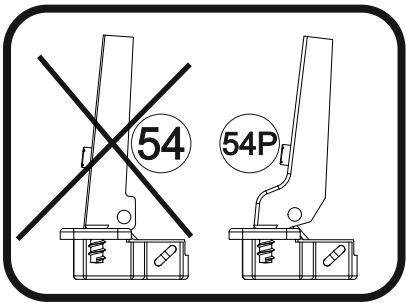
9



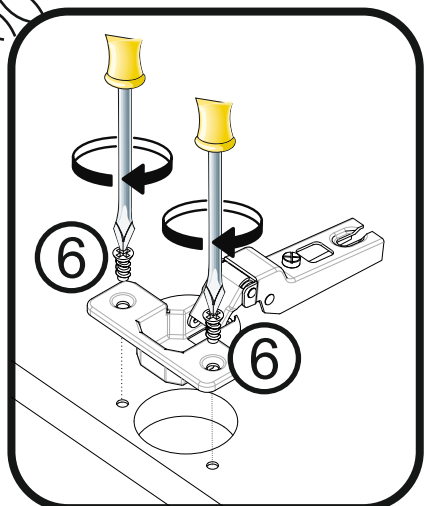
x2



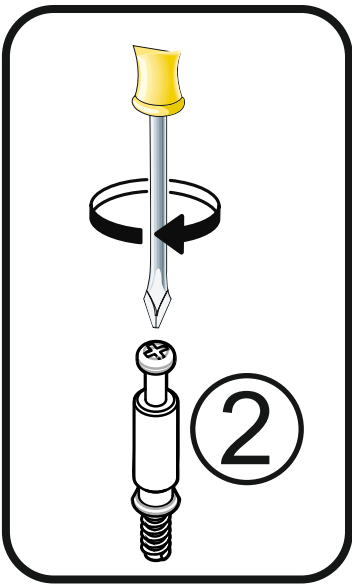
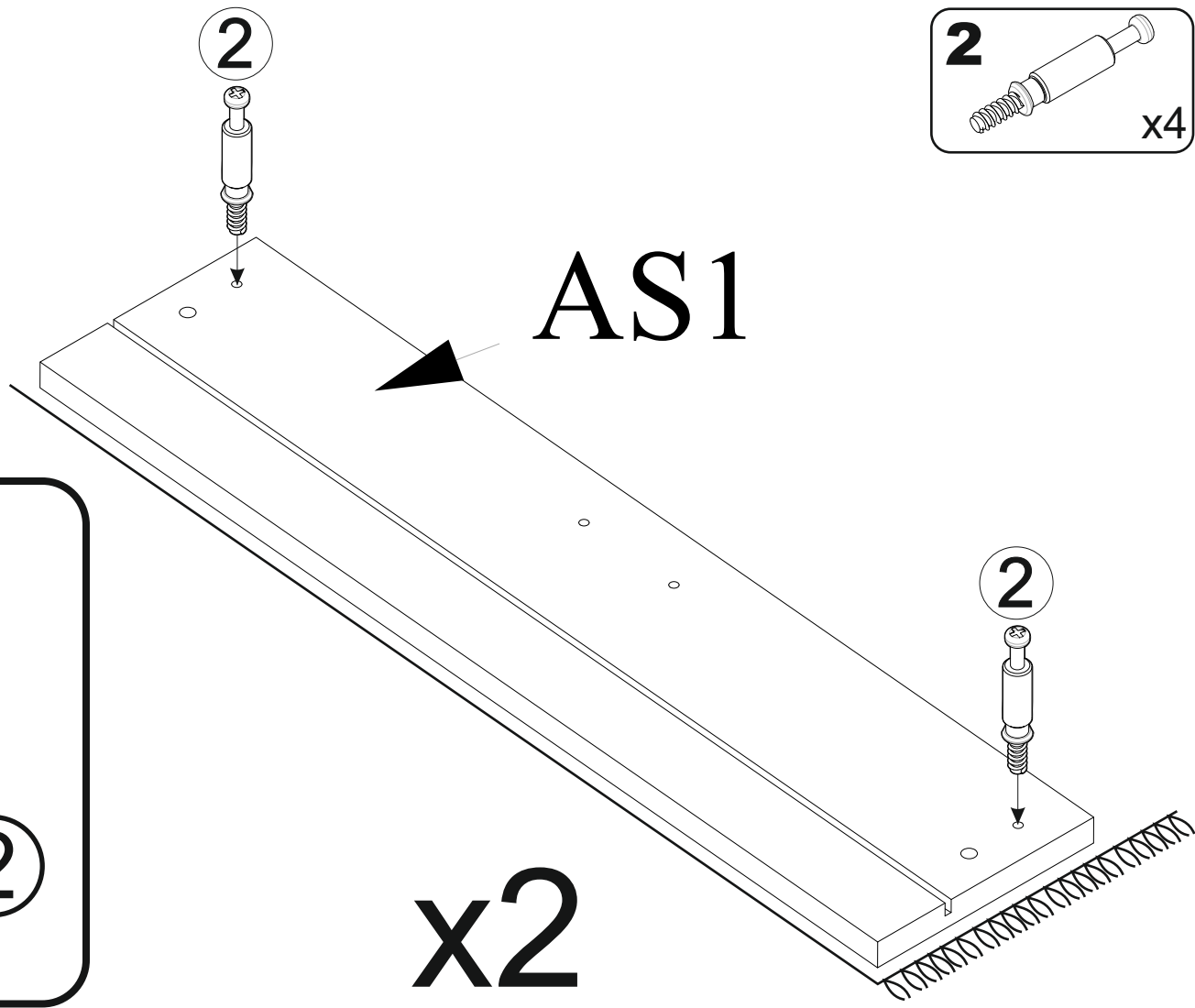
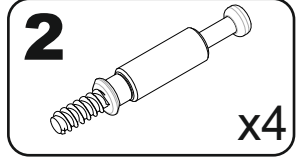
10



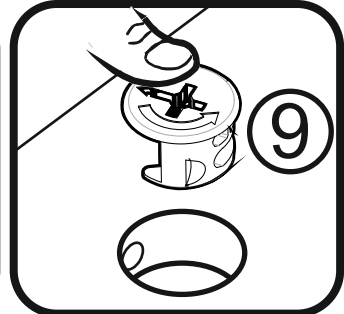
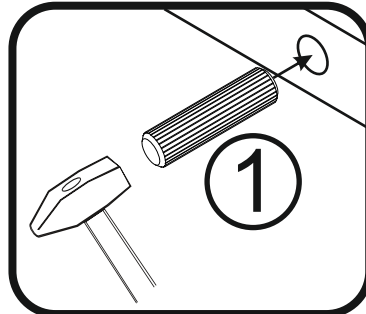
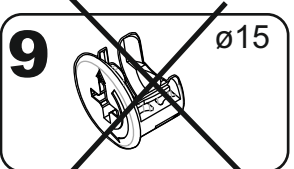
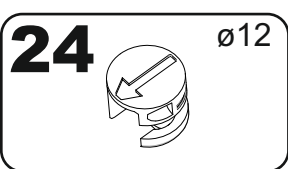
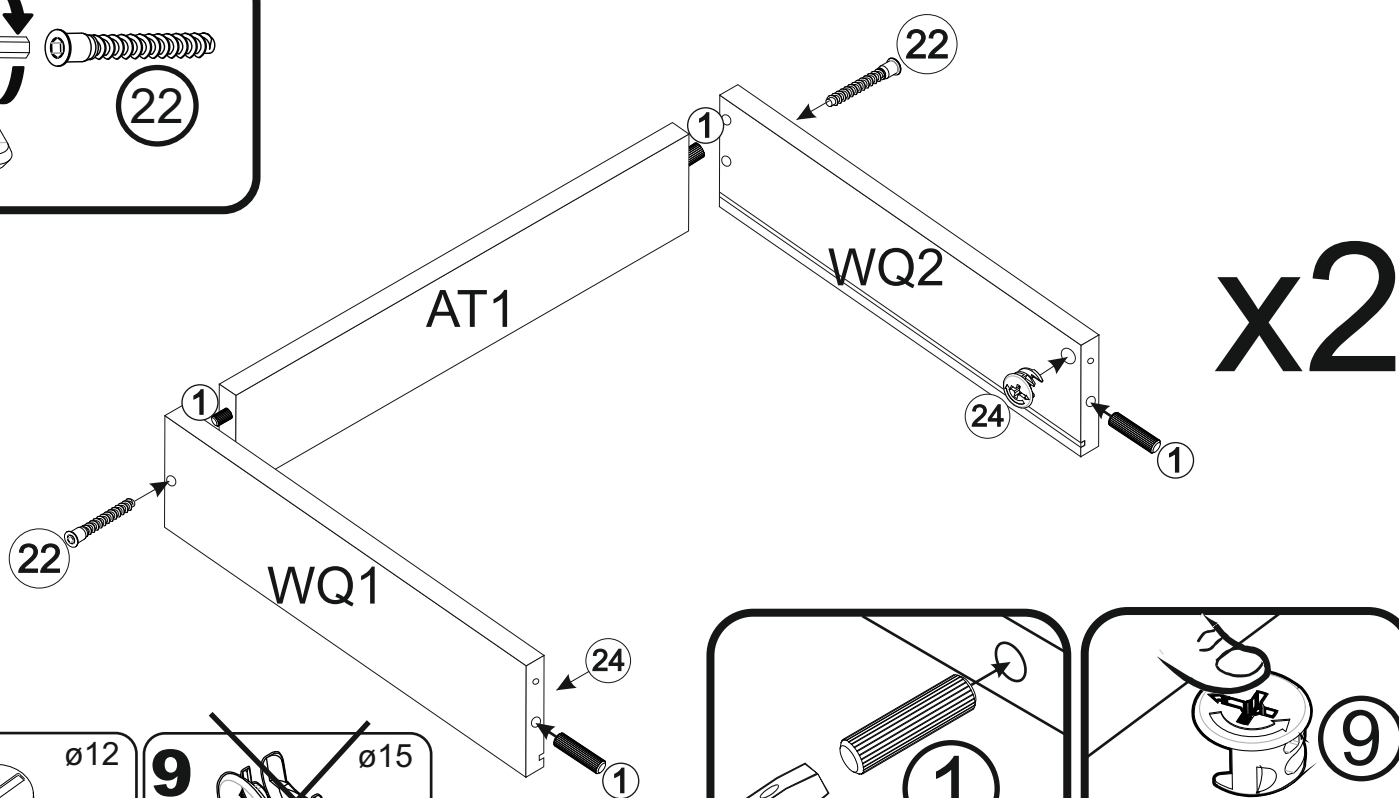
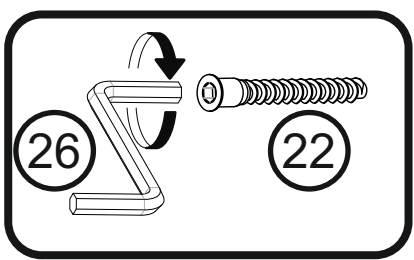
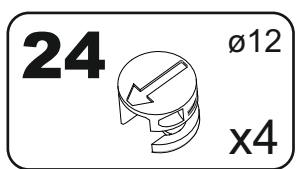
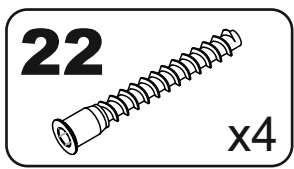
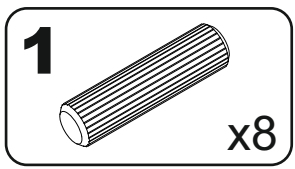
x2



11

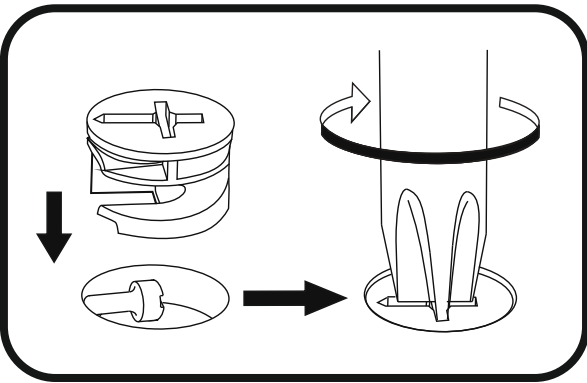
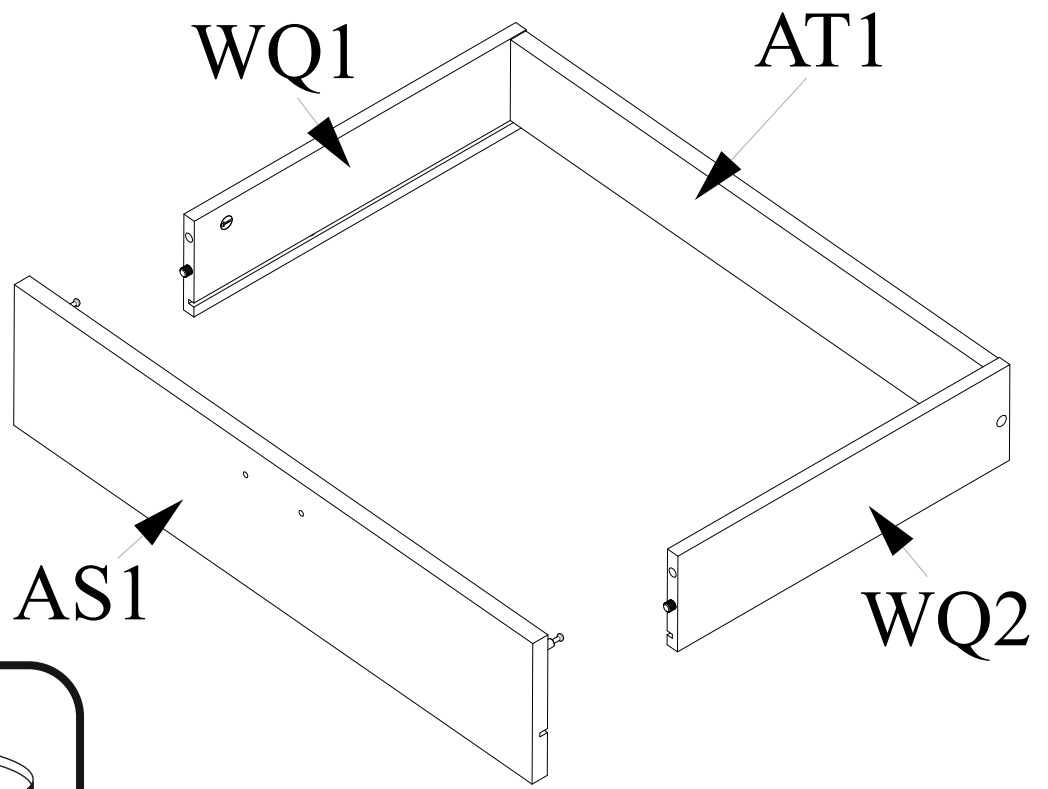


12



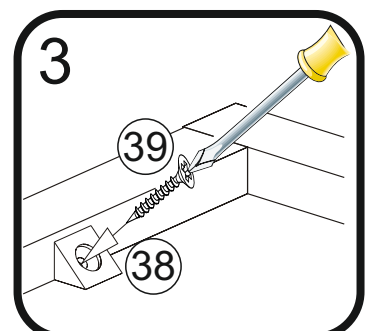
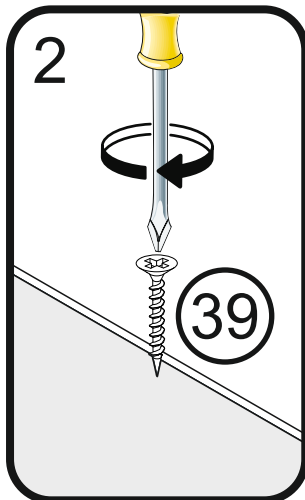
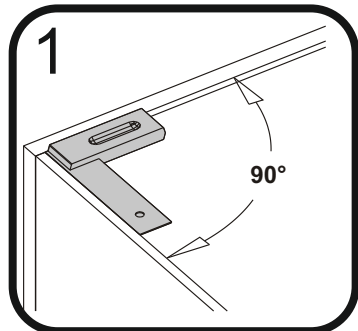
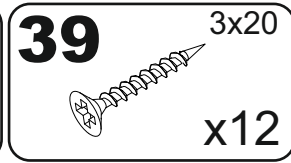
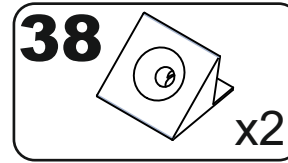
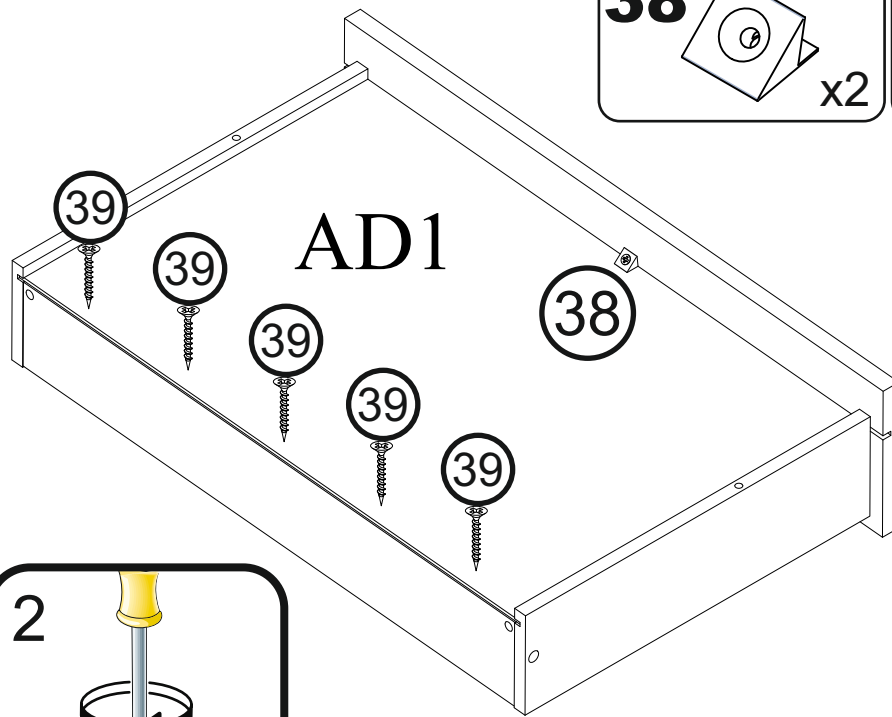
13

x2

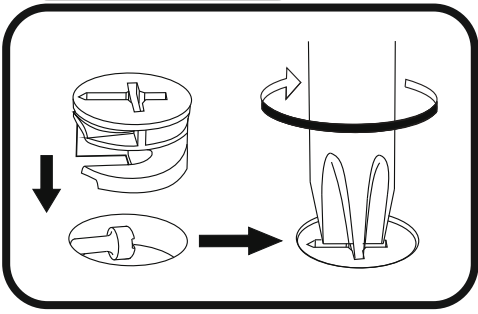
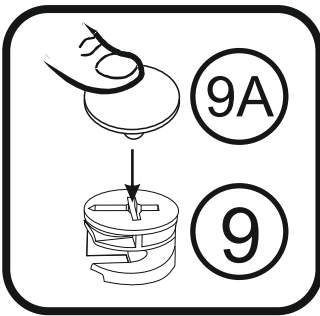
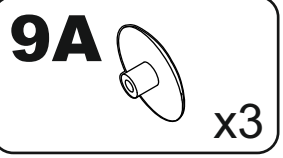
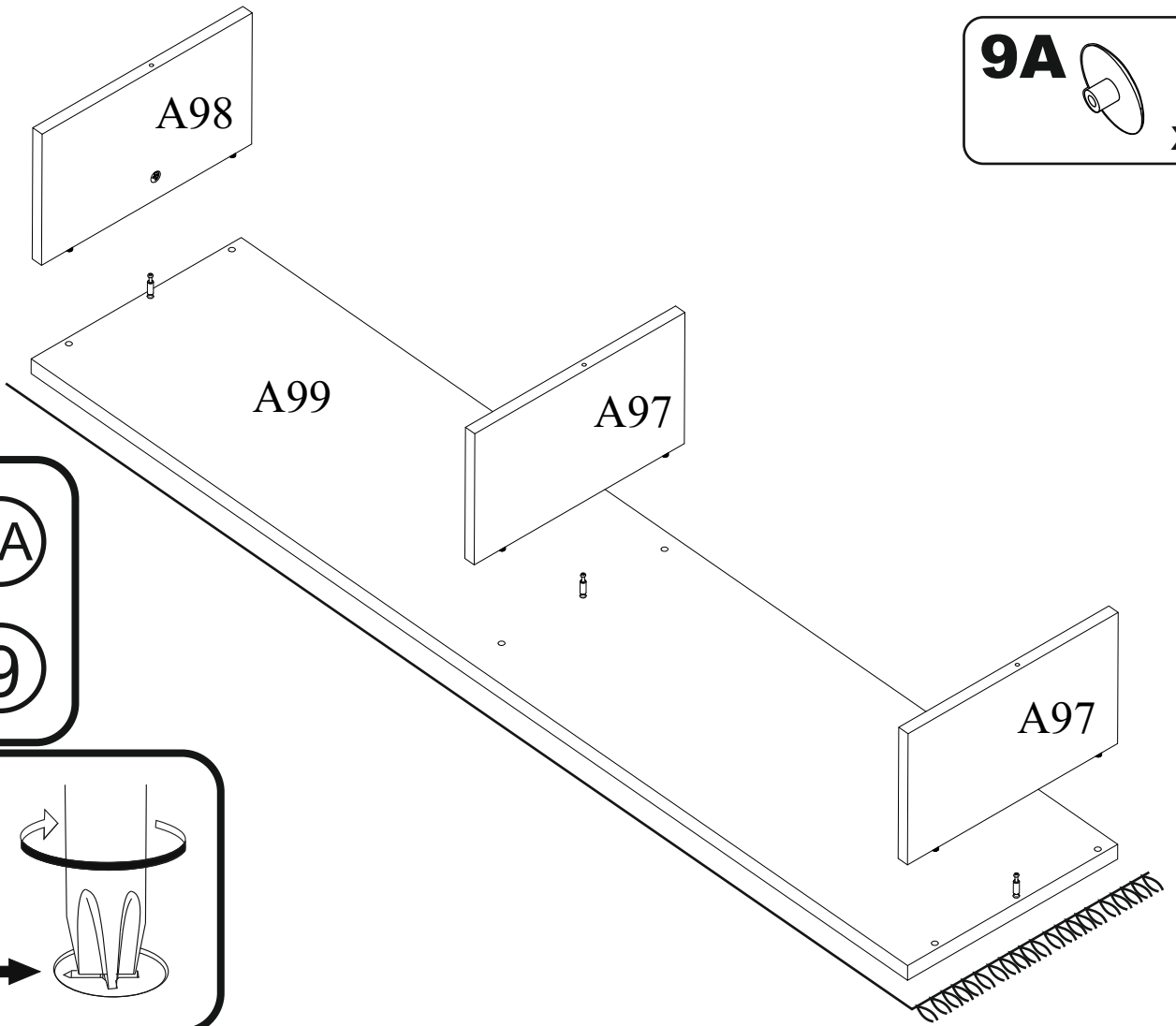


14

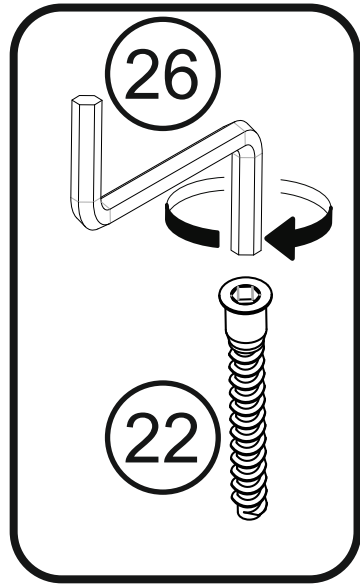
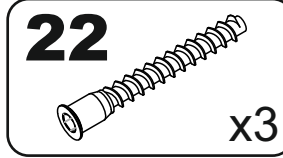
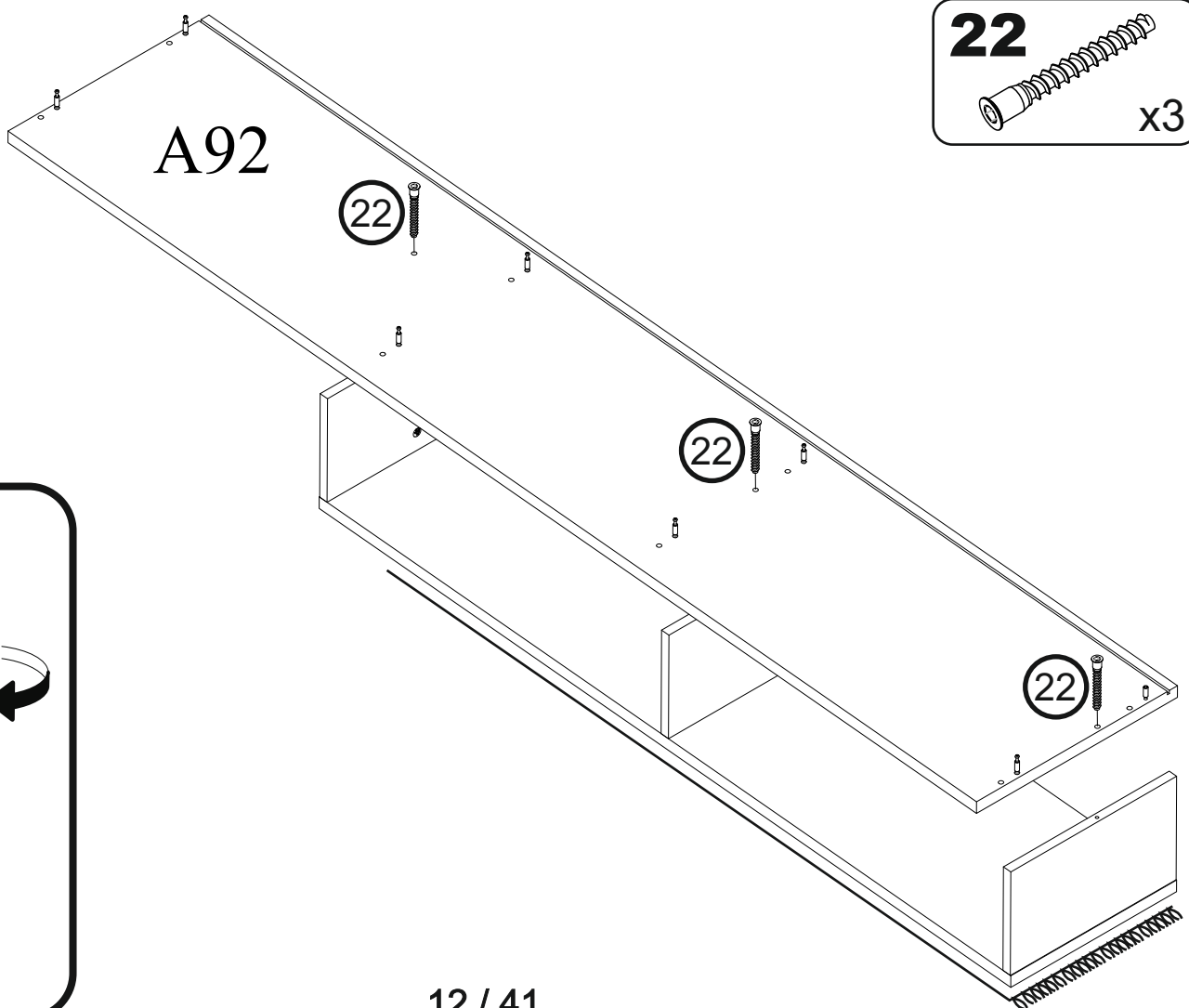
x2



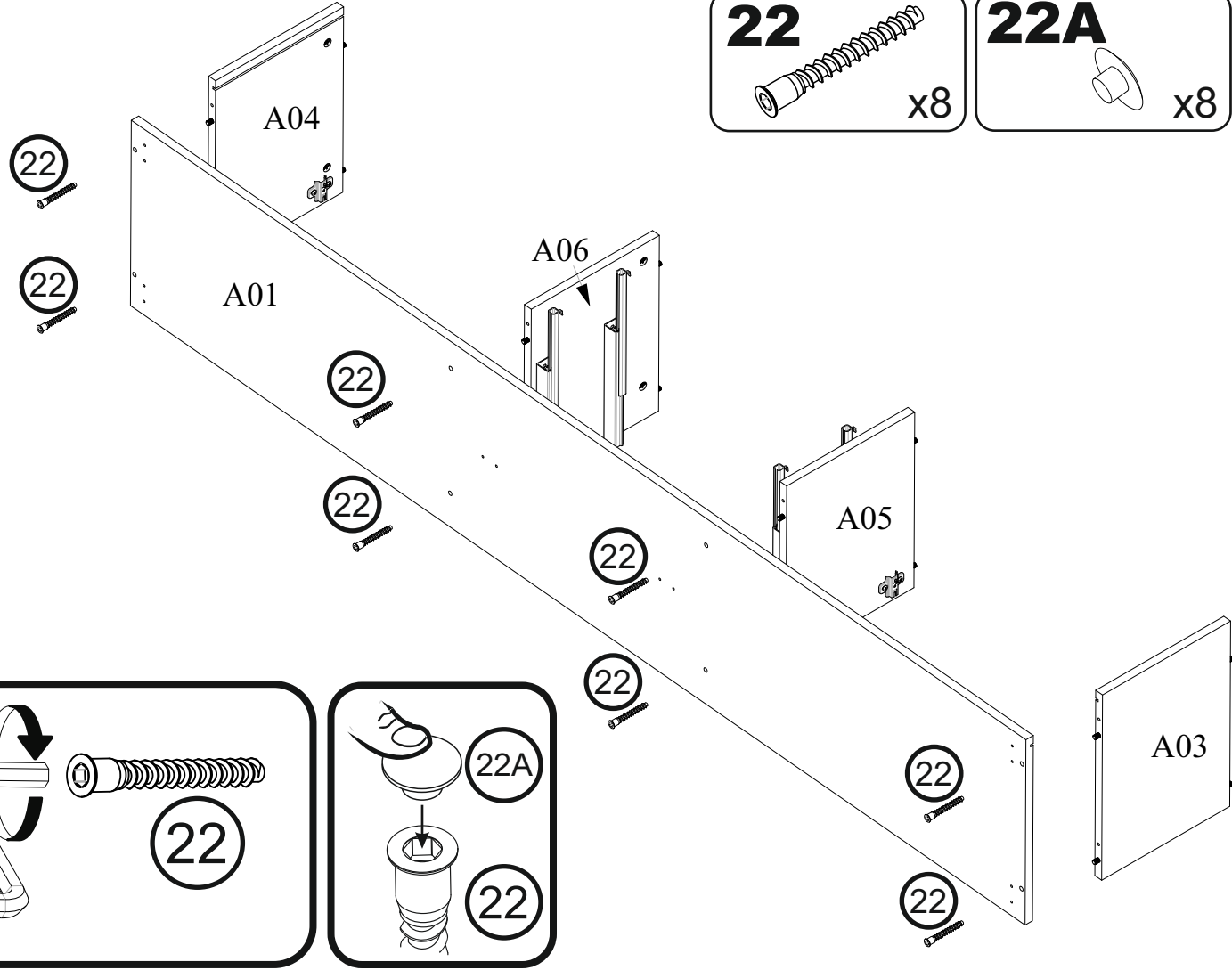
15

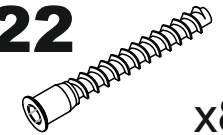



16




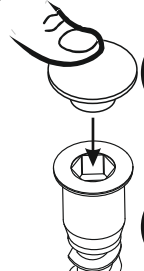
17



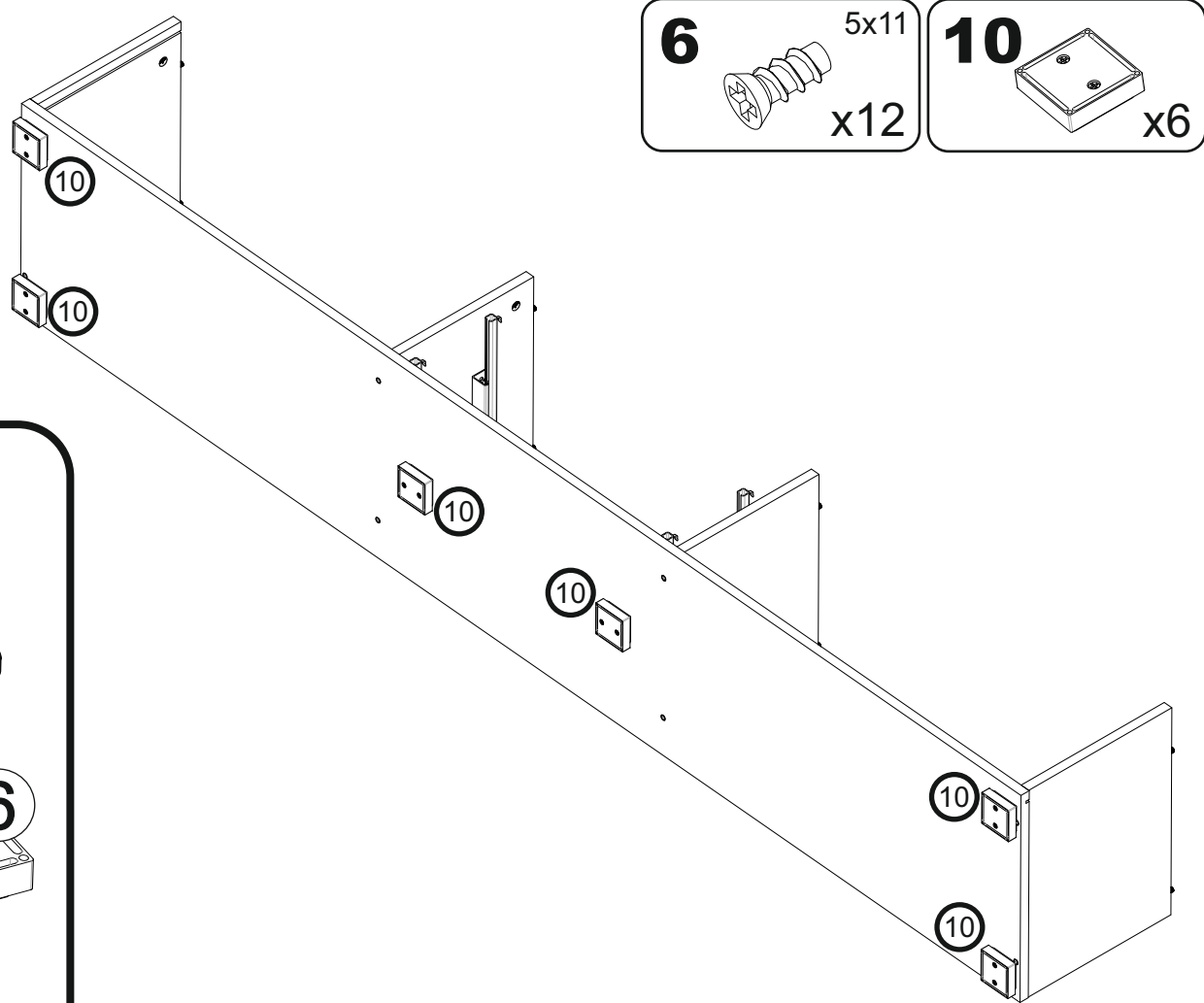
22  x8

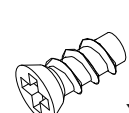
22A  x8

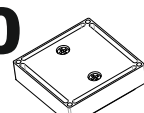
26  **22**


22A  **22**

18

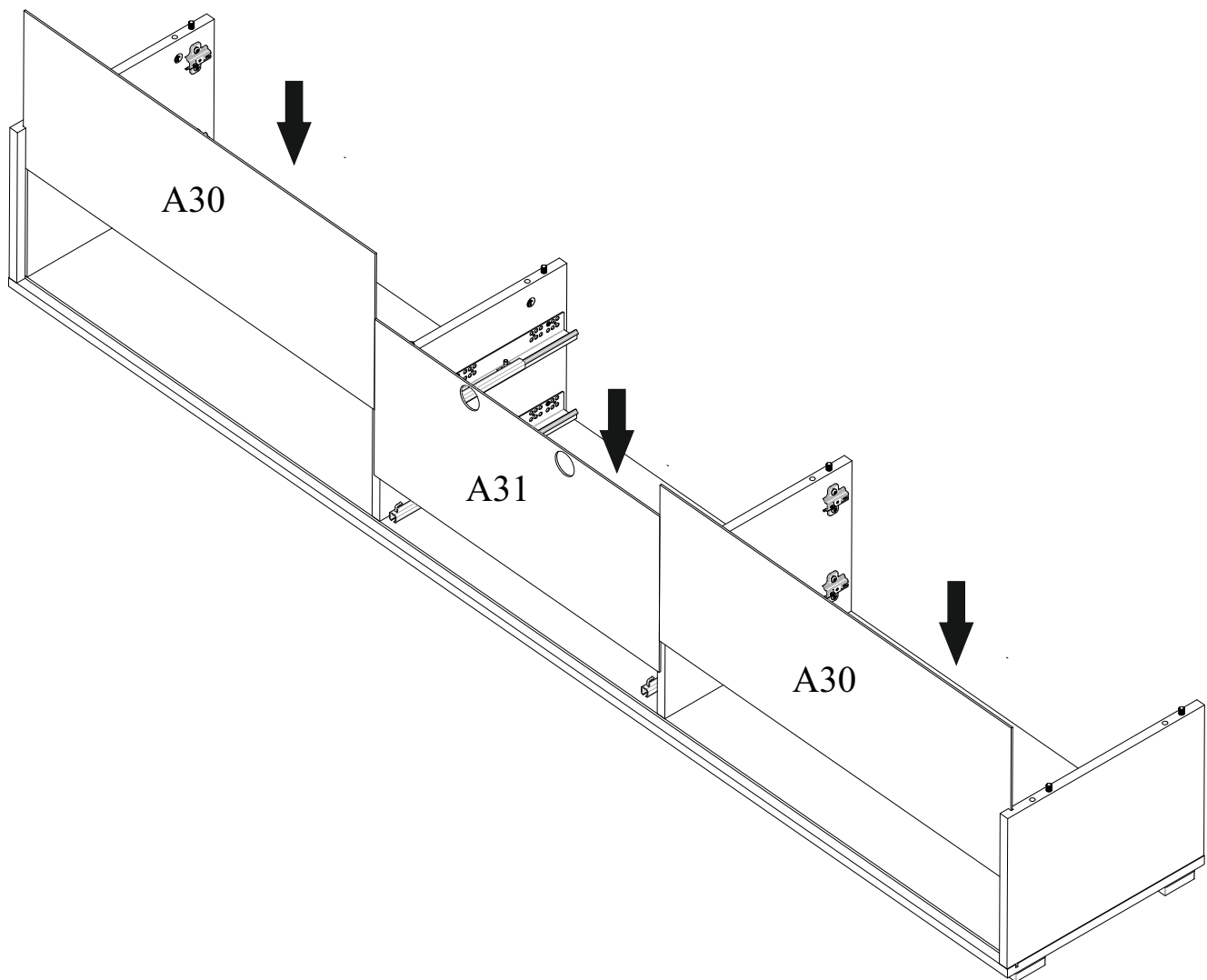


6  5x11 x12

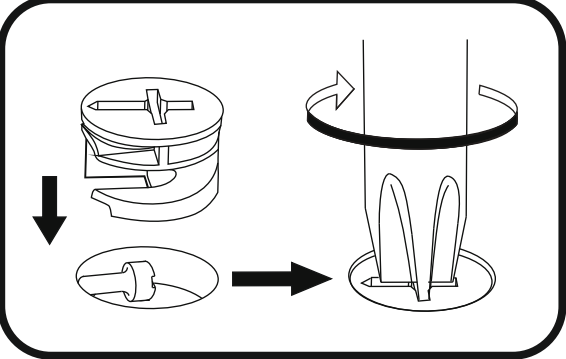
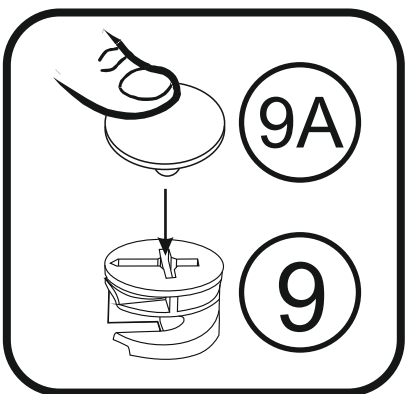
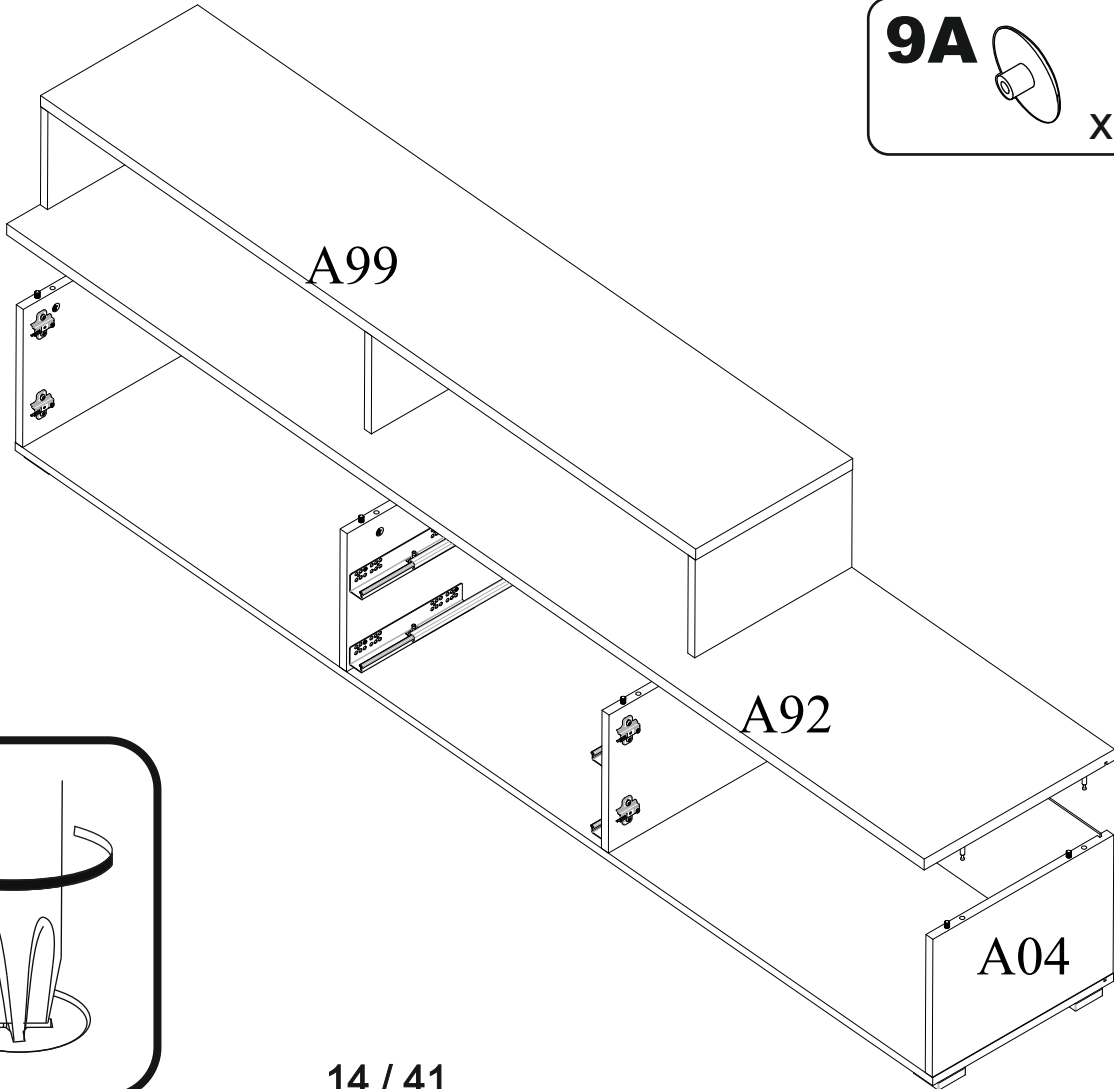
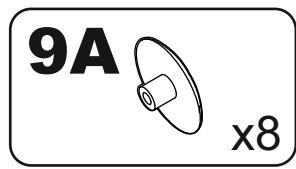
10  x6

6  **10**

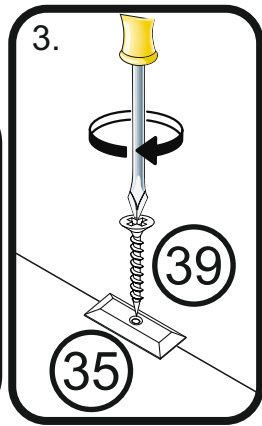
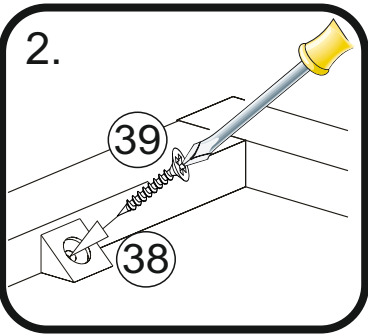
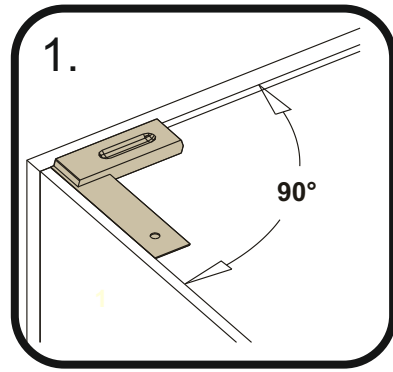
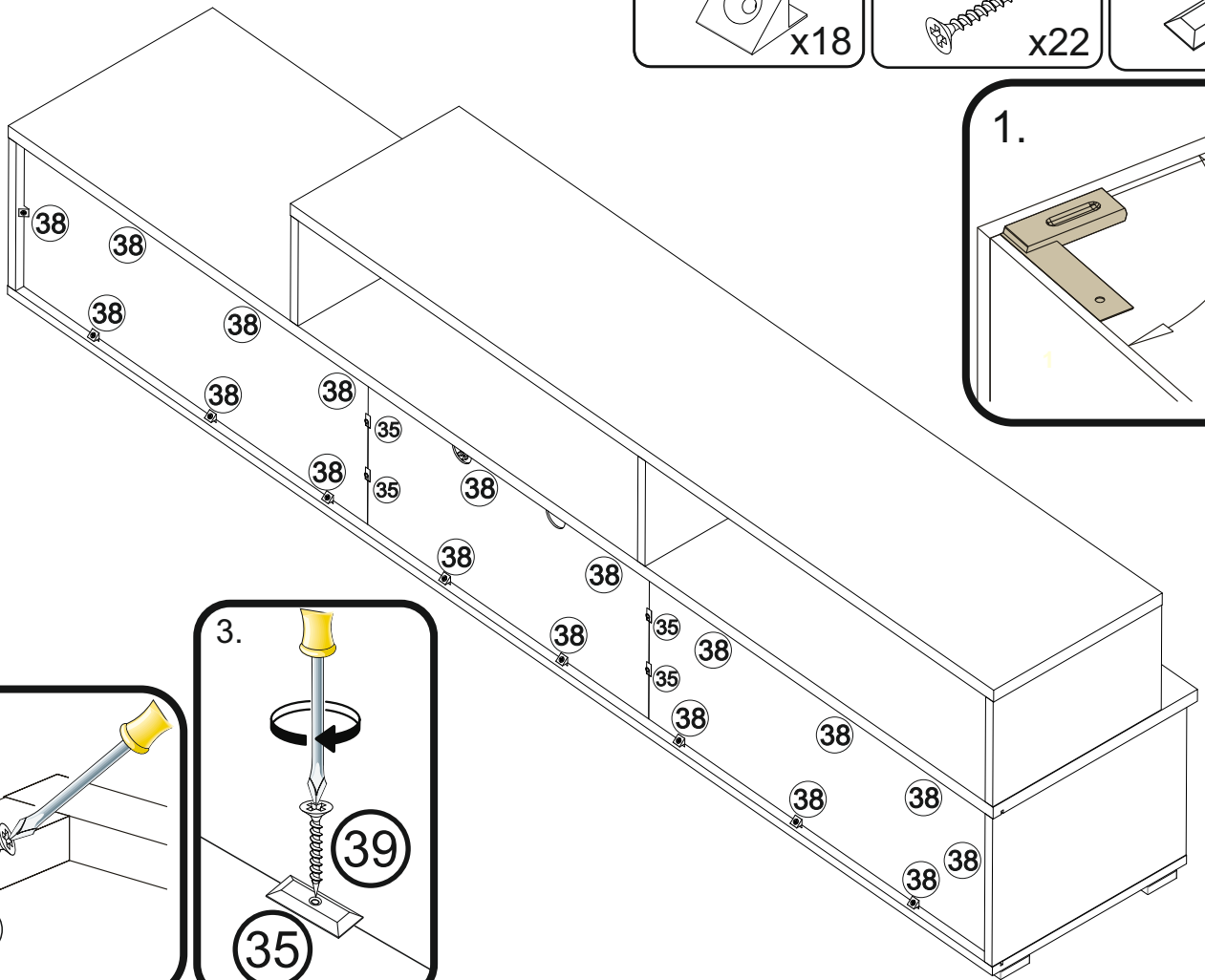
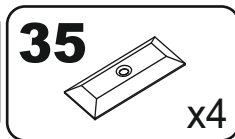
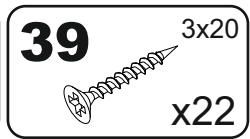
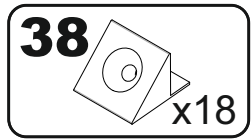
19



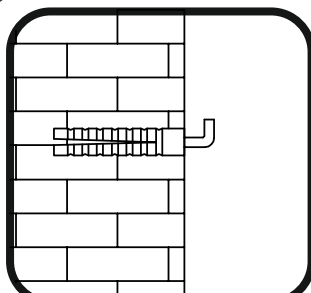
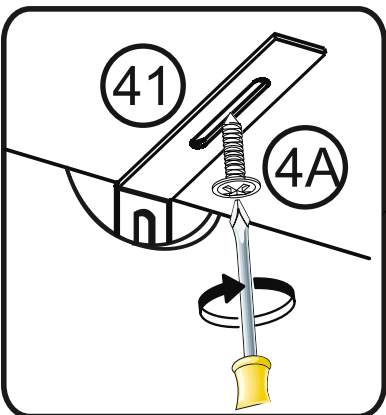
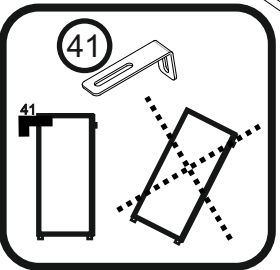
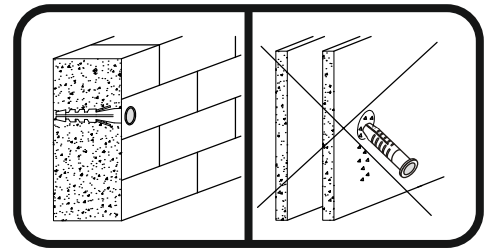
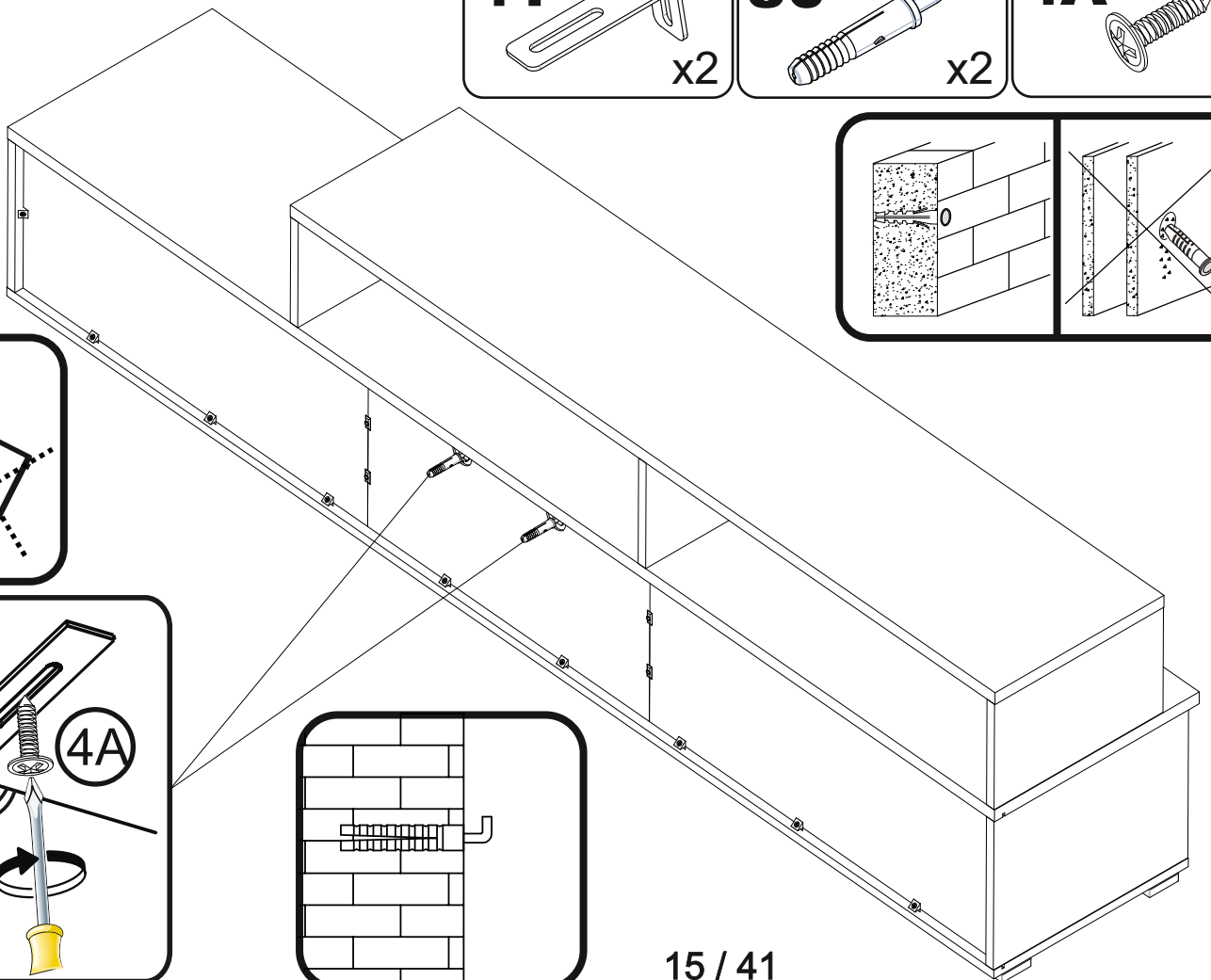
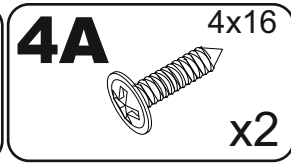
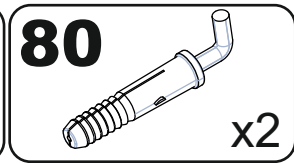
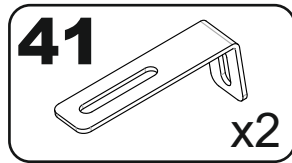
20



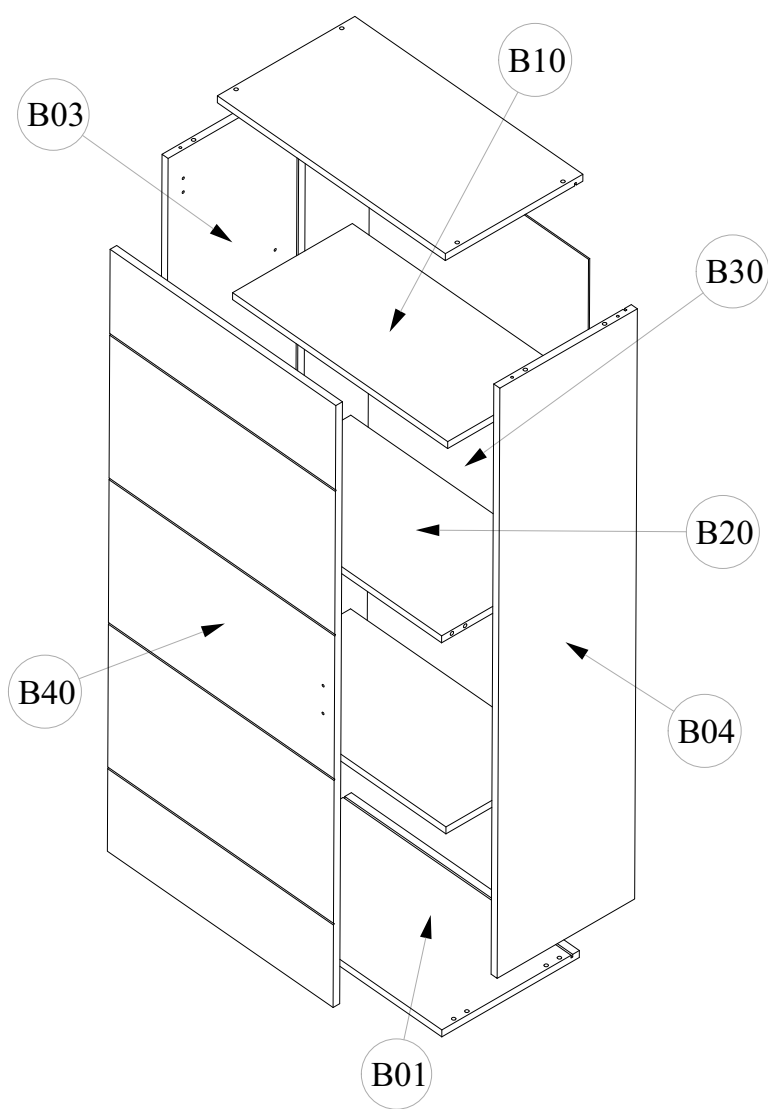
21



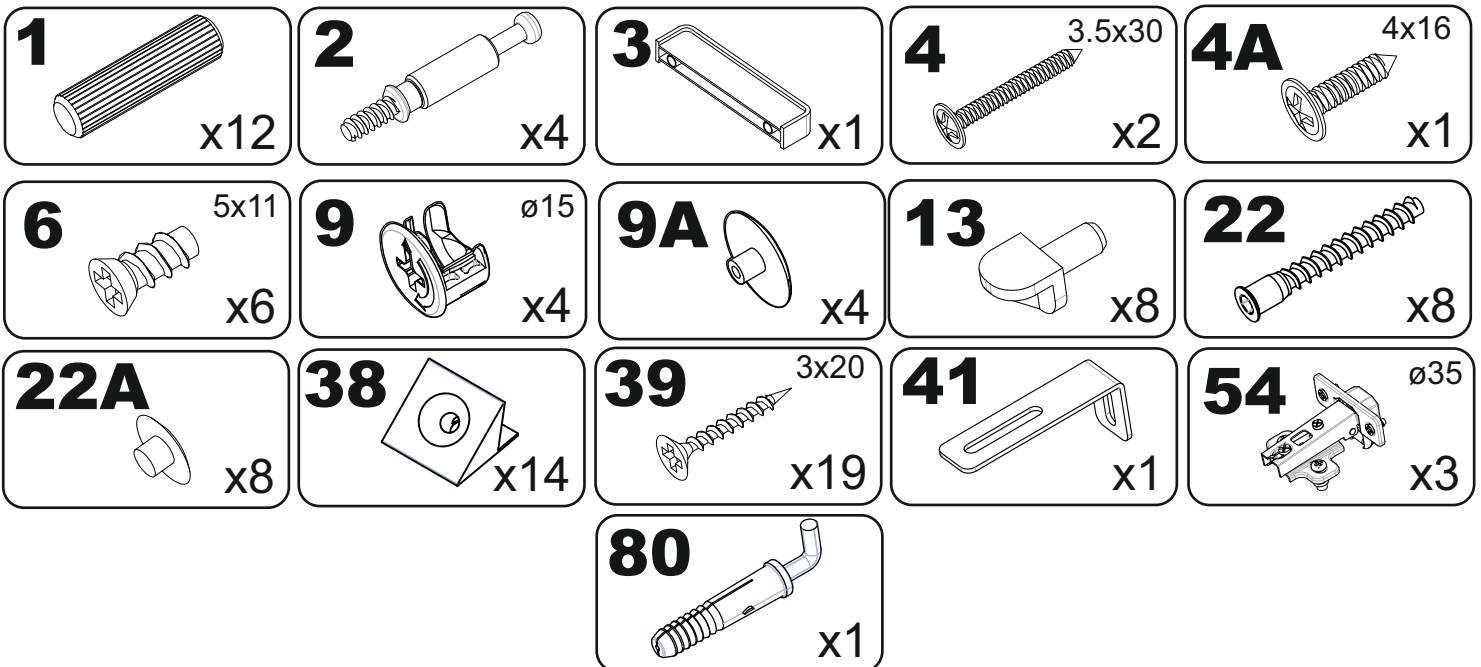
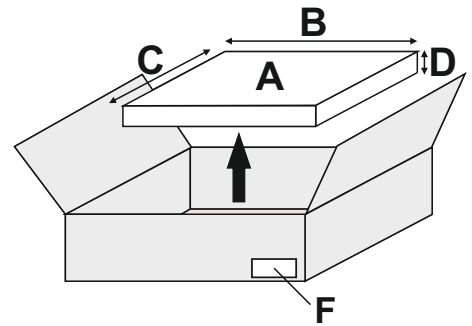
22



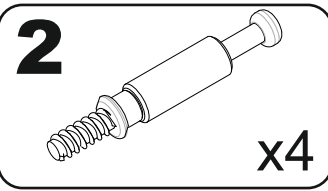
B

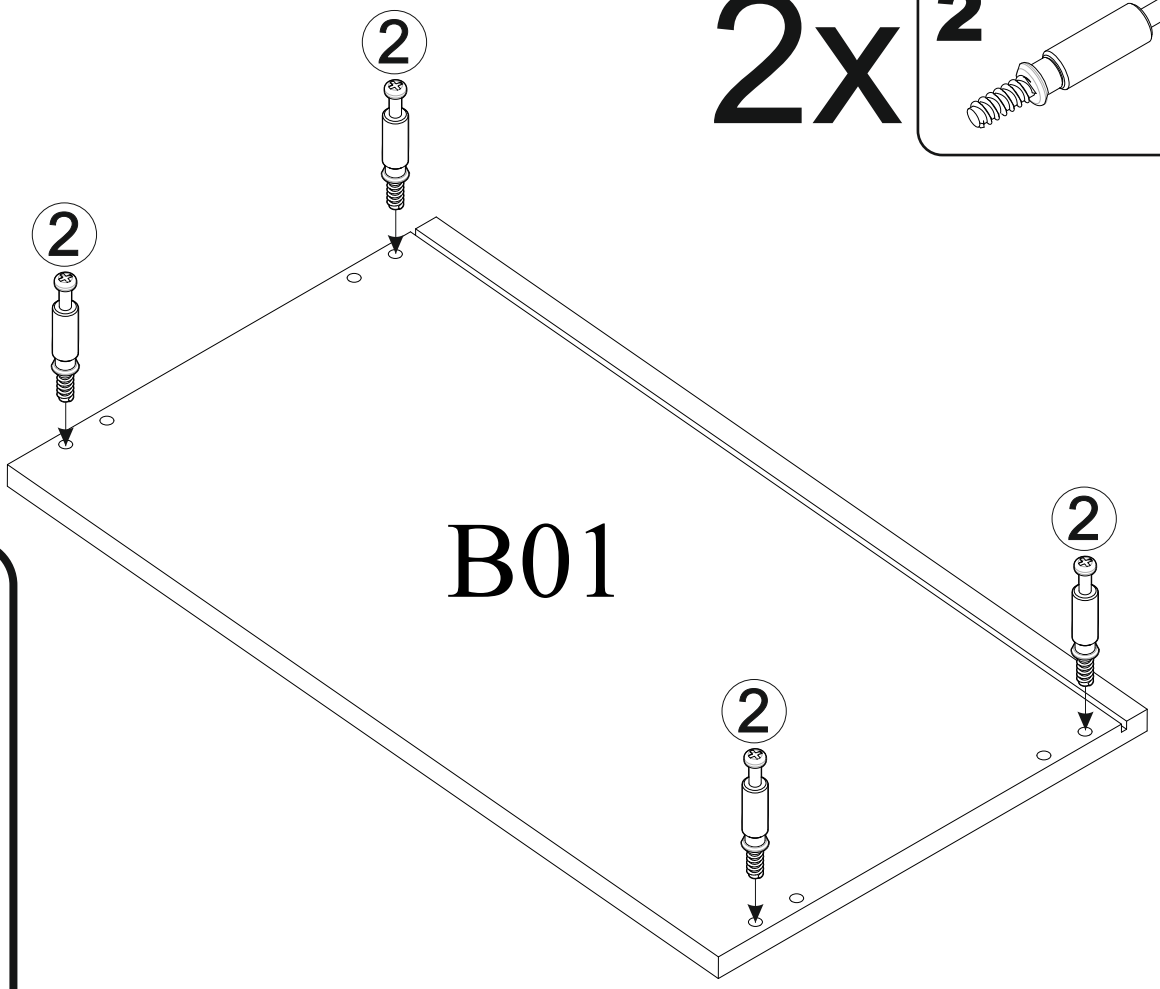
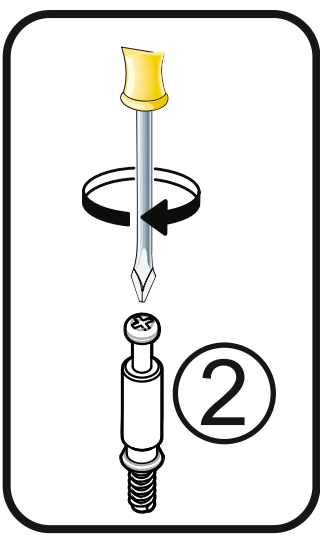


A	B (mm)	C (mm)	D (mm)		F
B01	602	333	16	x2	1 6
B03	1360	333	16	x1	2 6
B04	1360	333	16	x1	2 6
B10	568	290	16	x2	1 6
B20	568	301	16	x1	1 6
B30	1370	578	3	x1	3 6
B40	1387	596	16	x1	3 6

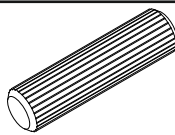


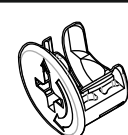
3

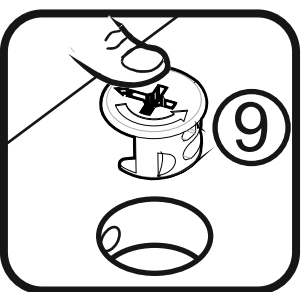
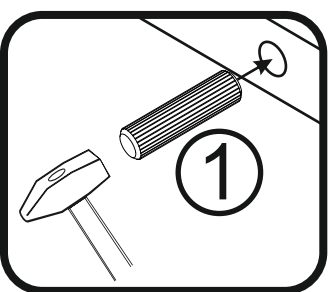
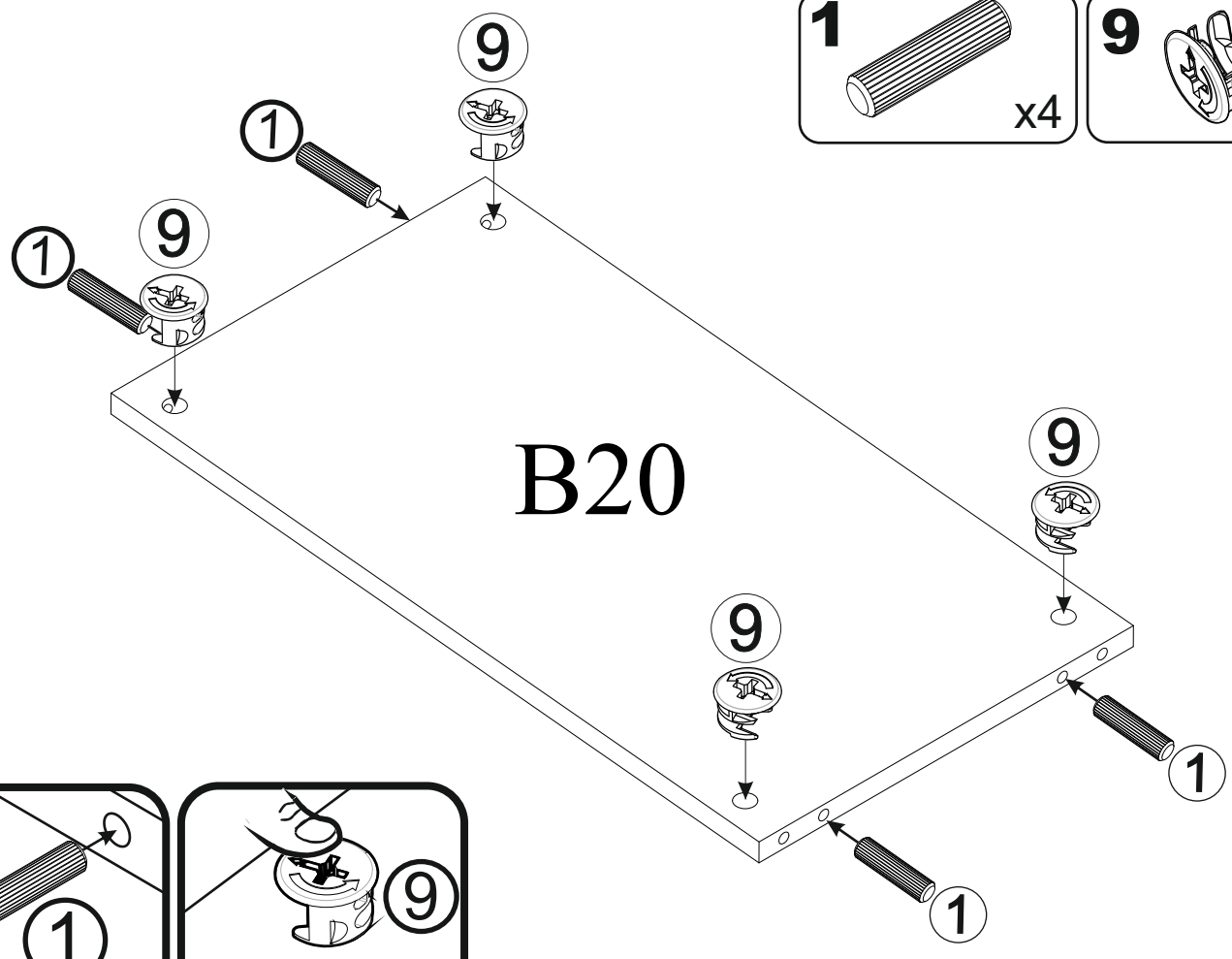
2x²  **x4**



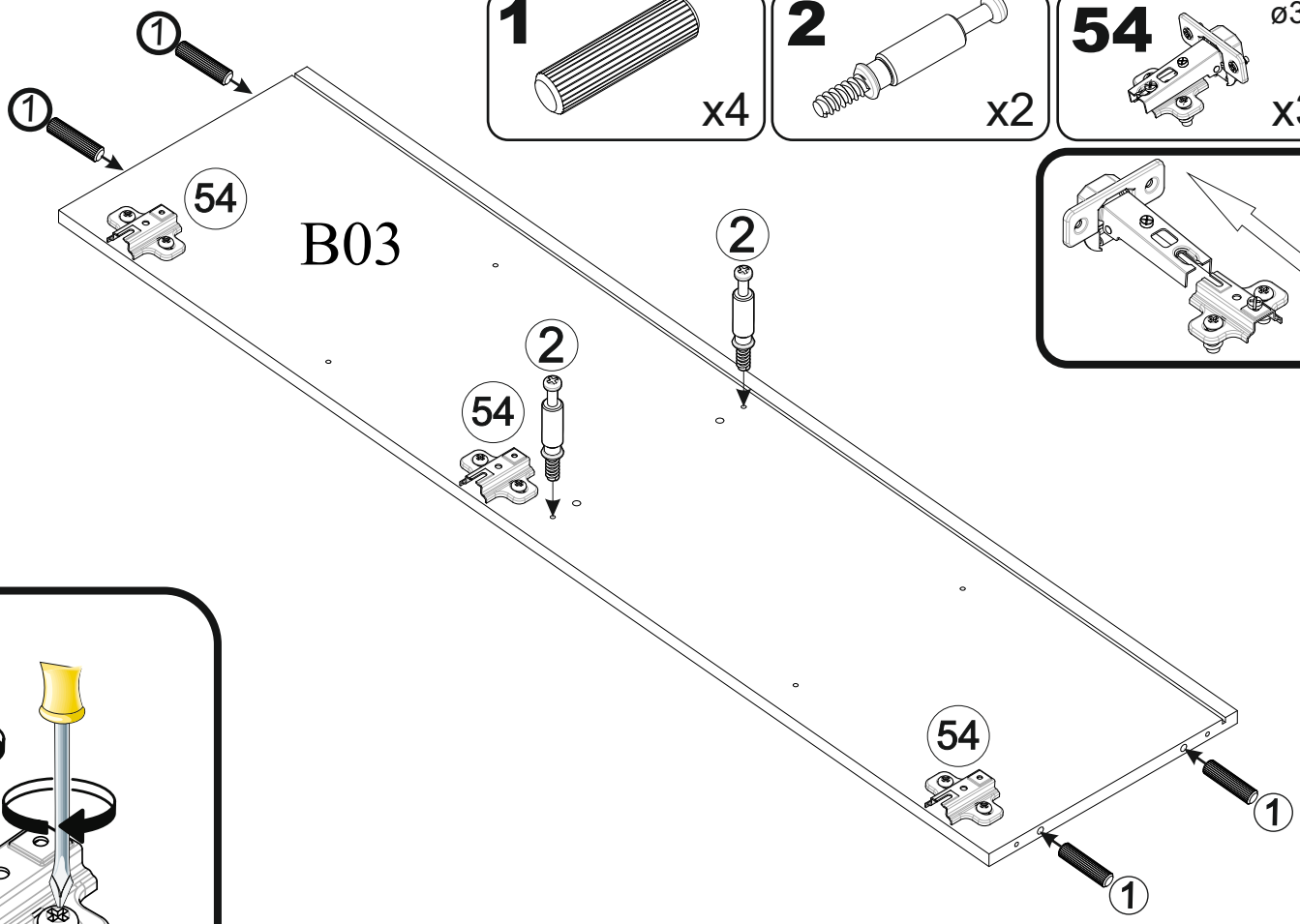
4

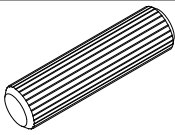
1  **x4**

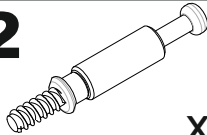
9  $\varnothing 15$
x4




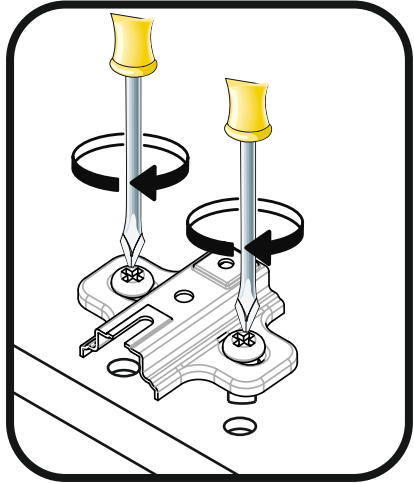
1



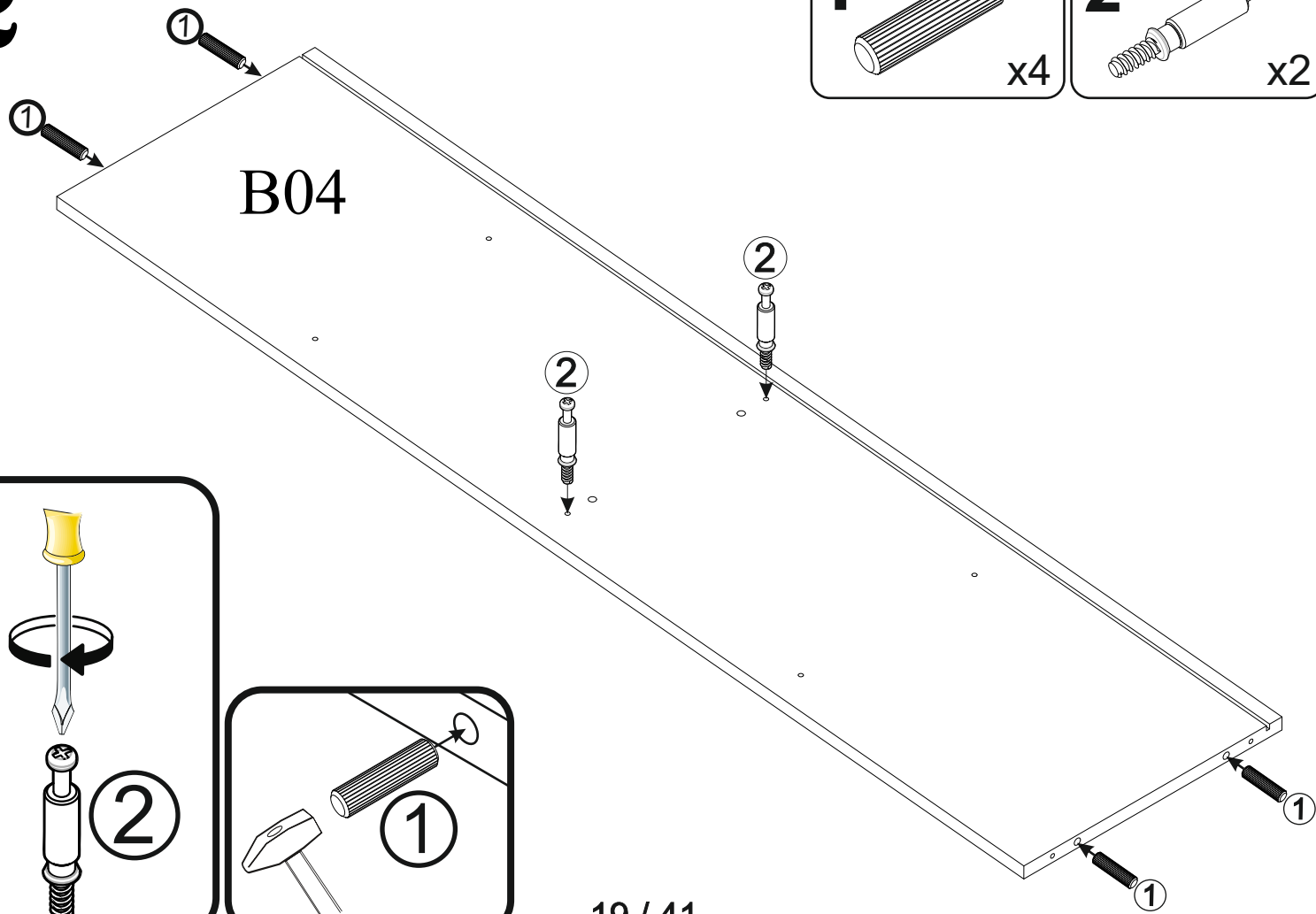
1  x4

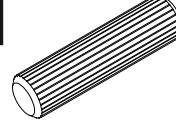
2  x2

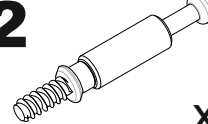
54  $\varnothing 35$
x3

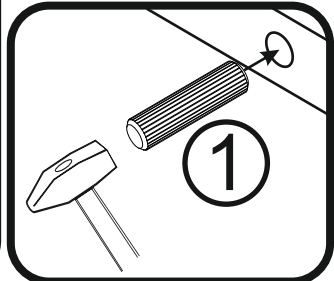
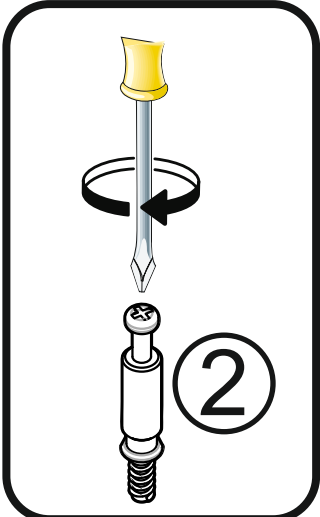


2

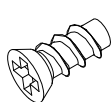
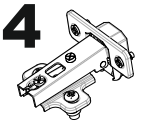


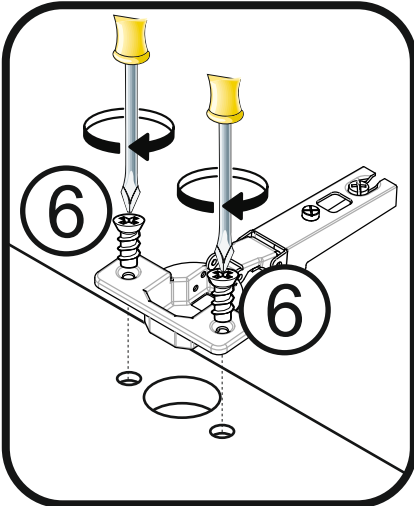
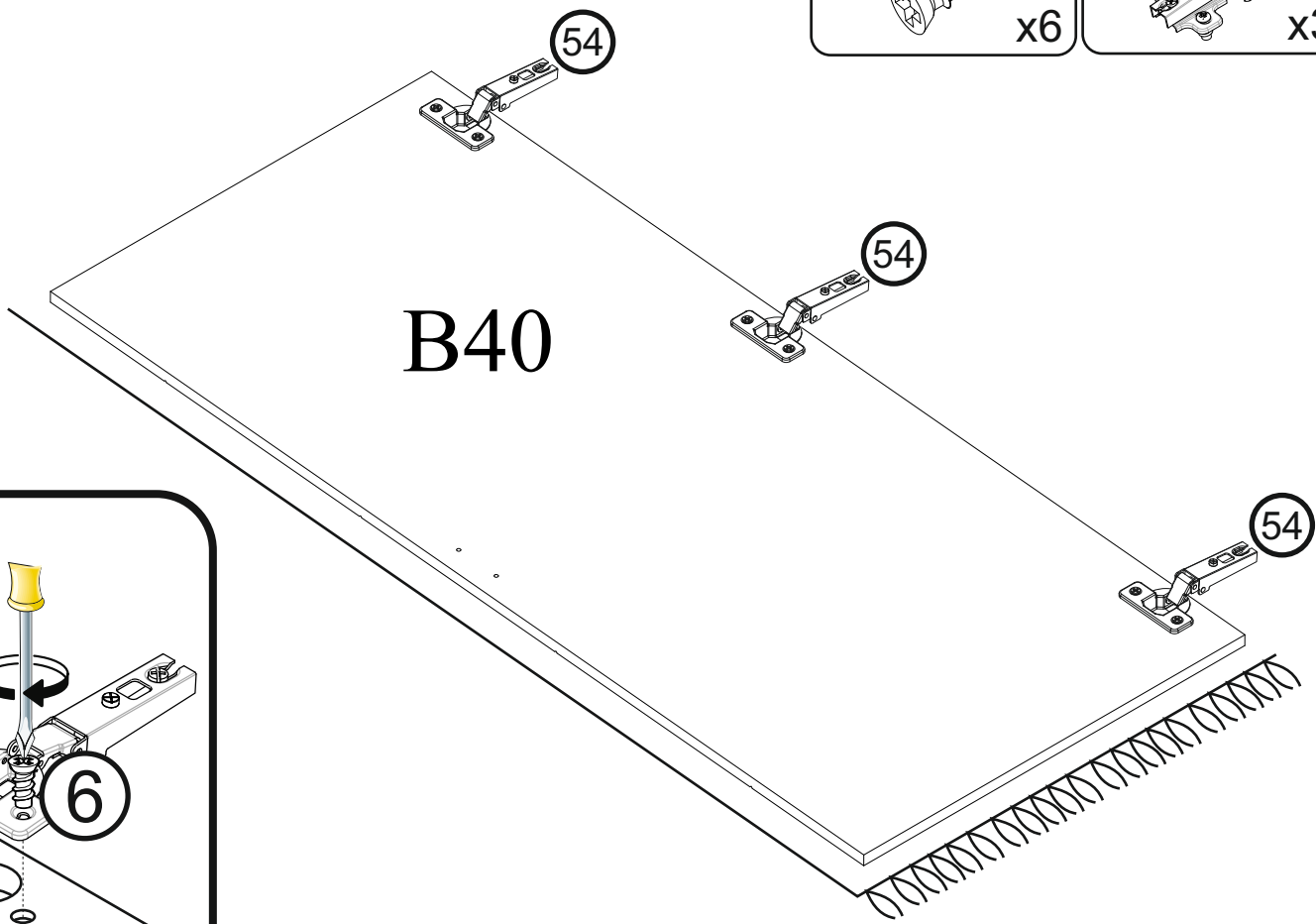
1  x4

2  x2




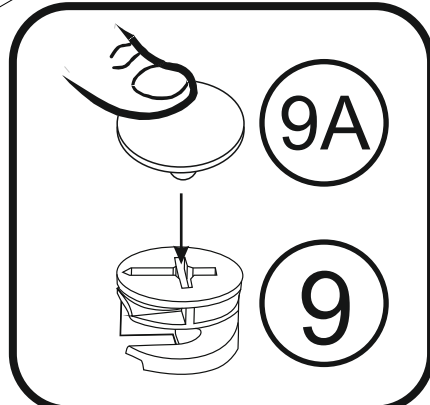
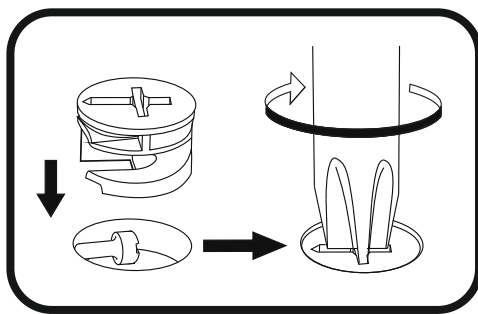
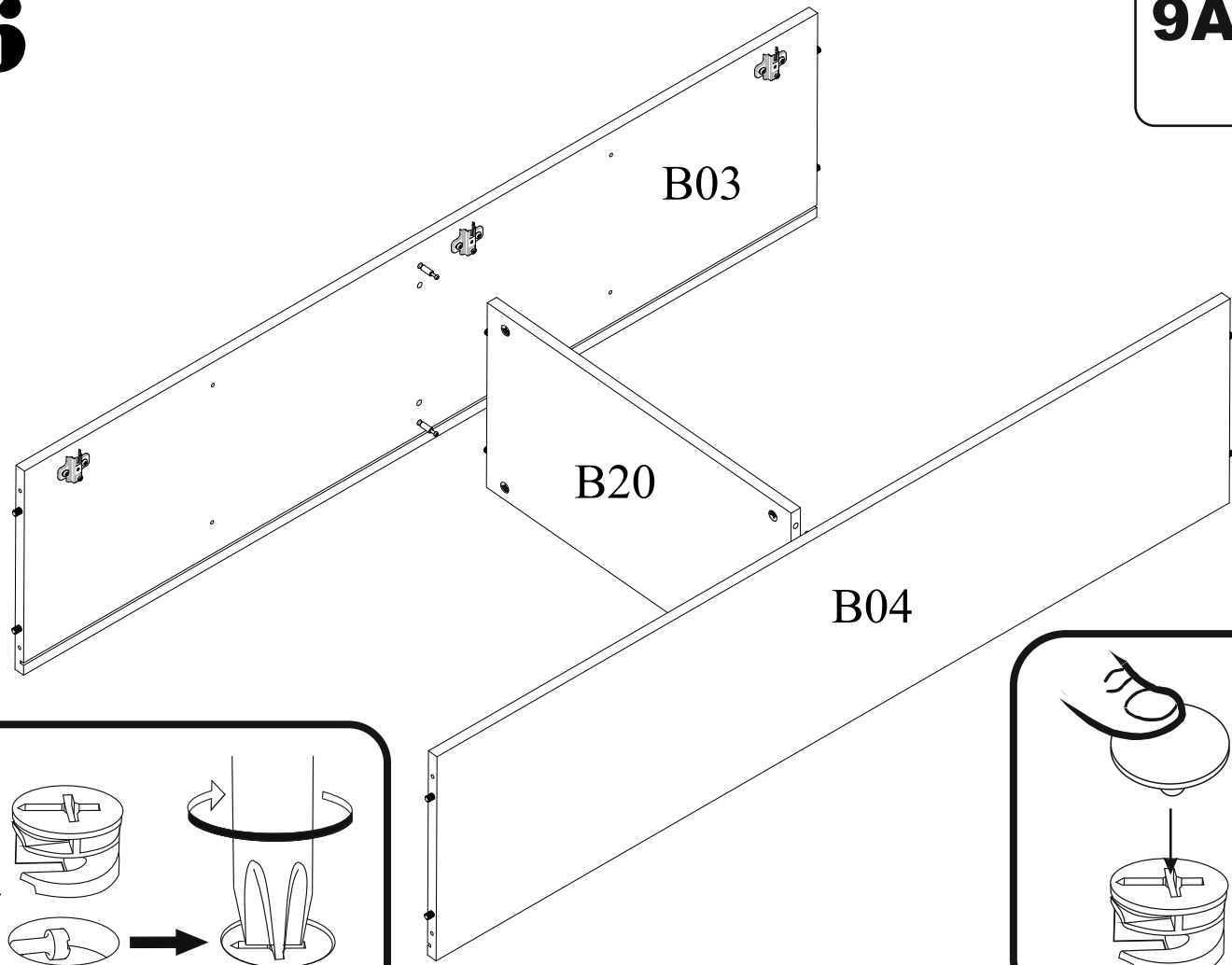
5

6		5x11	54		ø35
		x6			x3

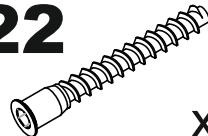


6

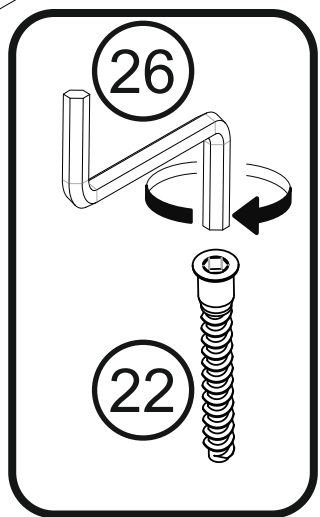
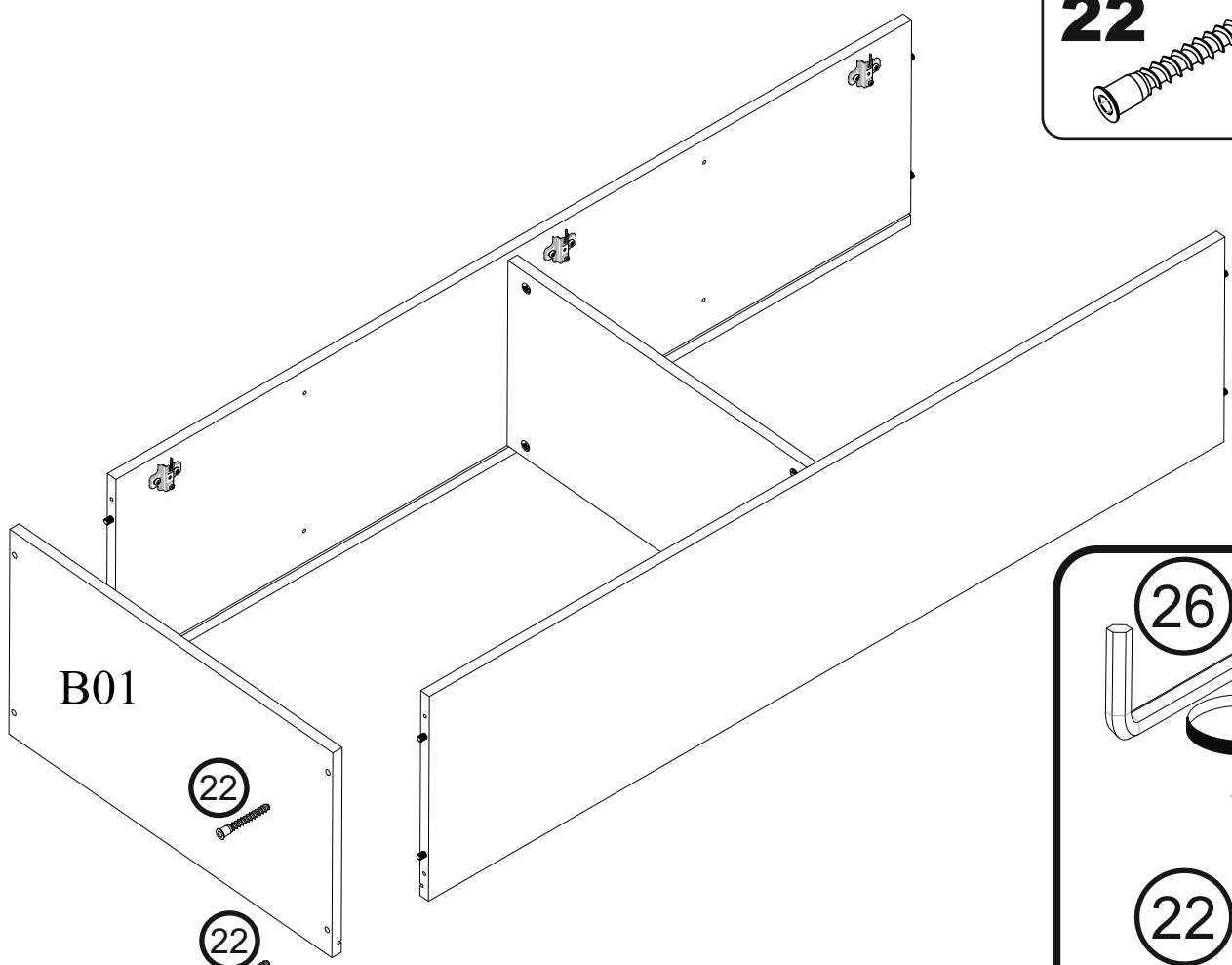
9A		x4
-----------	---	----



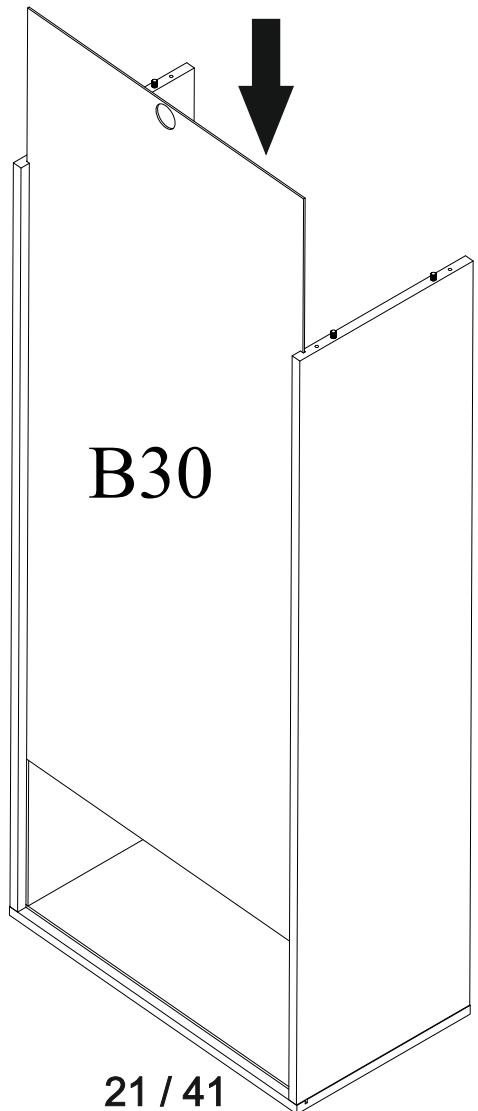
7

22  x4

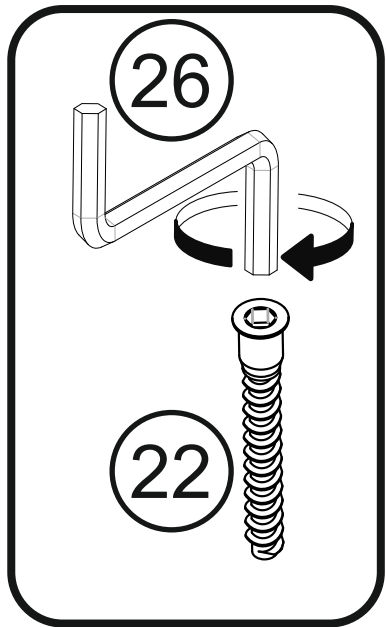
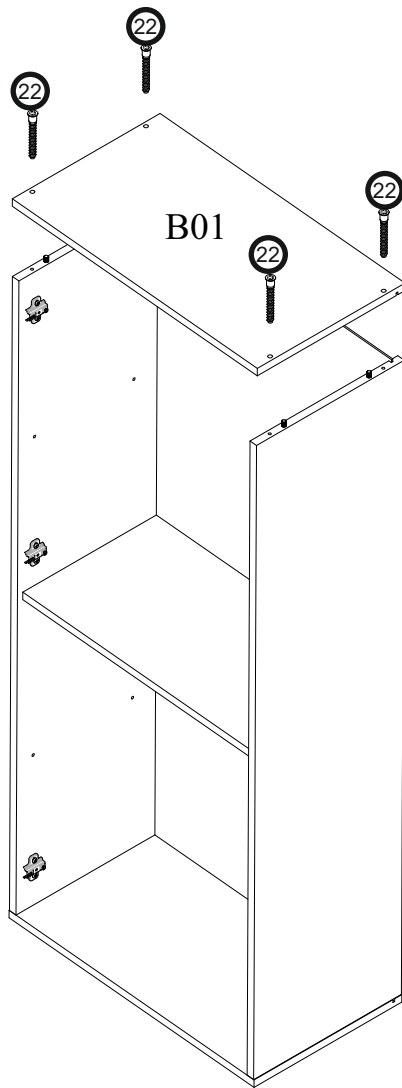
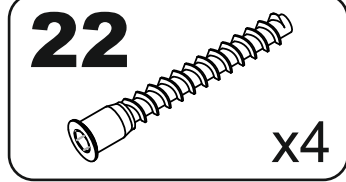
22 
22 
22 
22 



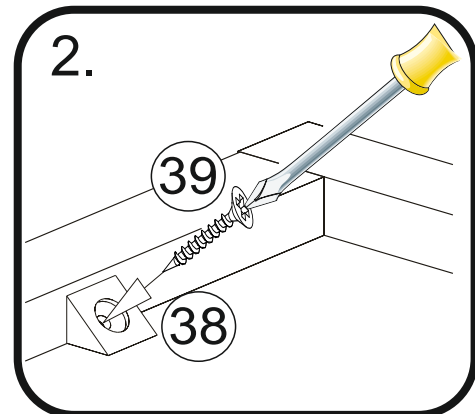
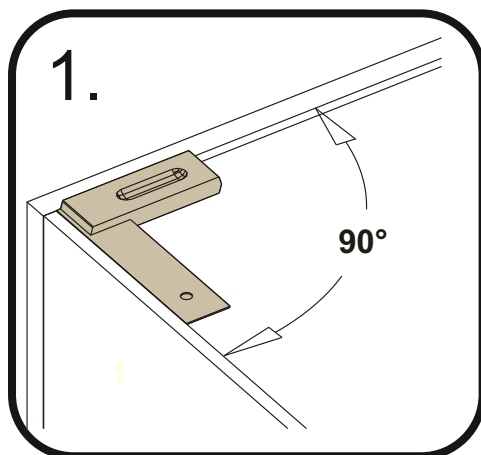
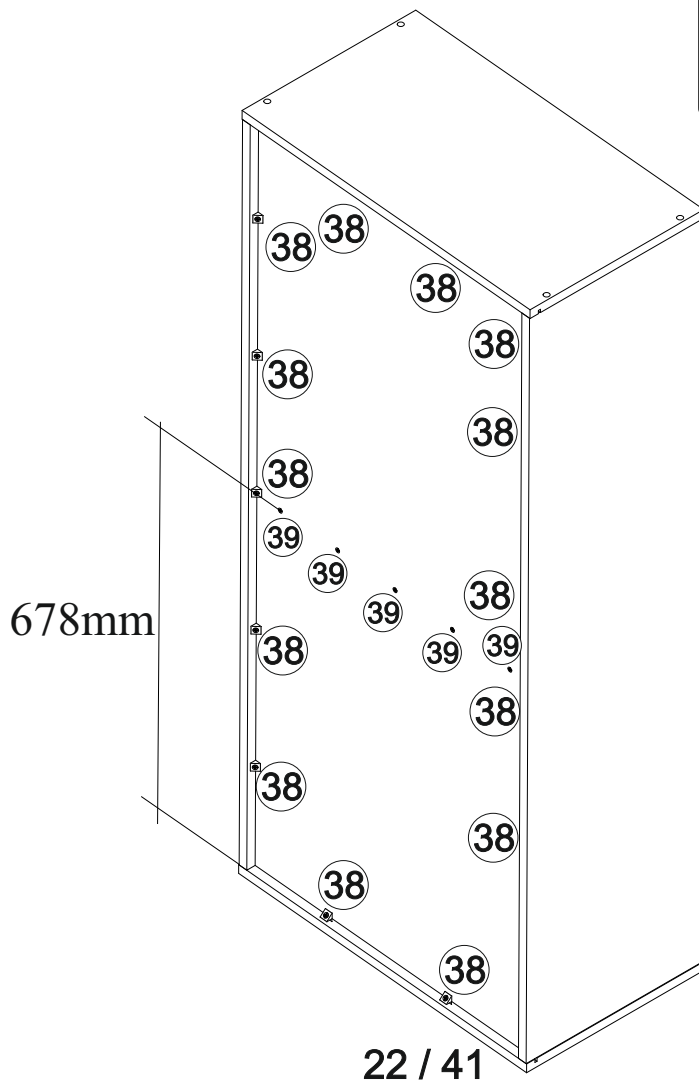
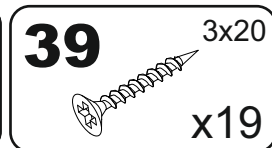
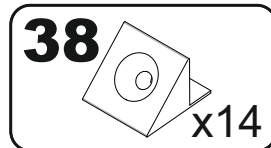
8



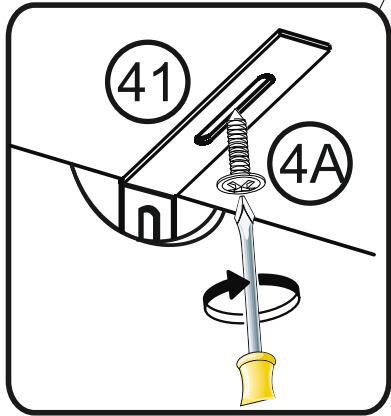
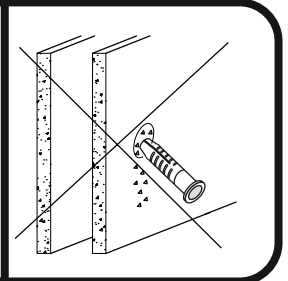
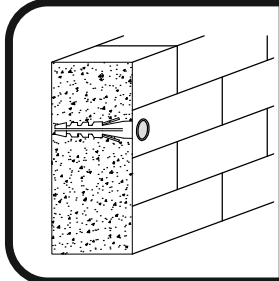
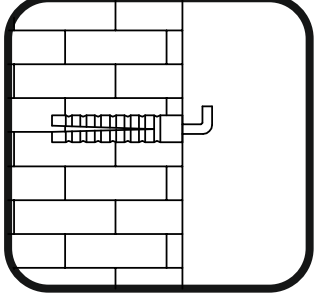
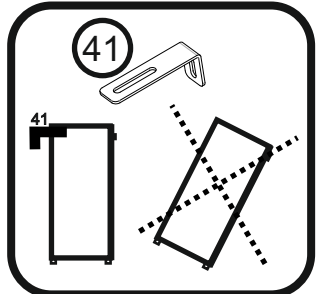
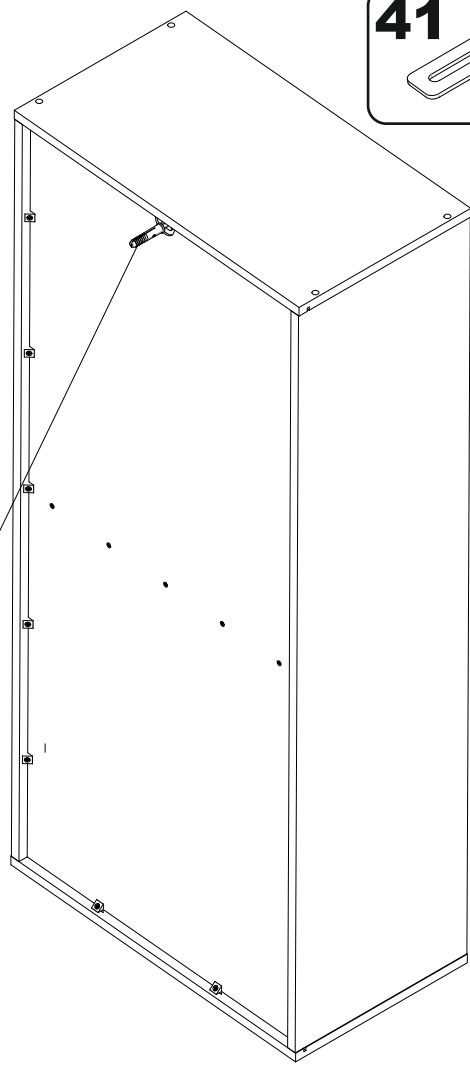
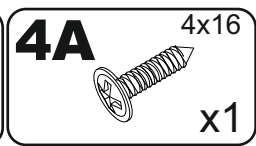
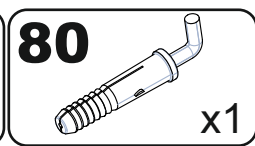
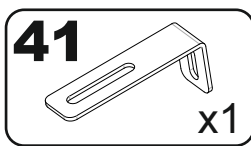
9



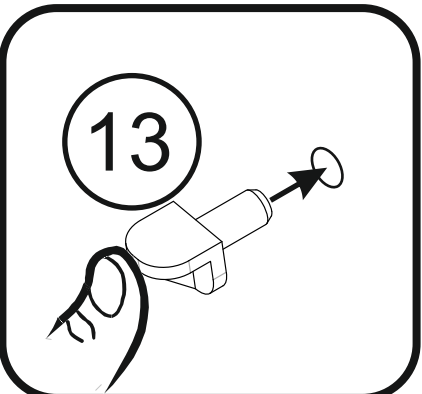
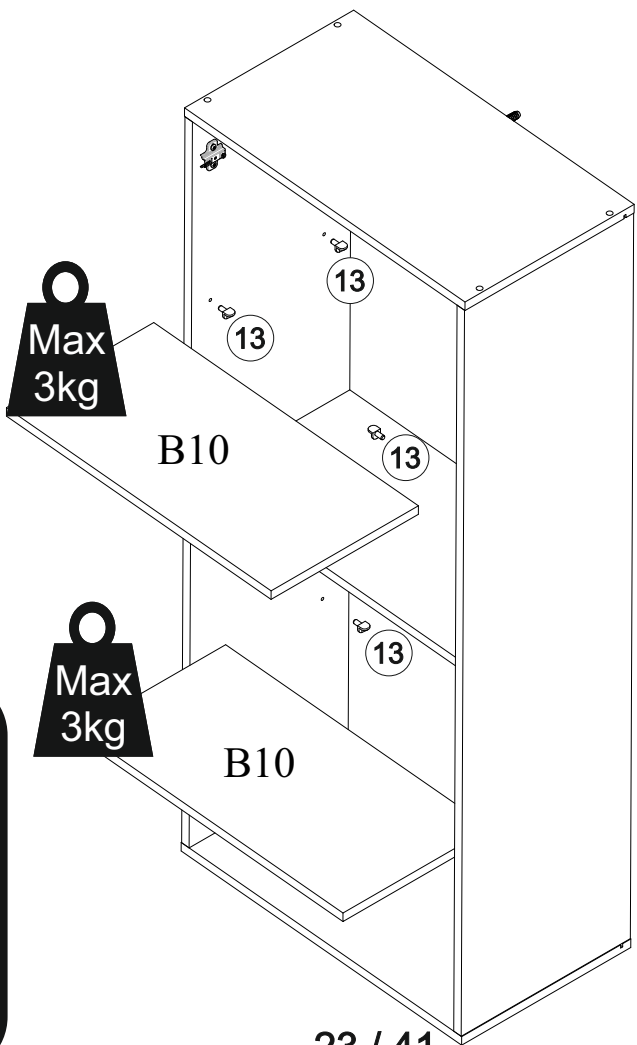
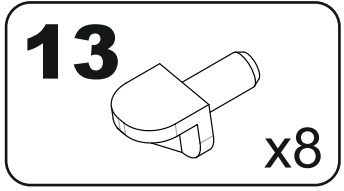
10



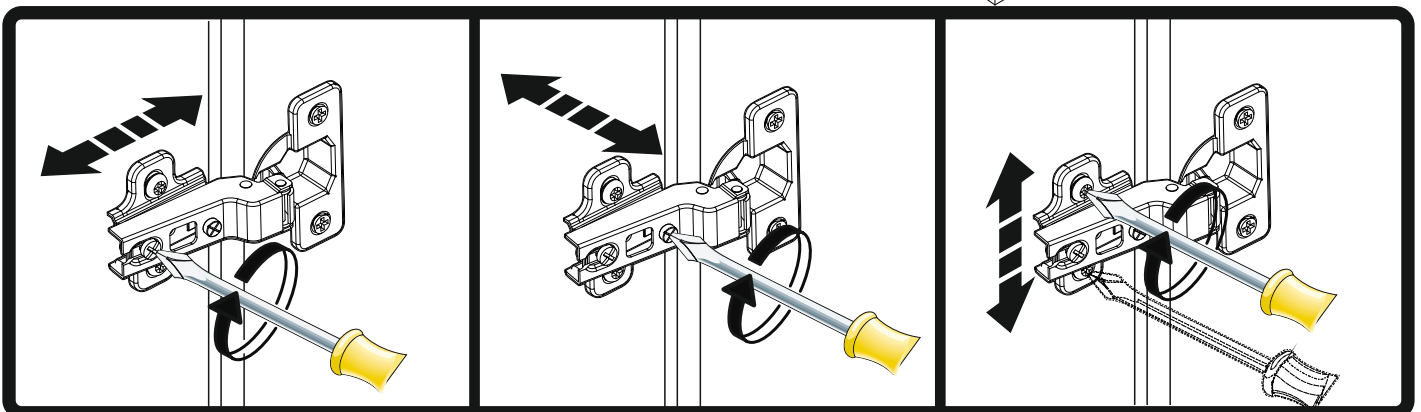
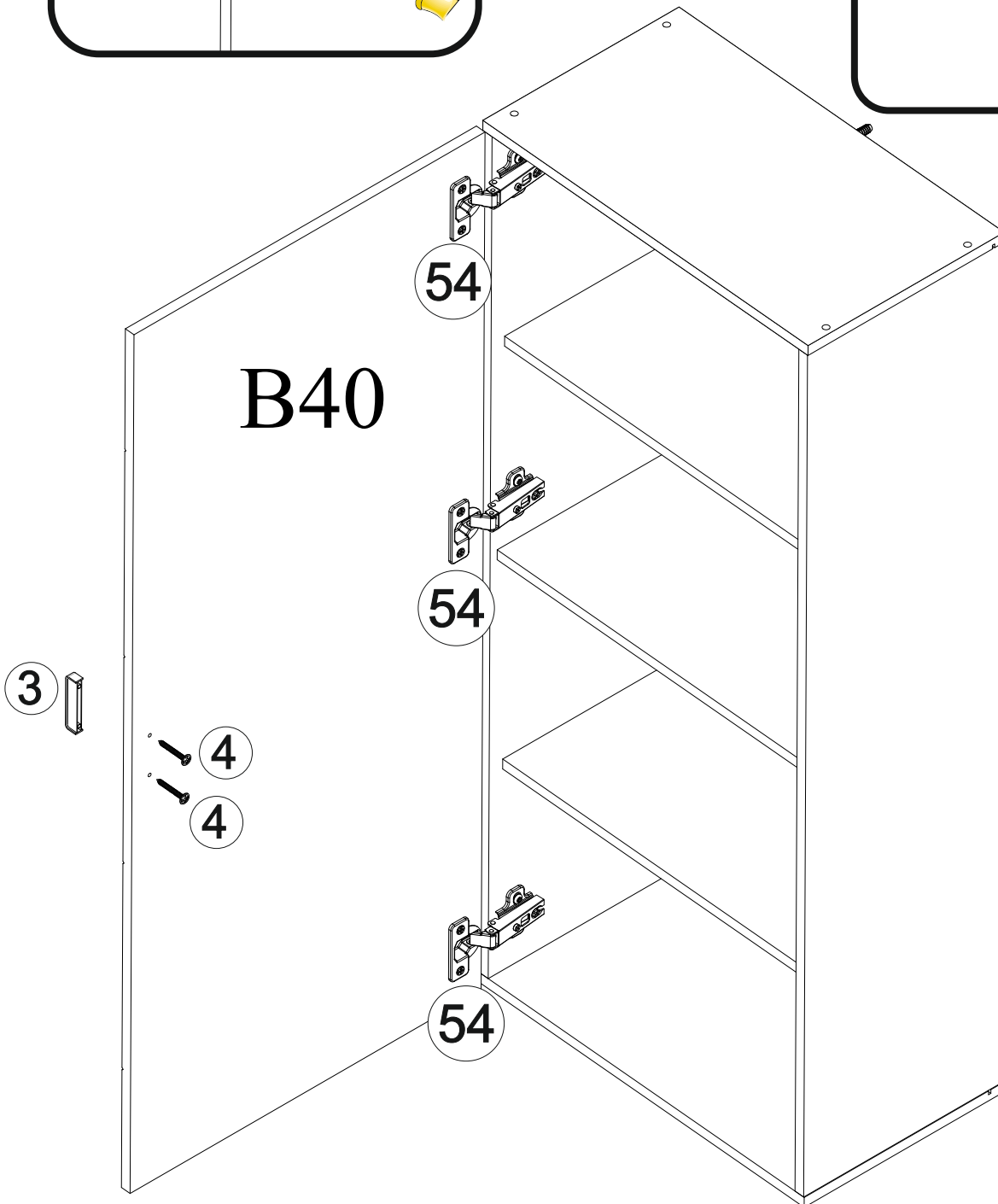
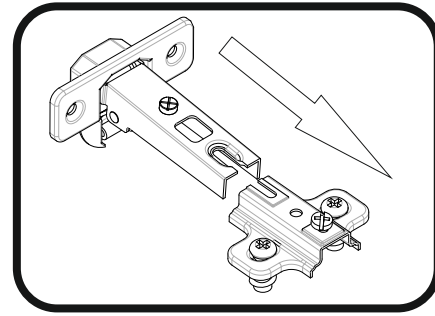
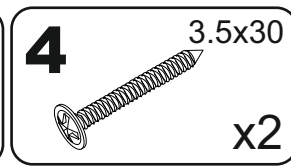
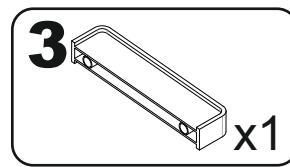
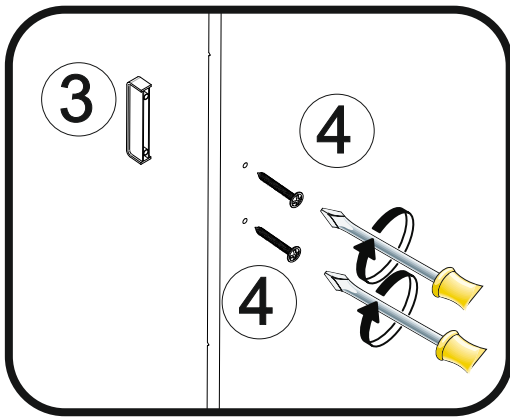
11

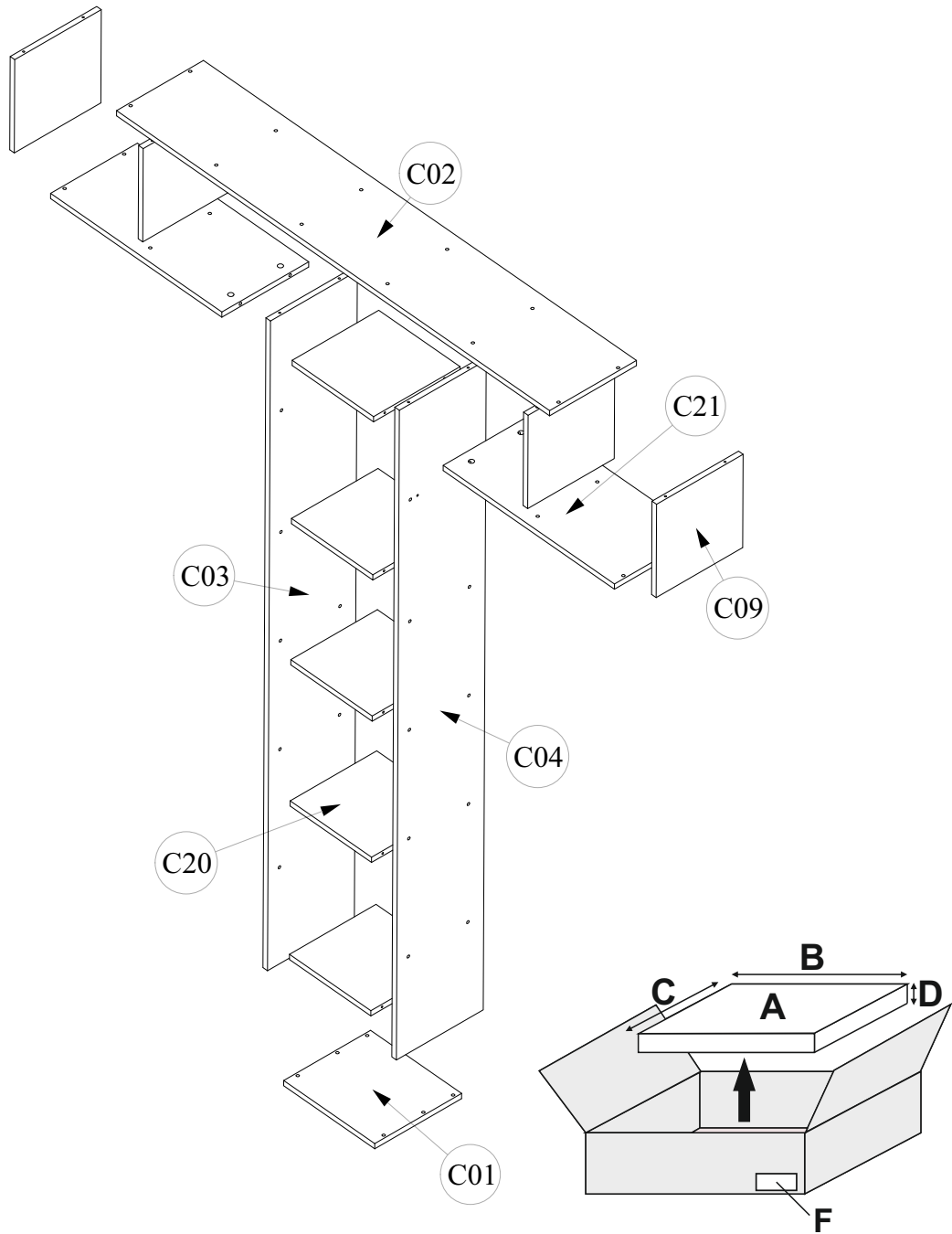
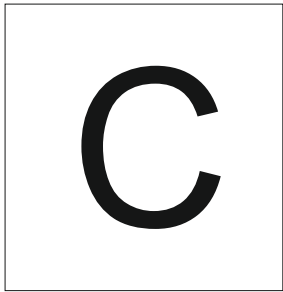


12

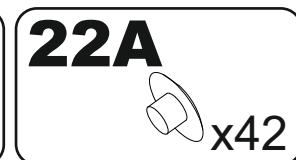
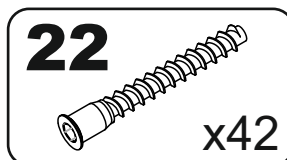
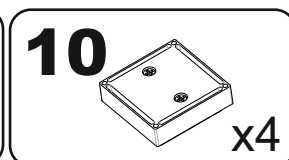
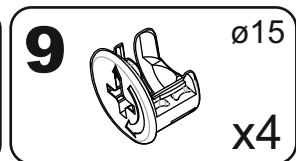
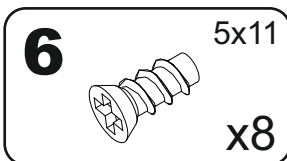
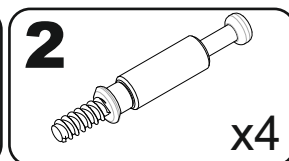
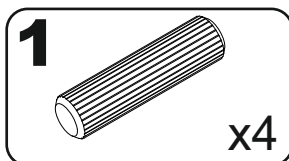


13

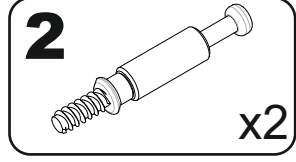
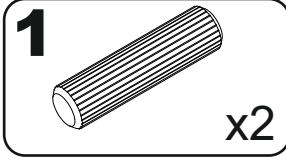
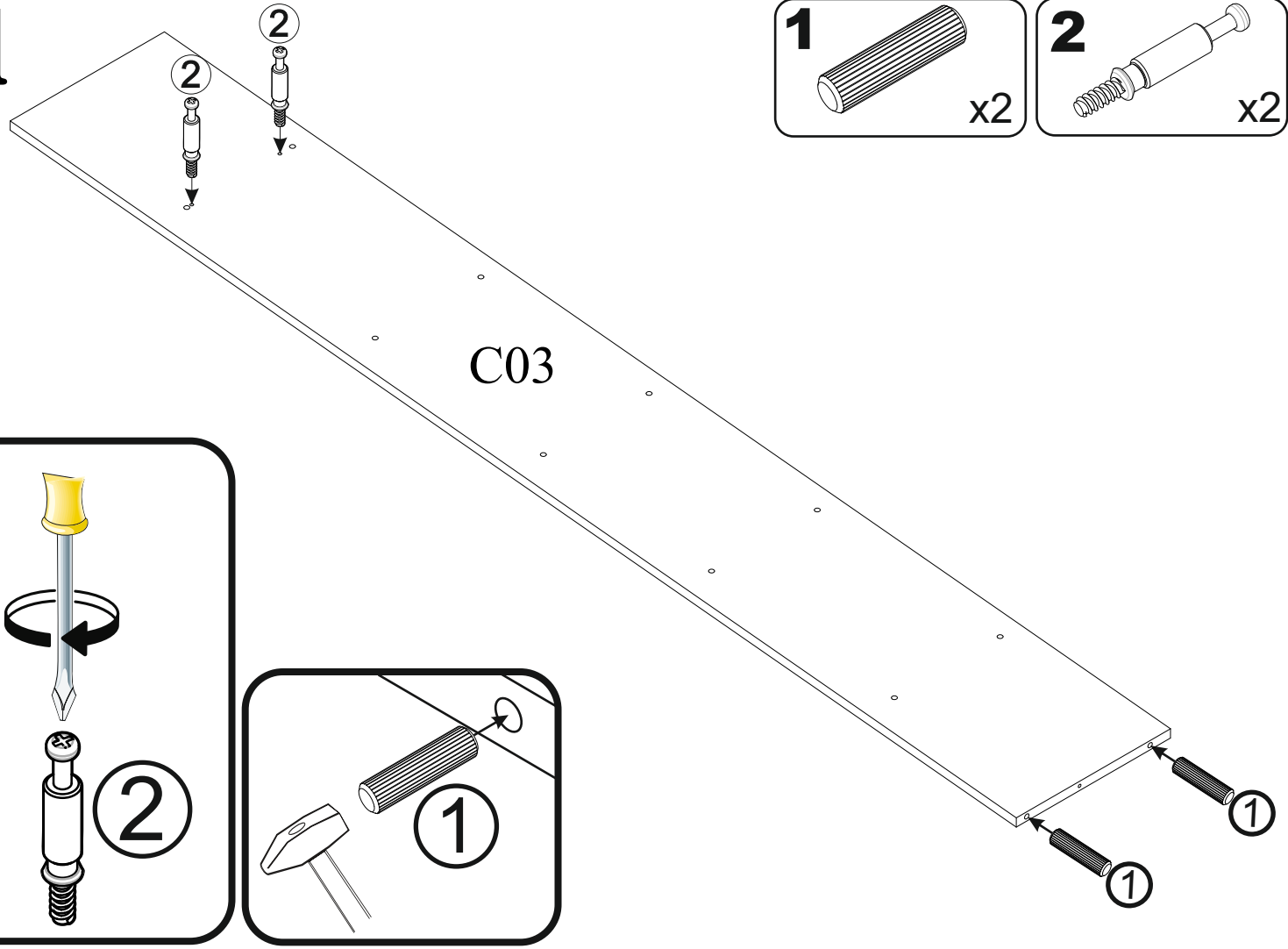




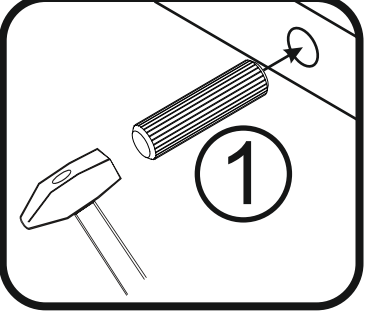
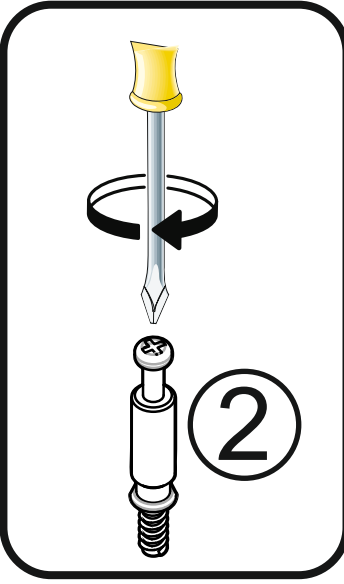
A	B (mm)	C (mm)	D (mm)		F
C01	320	280	16	x1	6/6
C02	1522	280	16	x1	6/6
C03	1992	280	16	x1	6/6
C04	1992	280	16	x1	6/6
C09	286	279	16	x4	6/6
C20	286	279	16	x5	6/6
C21	602	280	16	x2	6/6



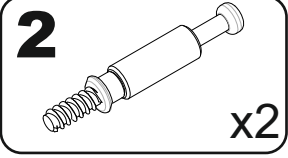
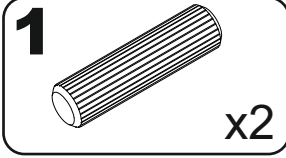
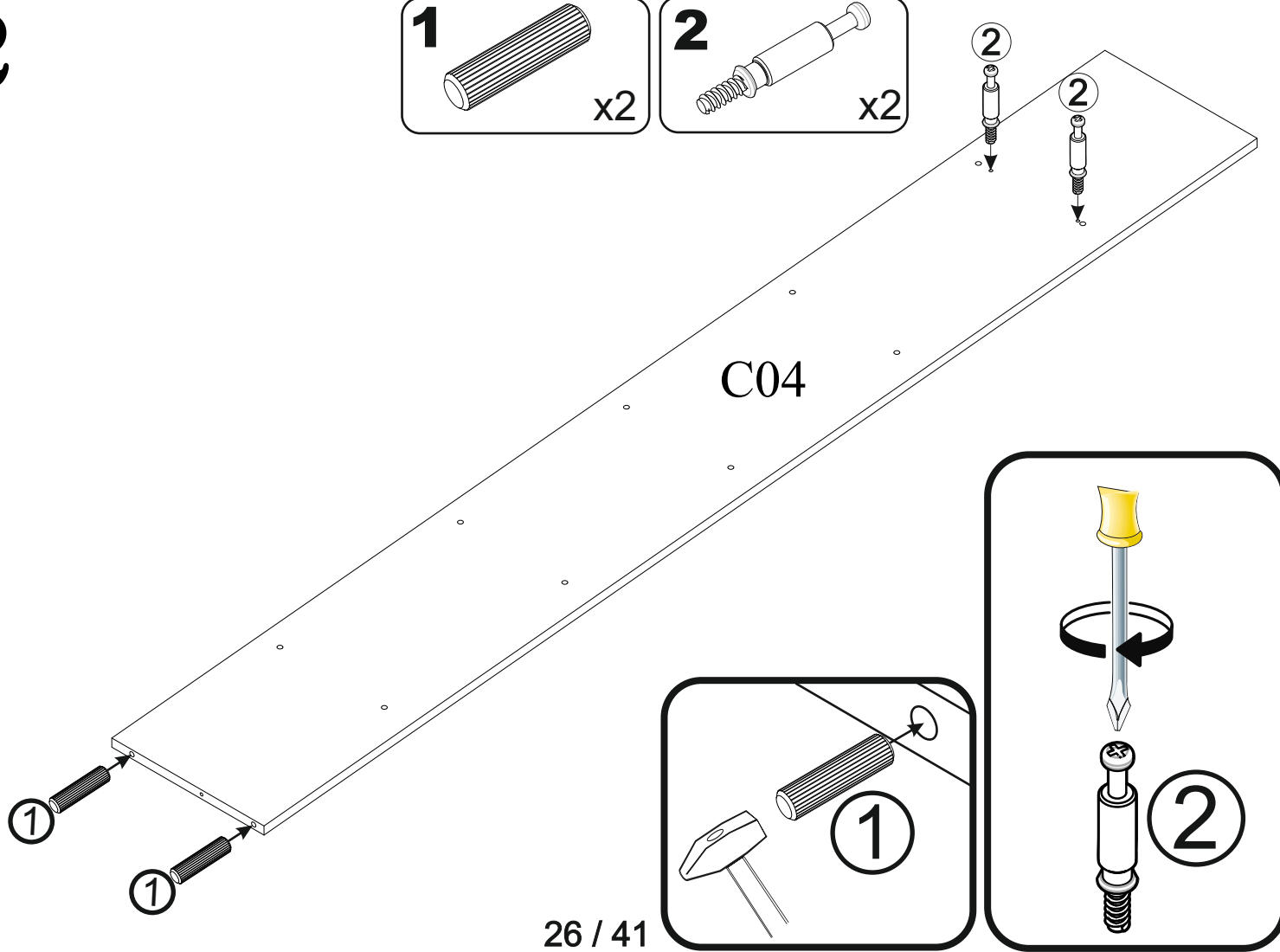
1



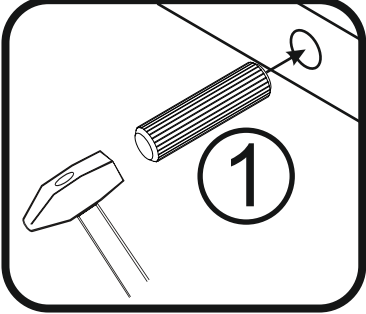
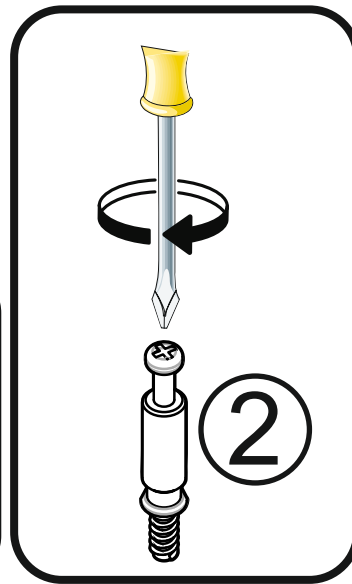
C03



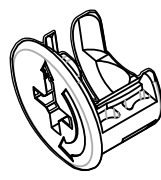
2

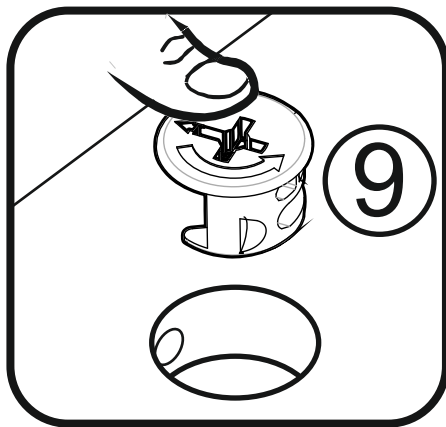
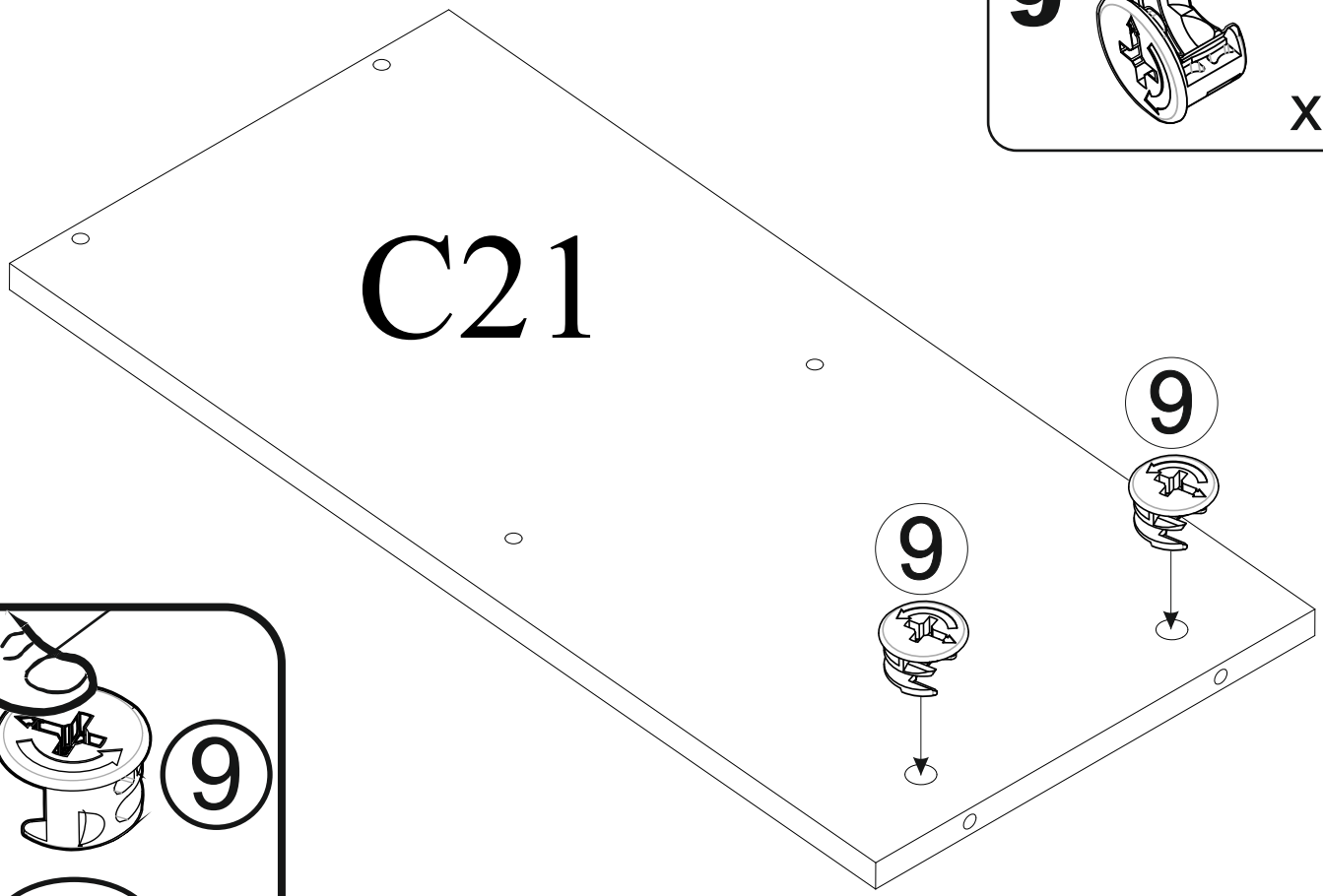


C04

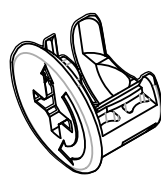


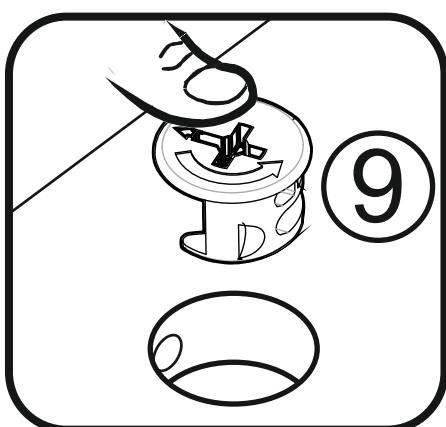
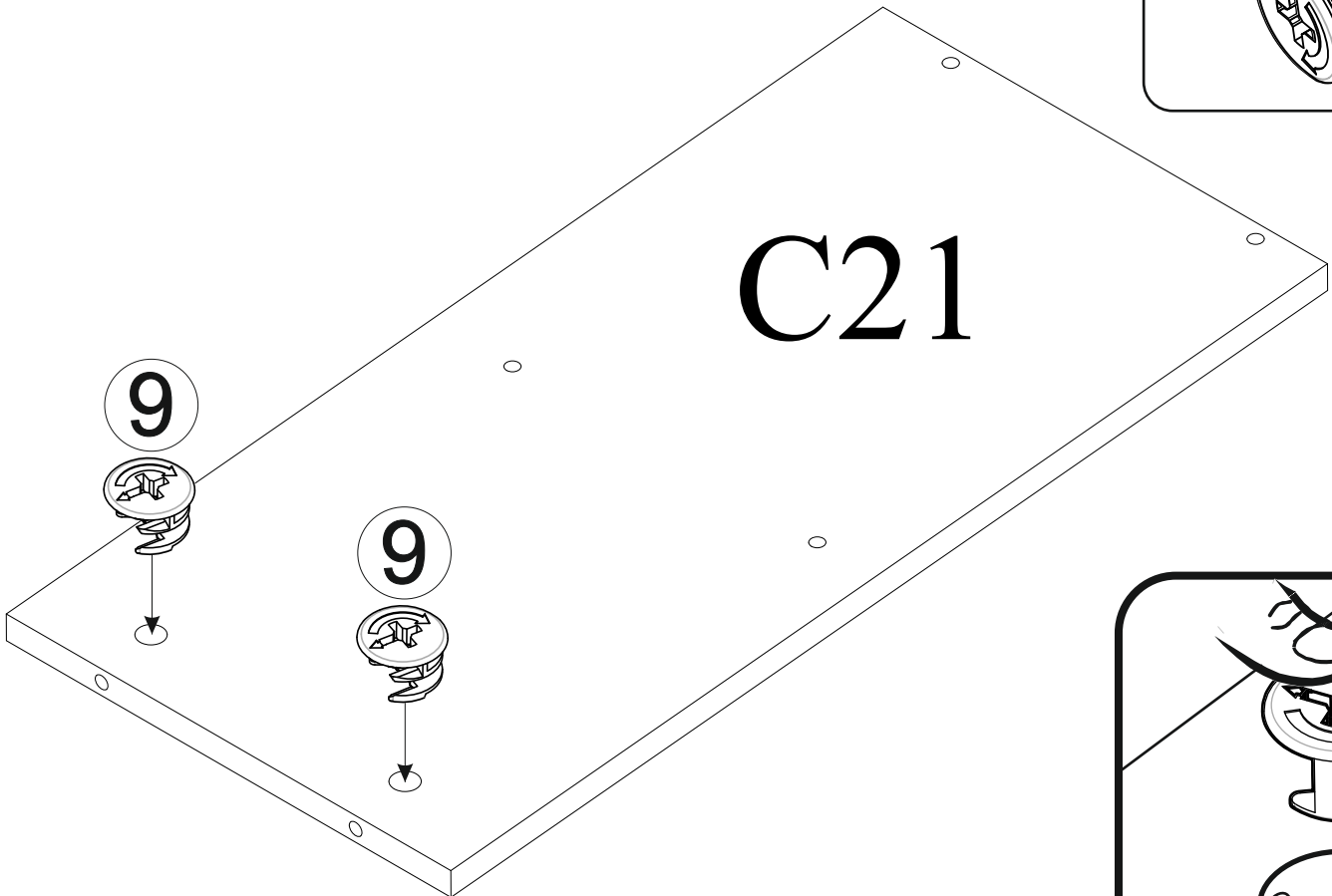
3

9  $\varnothing 15$
x2

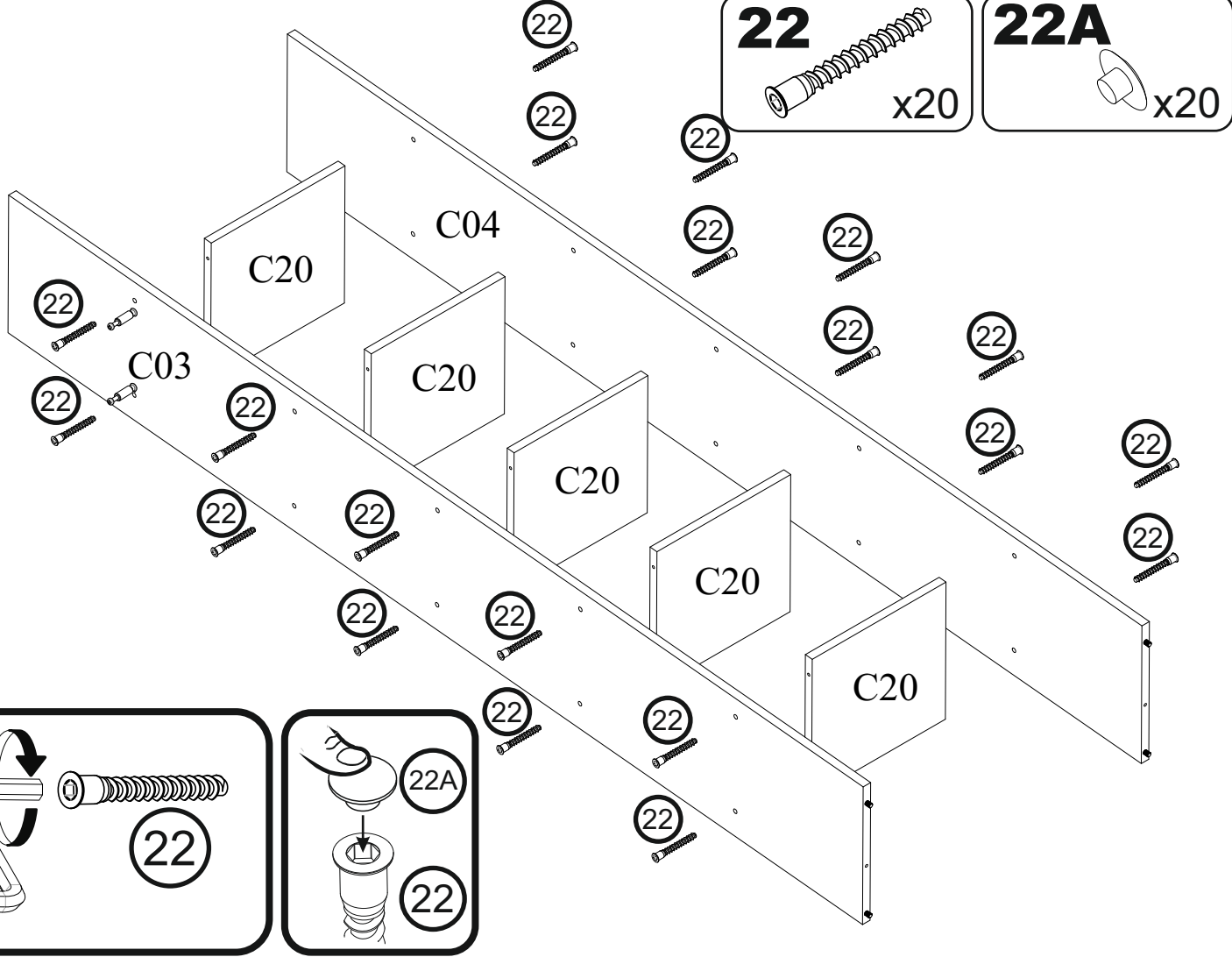


4

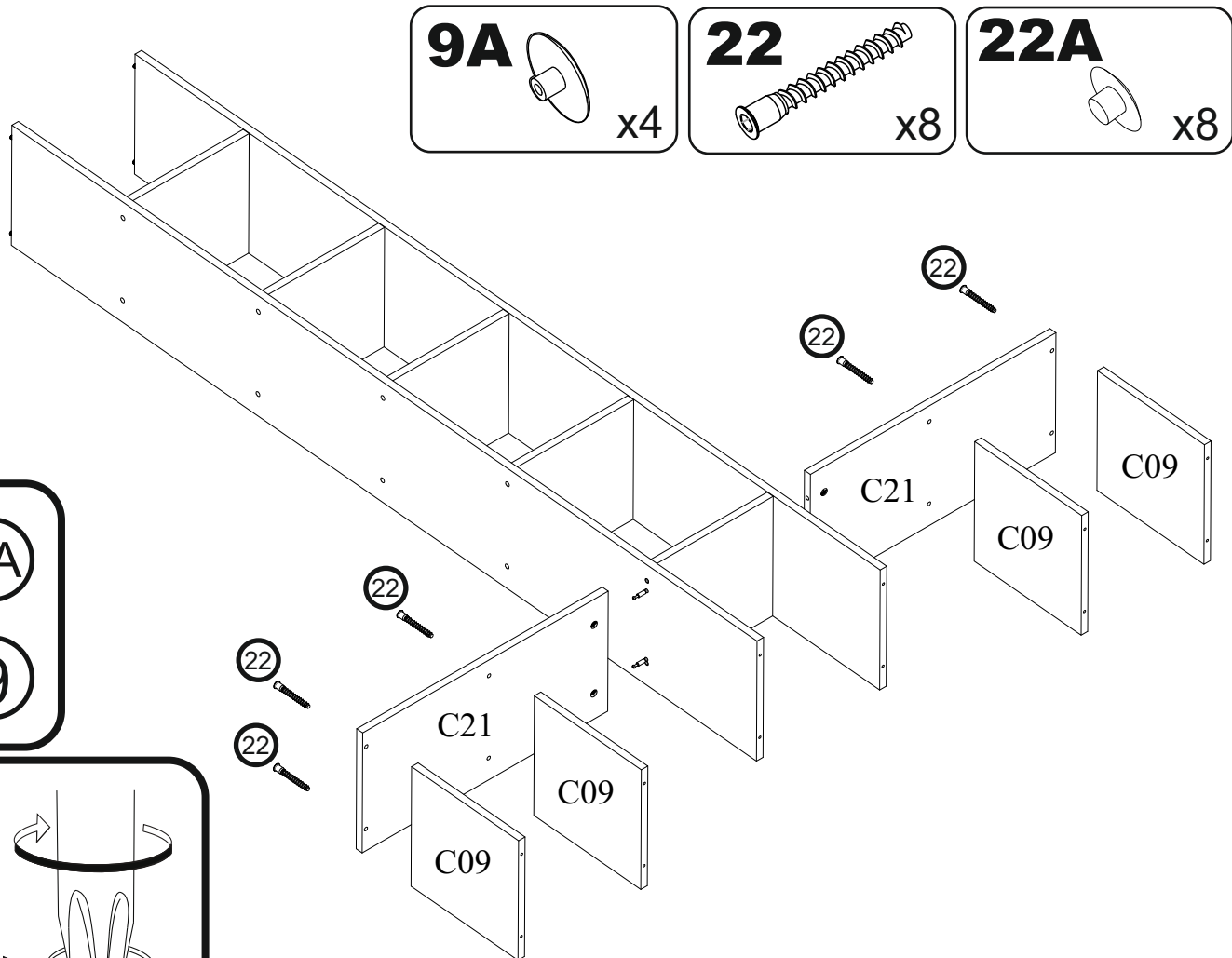
9  $\varnothing 15$
x2



5



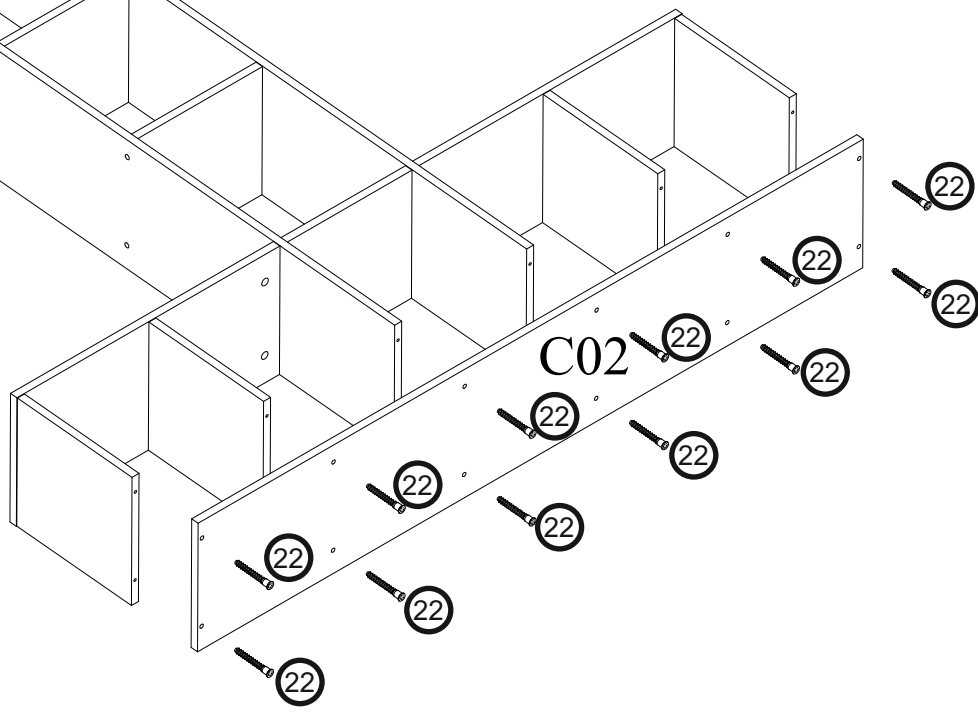
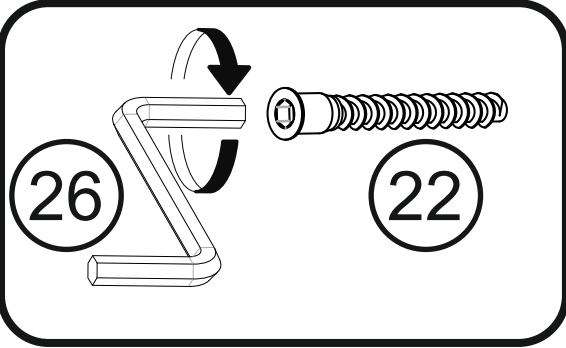
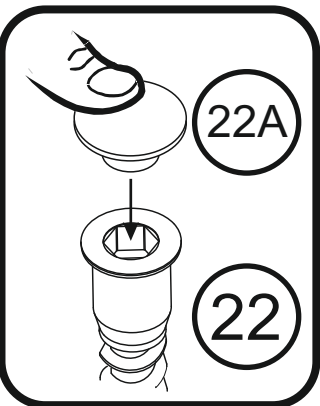
6



7

22 x12

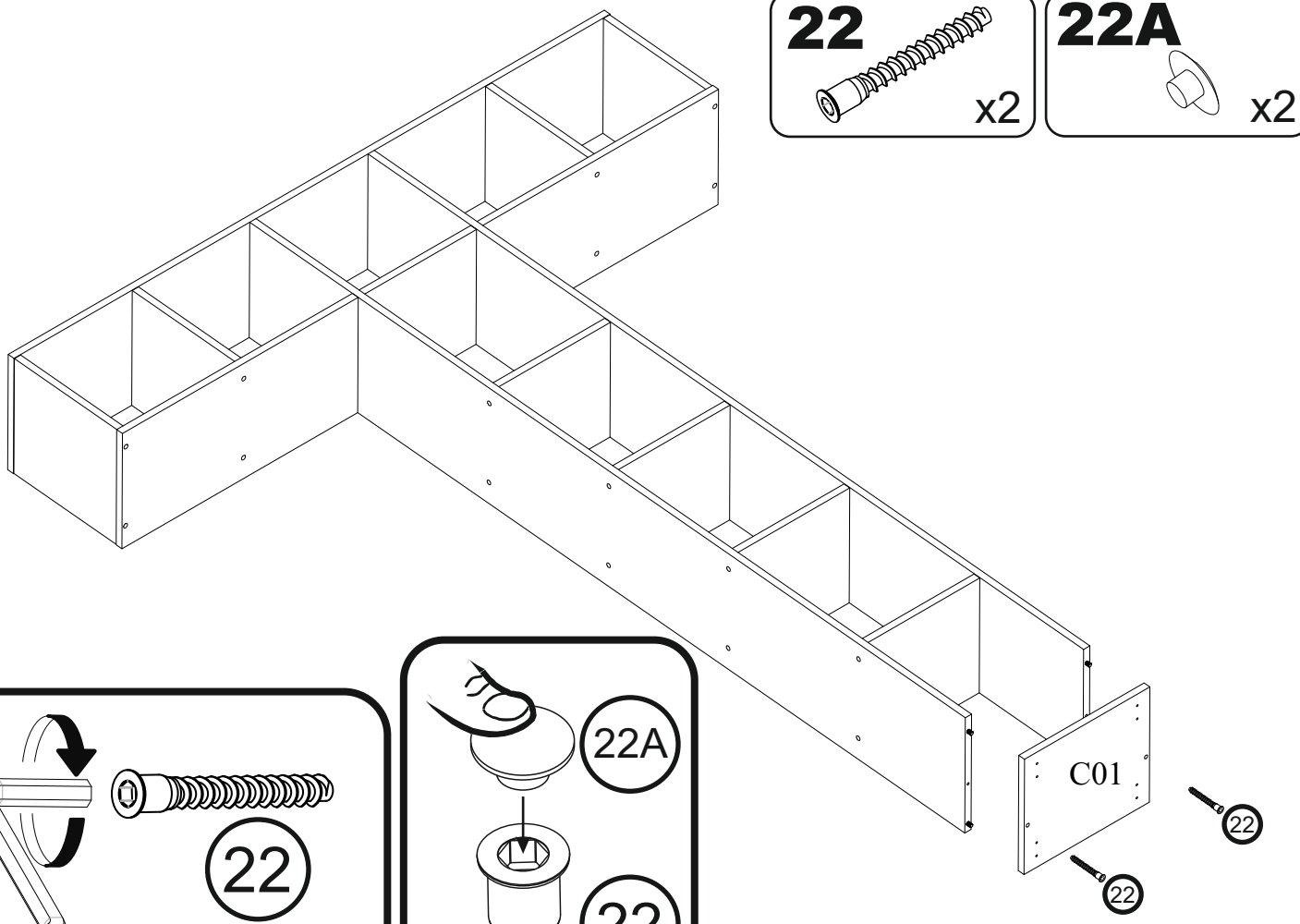
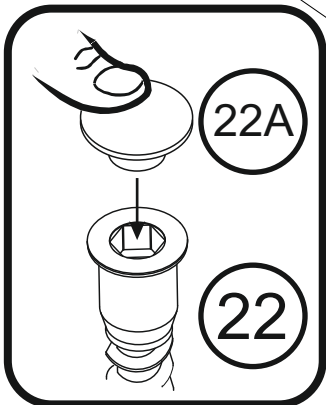
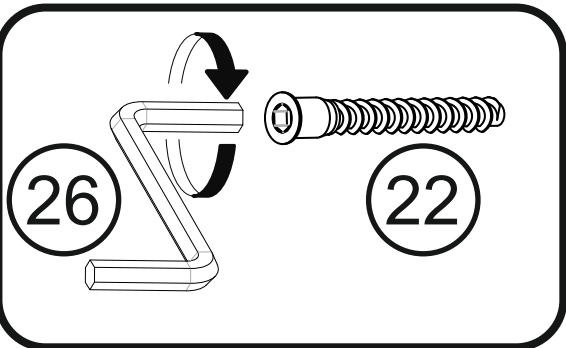
22A x12



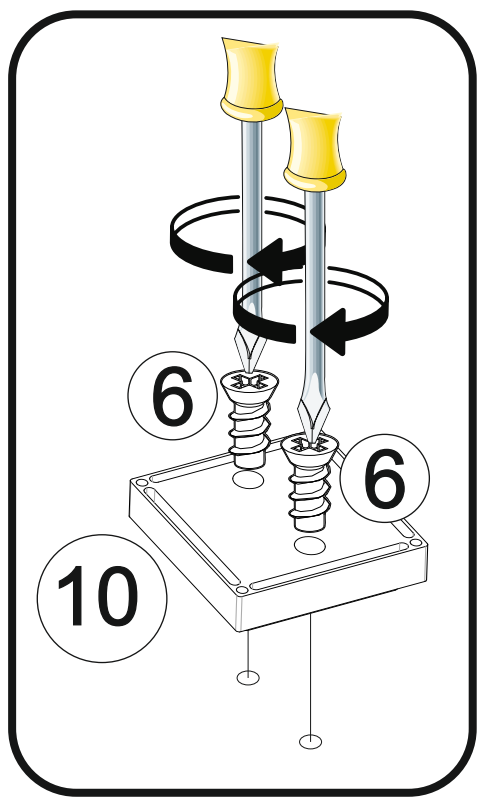
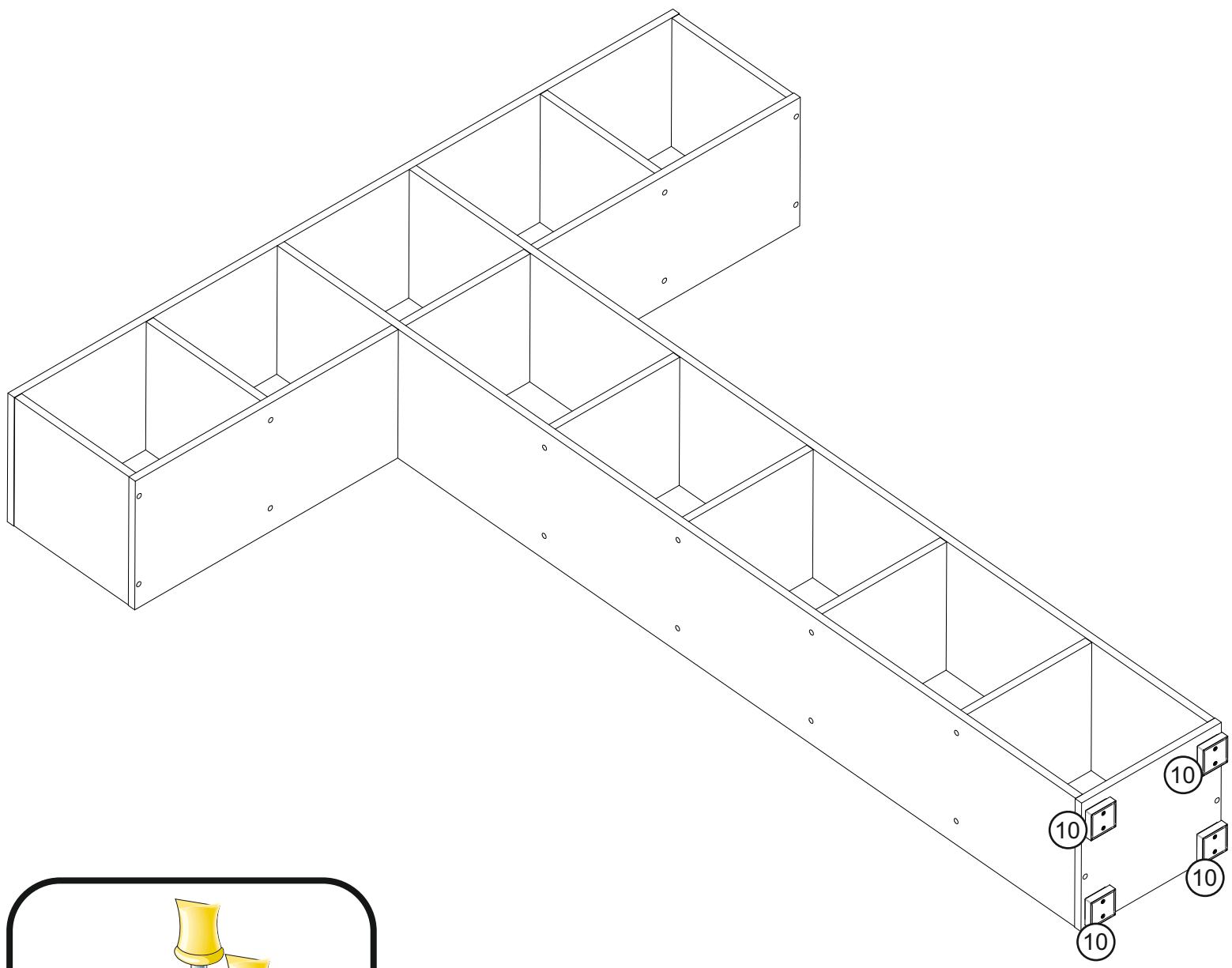
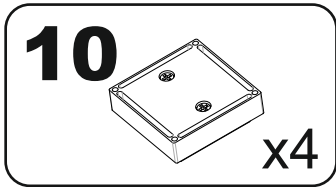
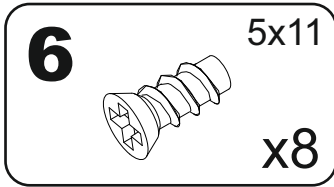
8

22 x2

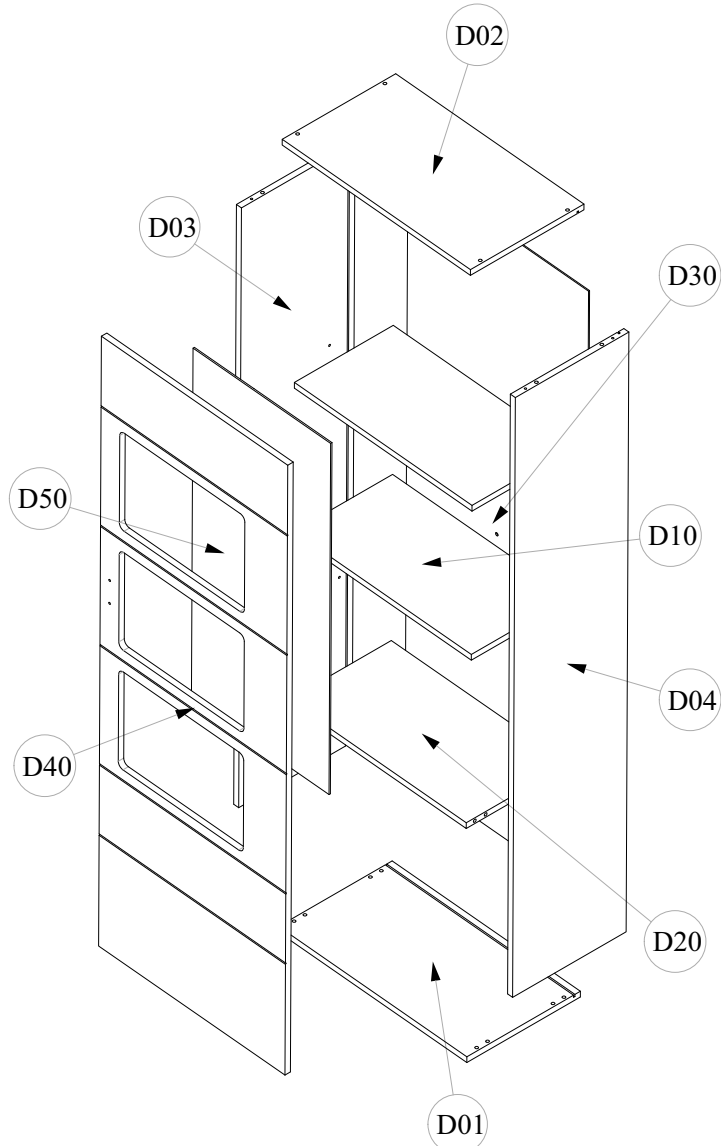
22A x2



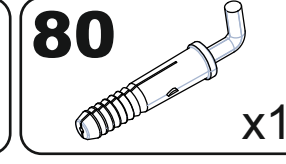
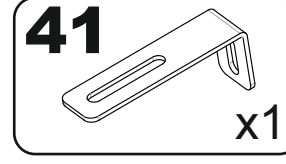
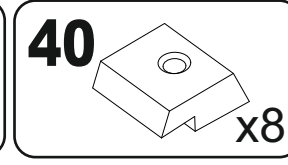
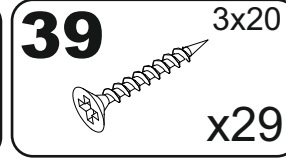
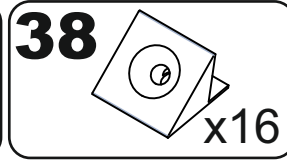
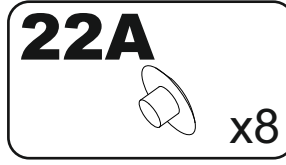
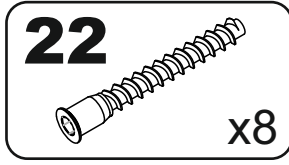
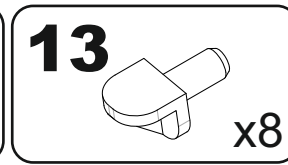
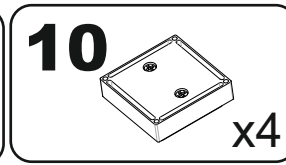
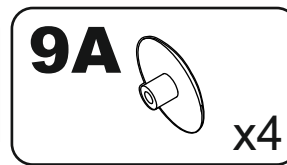
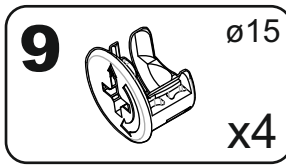
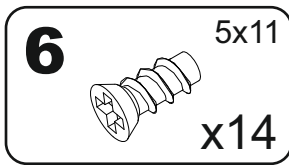
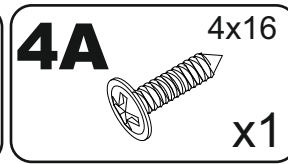
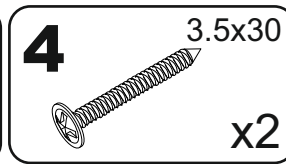
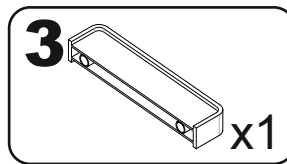
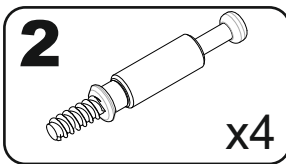
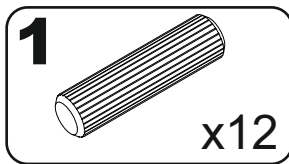
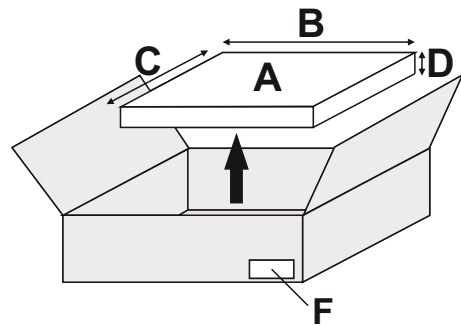
9

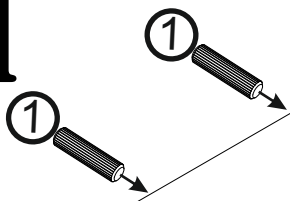


D

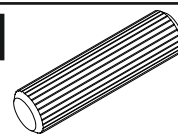


A	B (mm)	C (mm)	D (mm)	E	F
D01	602	333	16	x1	1/6
D02	602	333	16	x1	1/6
D03	1674	333	16	x1	2/6
D04	1674	333	16	x1	2/6
D10	568	290	16	x2	1/6
D20	568	301	16	x1	1/6
D30	1684	578	3	x1	3/6
D40	1702	596	16	x1	3/6
D50	980	440	4	x1	3/6

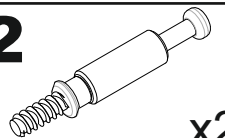


1

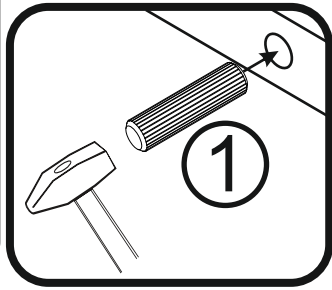
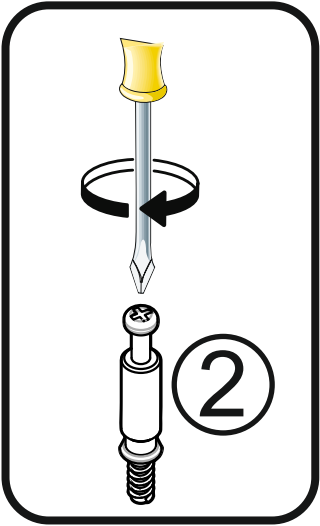
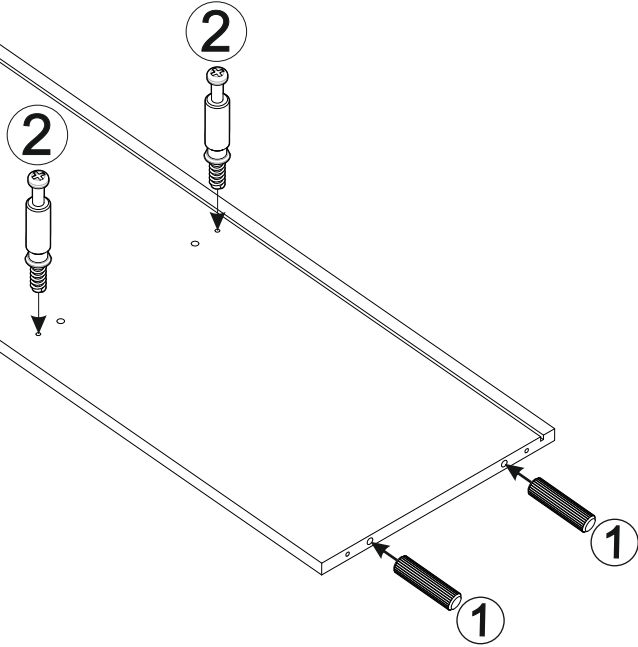
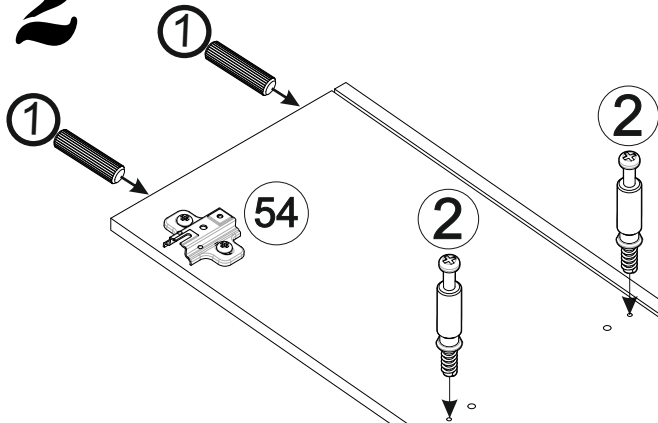
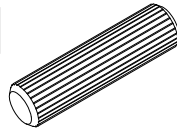
D03

1

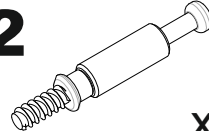
x4

2

x2

**2****1**

x4

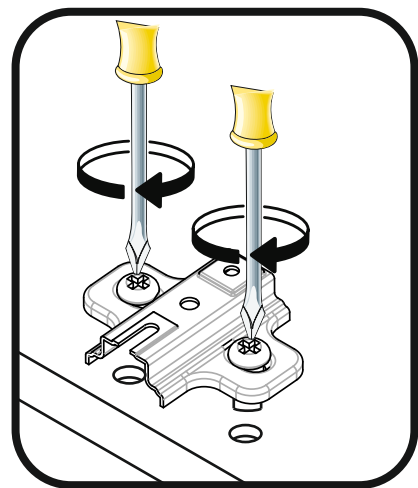
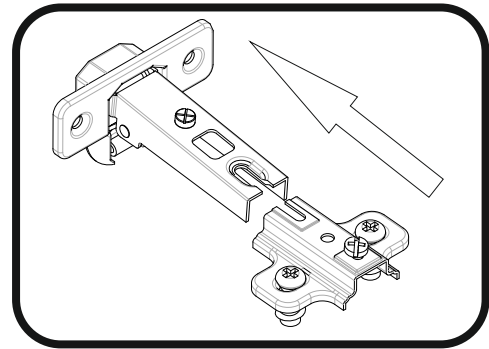
2

x2

54

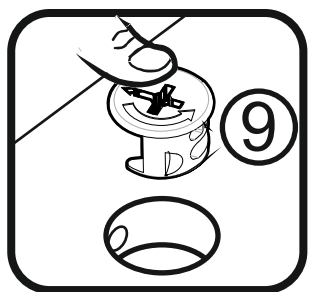
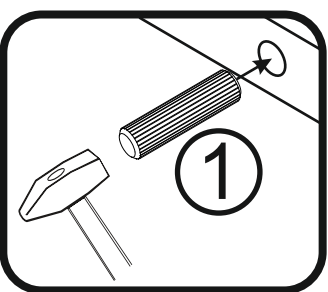
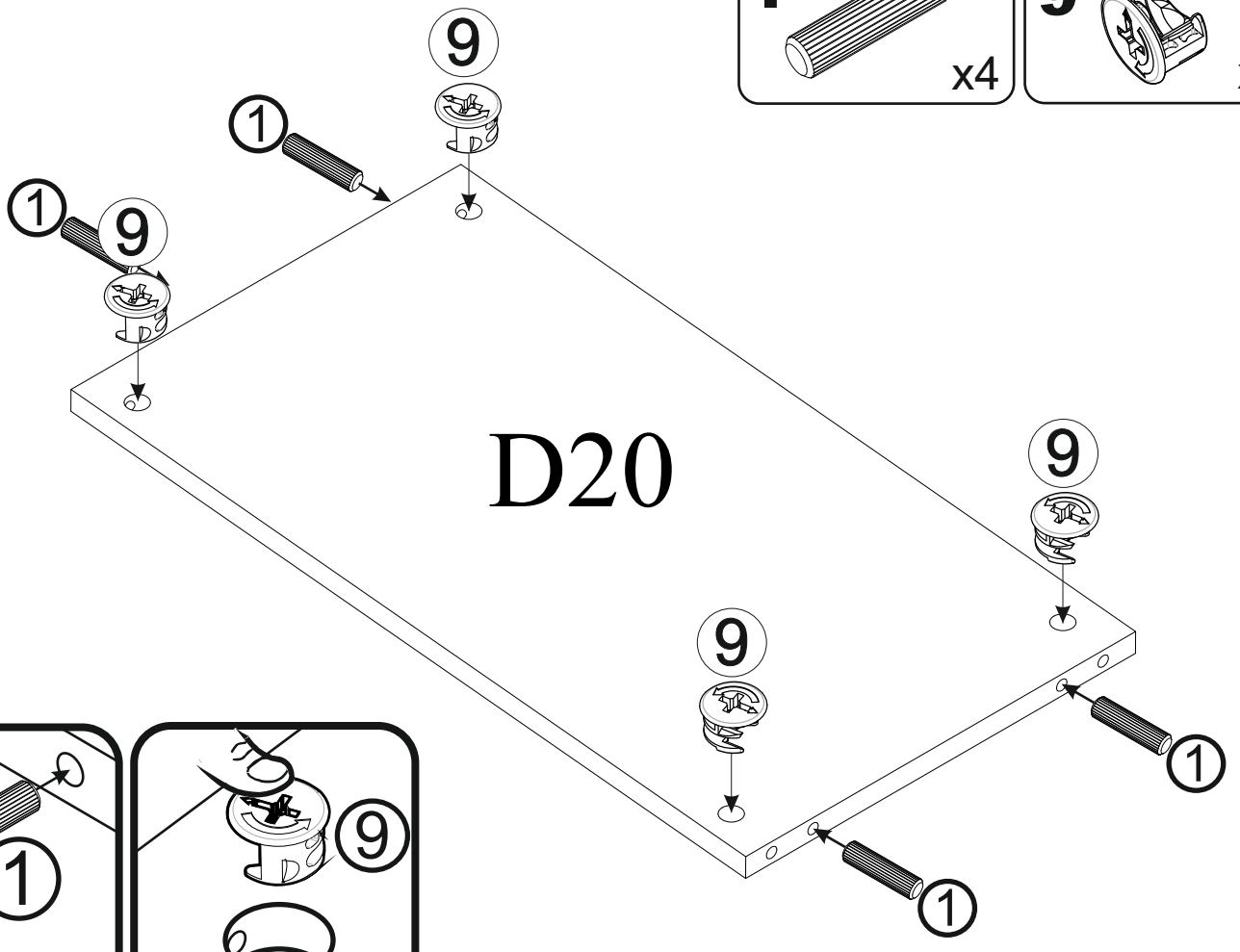
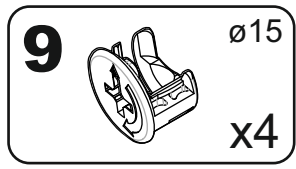
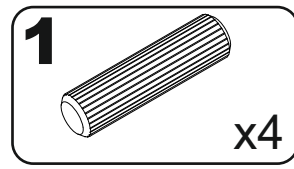
ø35

x3

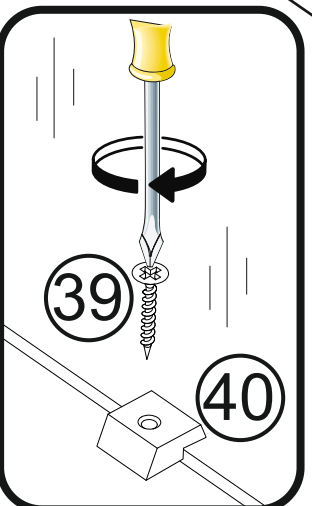
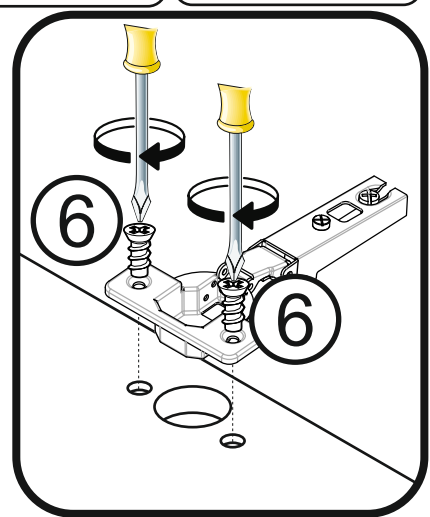
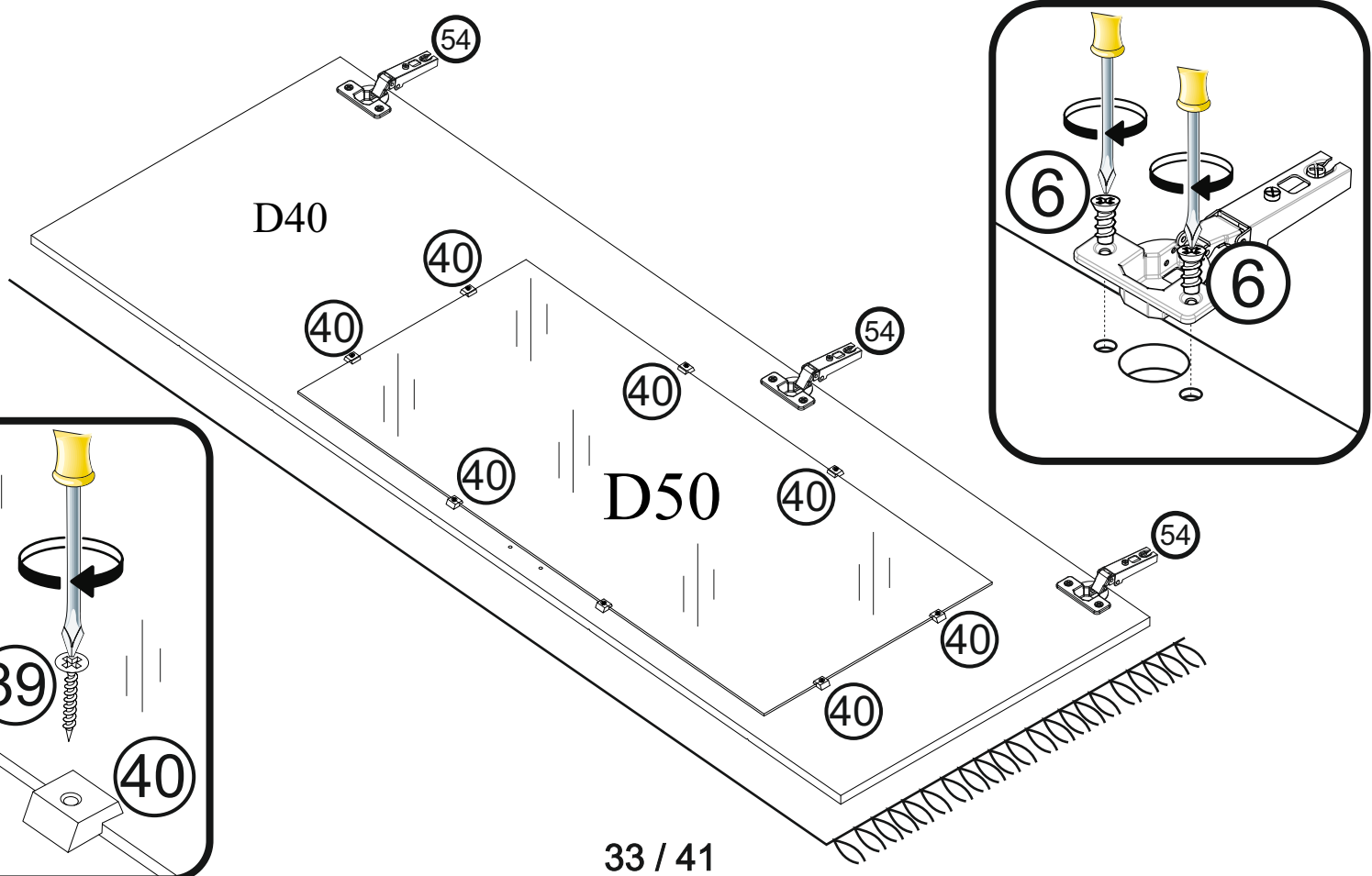
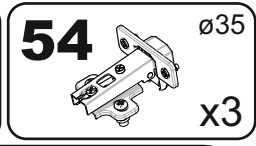
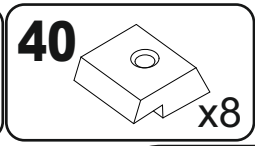
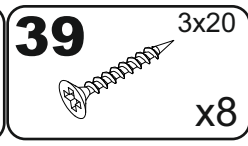
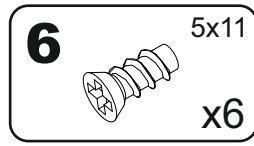


D04

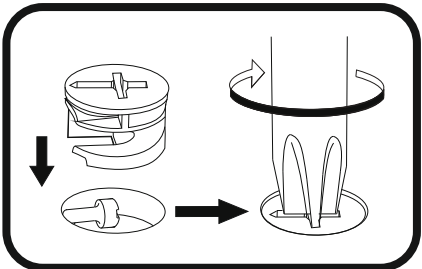
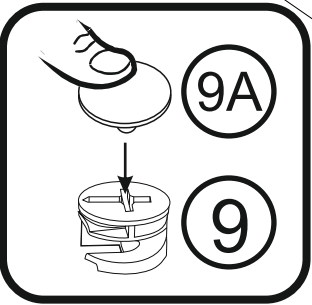
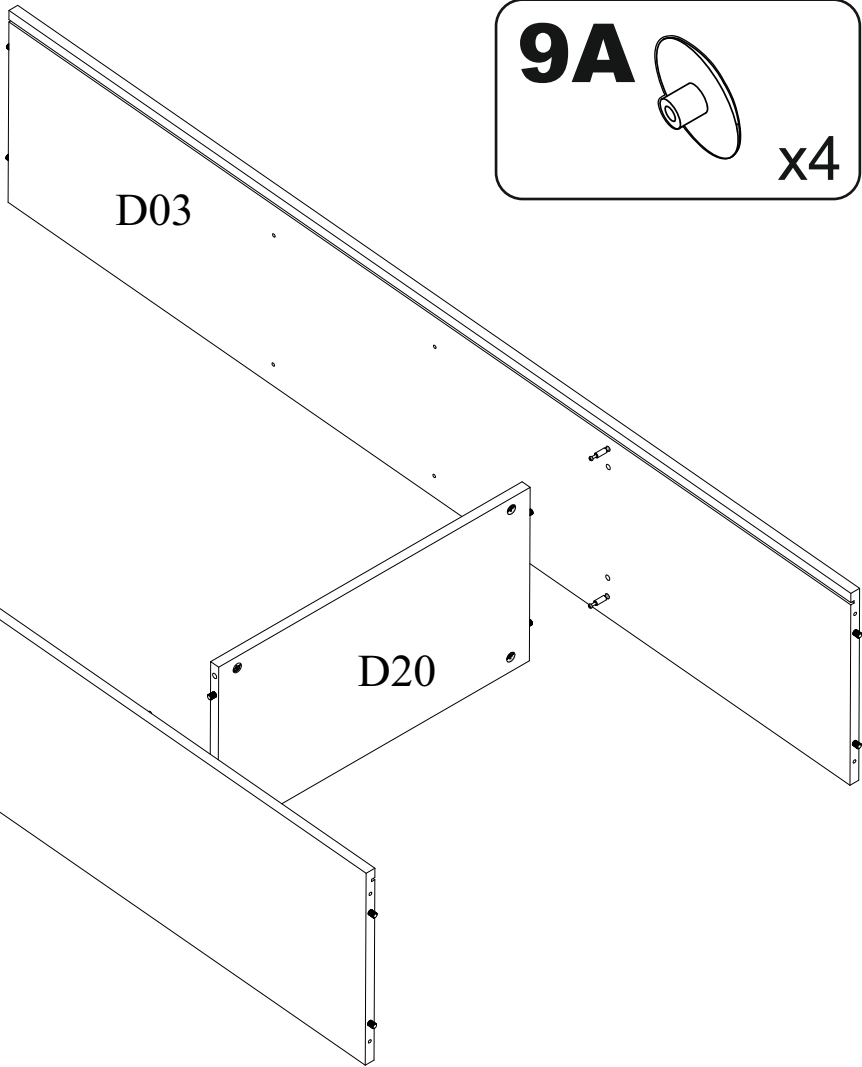
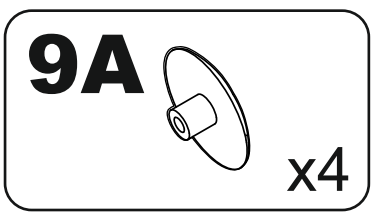
3



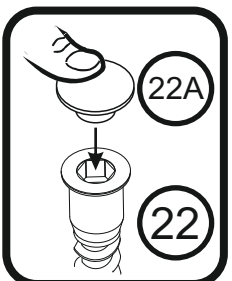
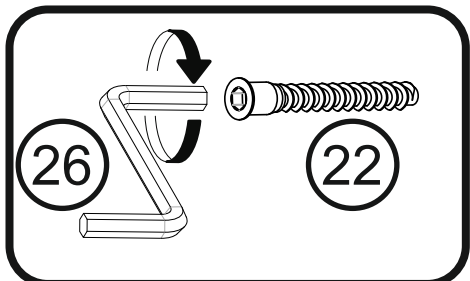
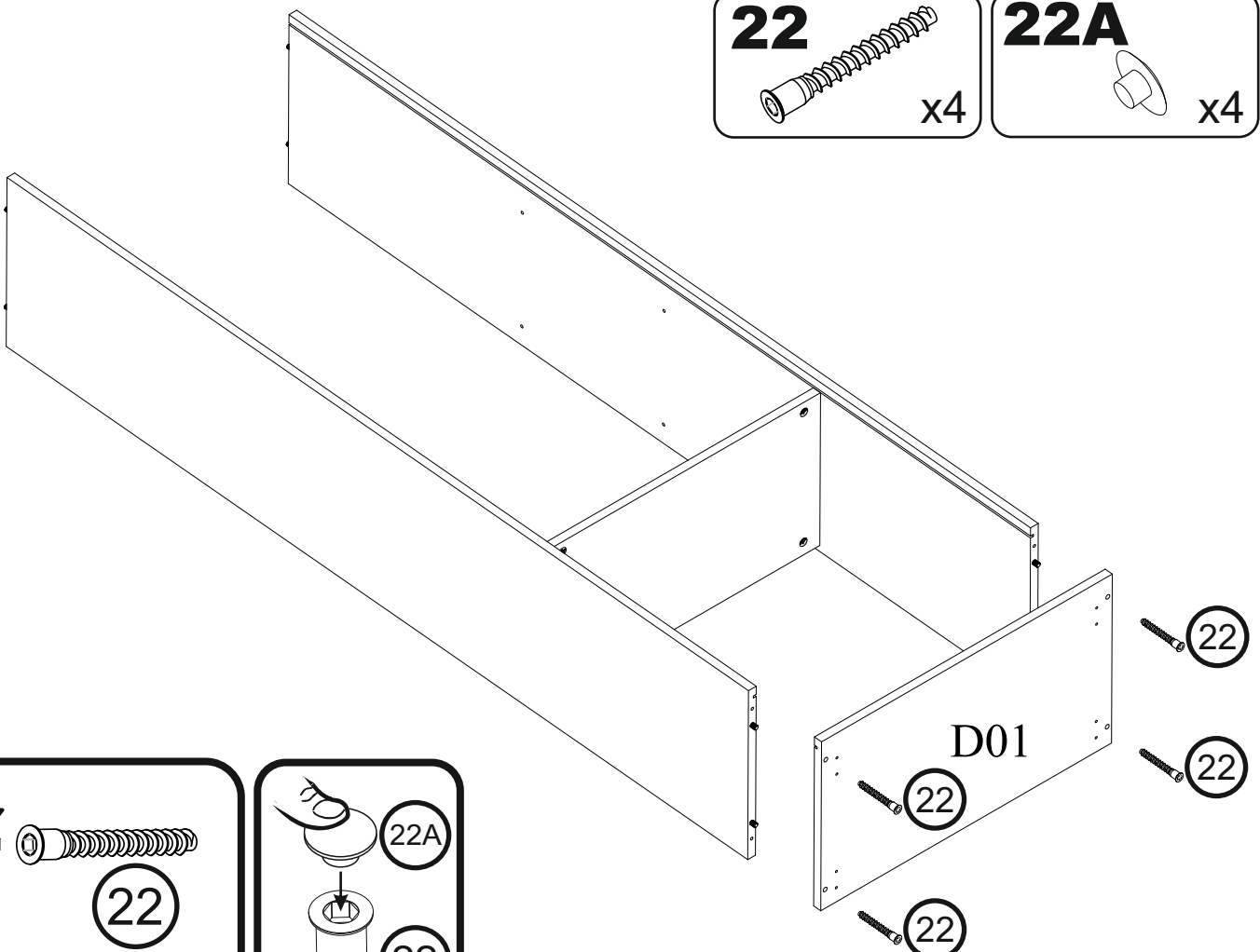
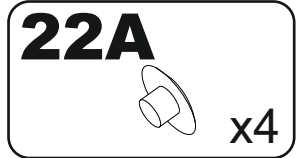
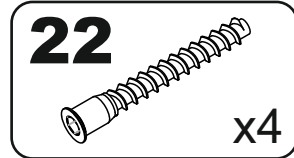
4



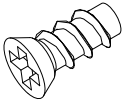
5

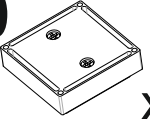


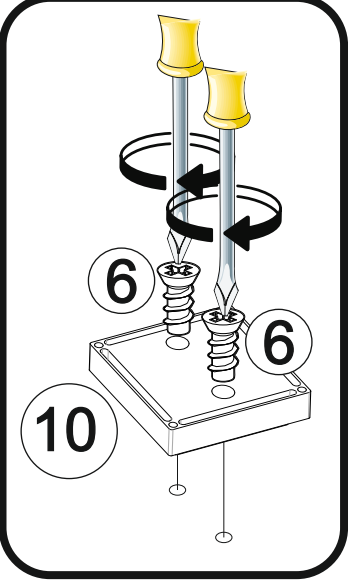
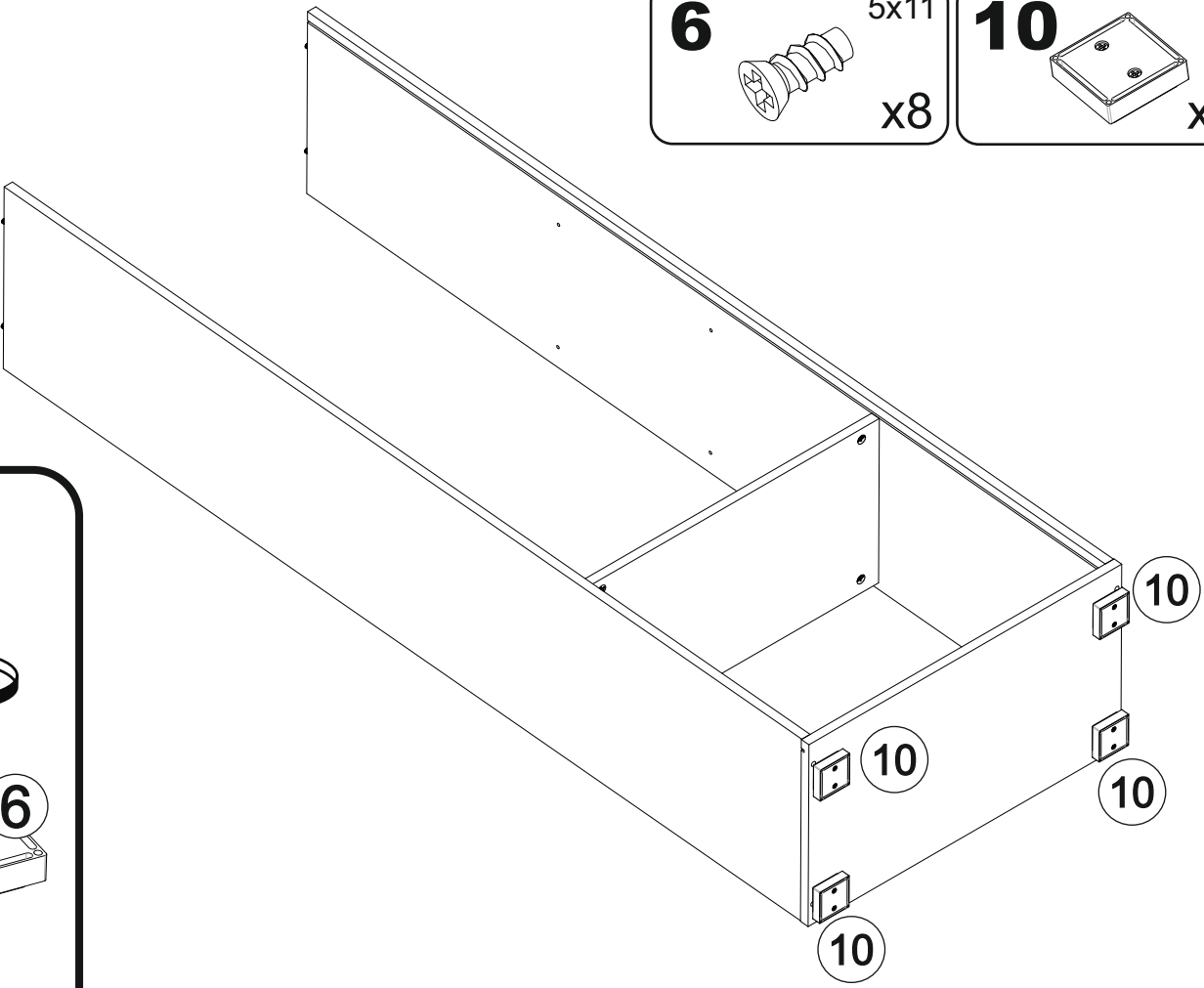
6



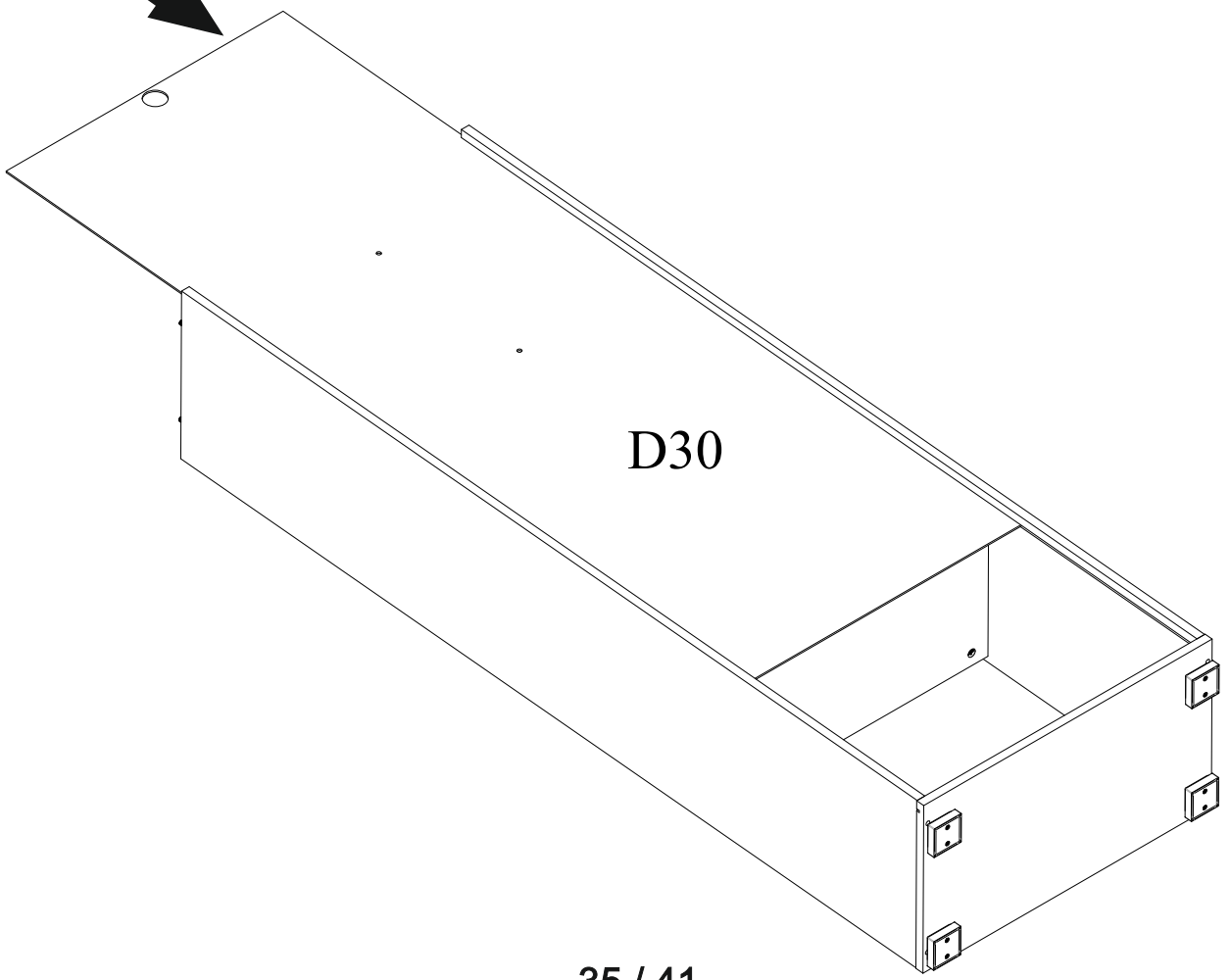
7

6 5x11 x8 

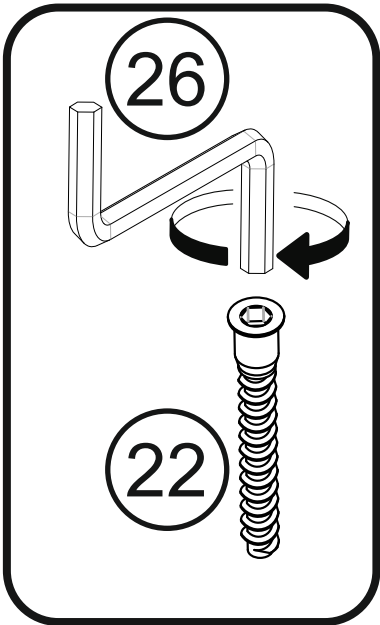
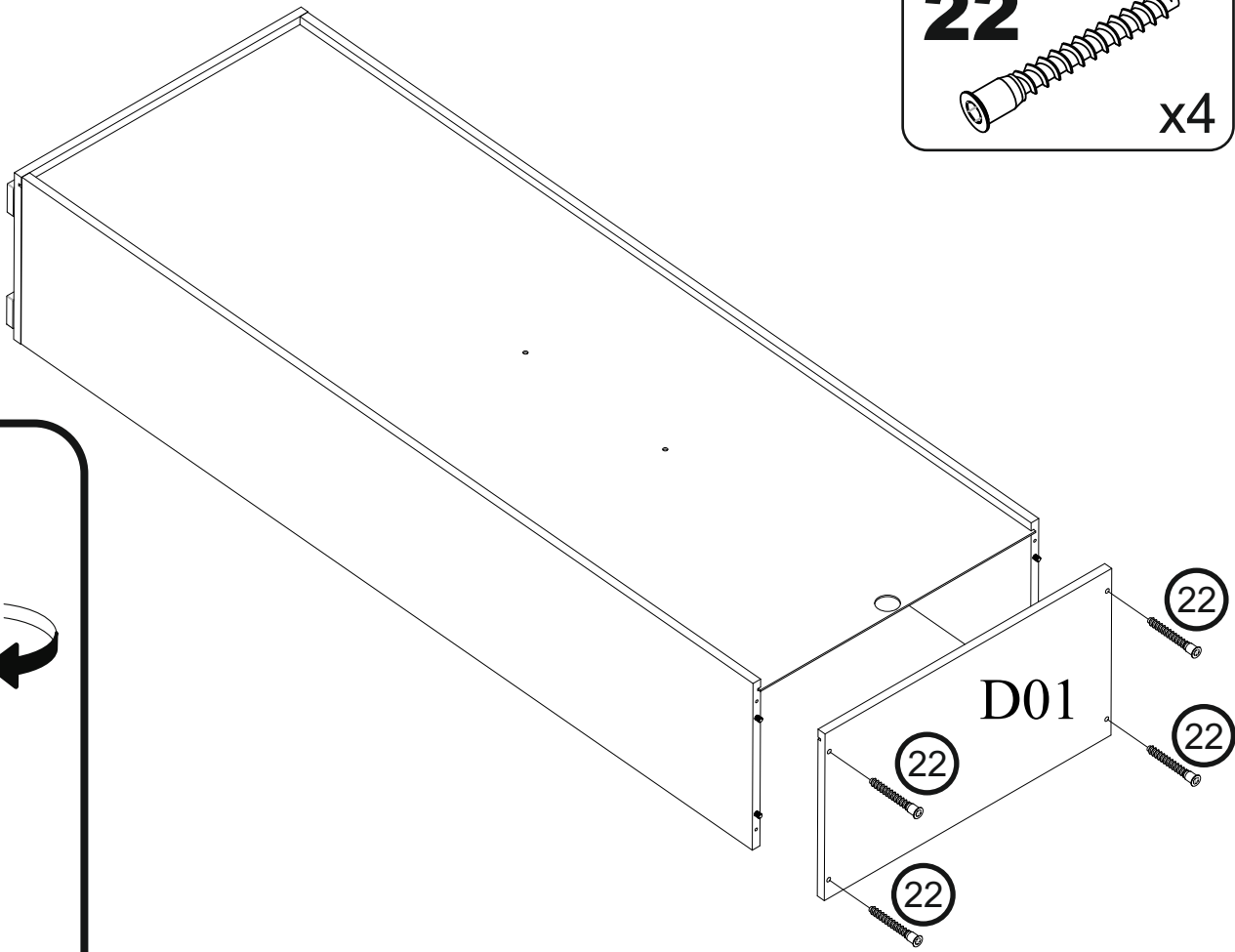
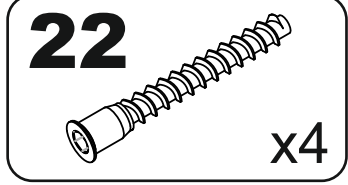
10  x4



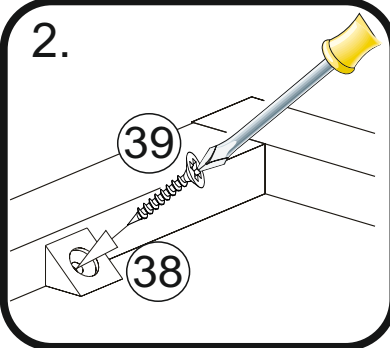
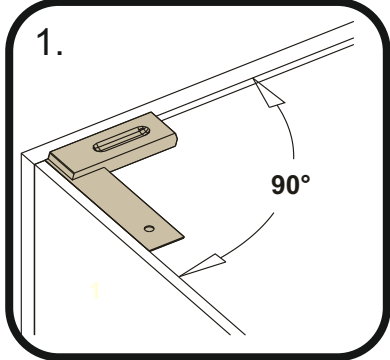
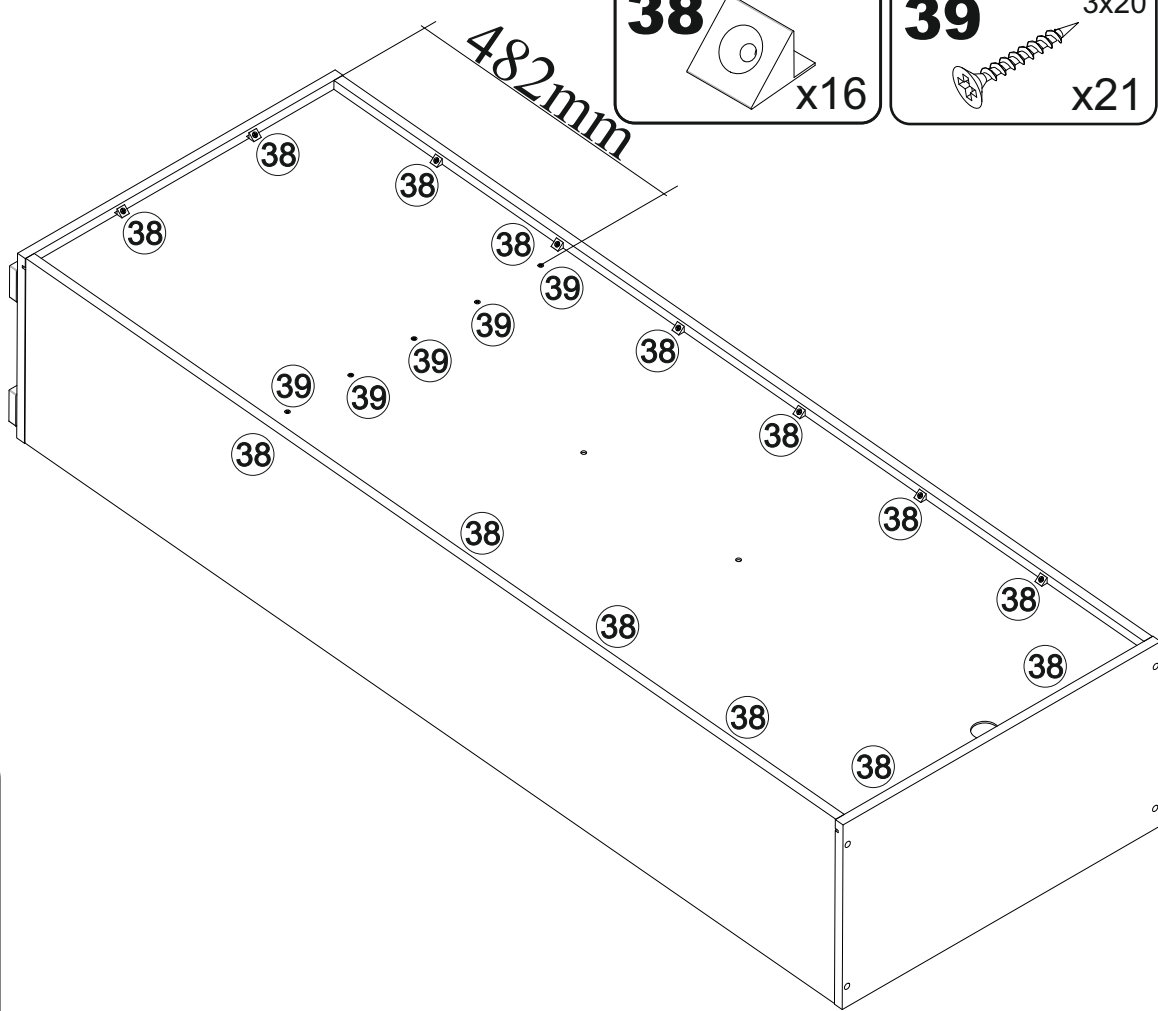
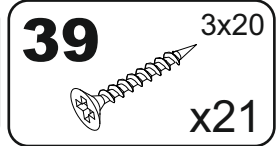
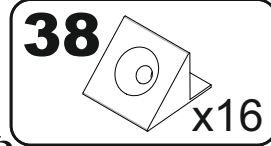
8



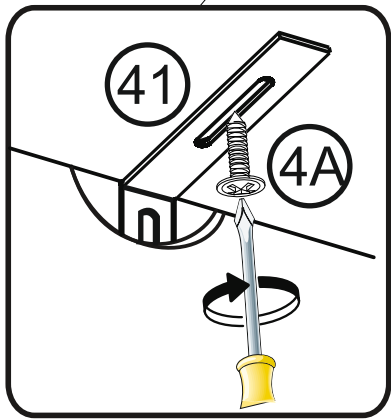
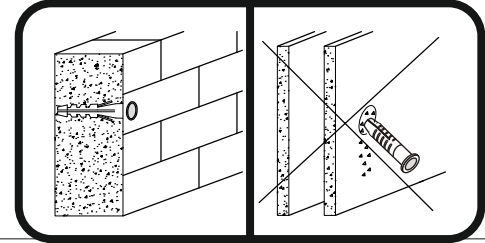
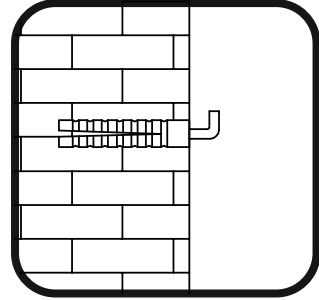
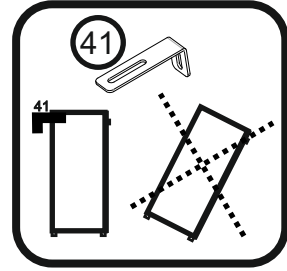
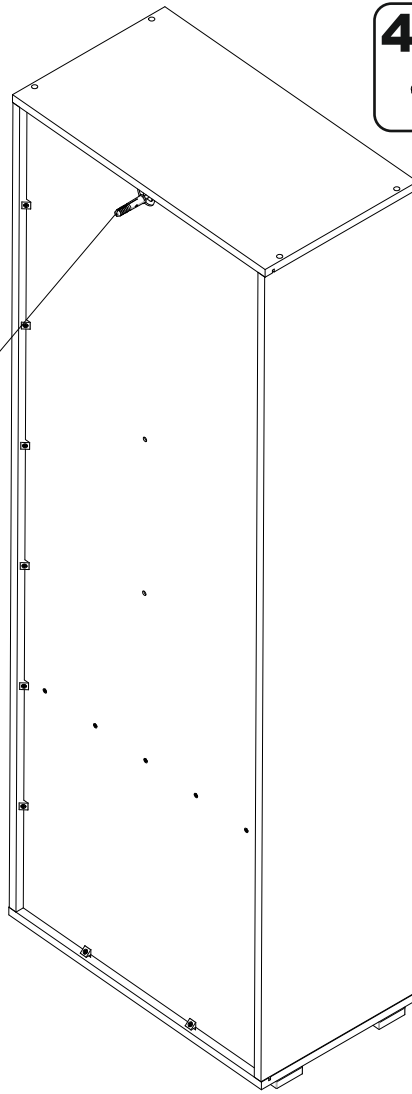
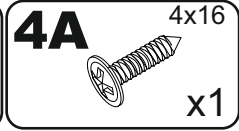
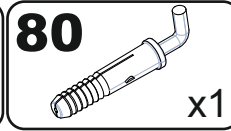
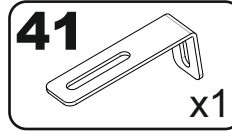
9



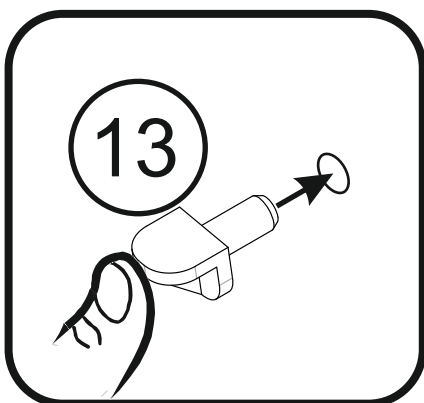
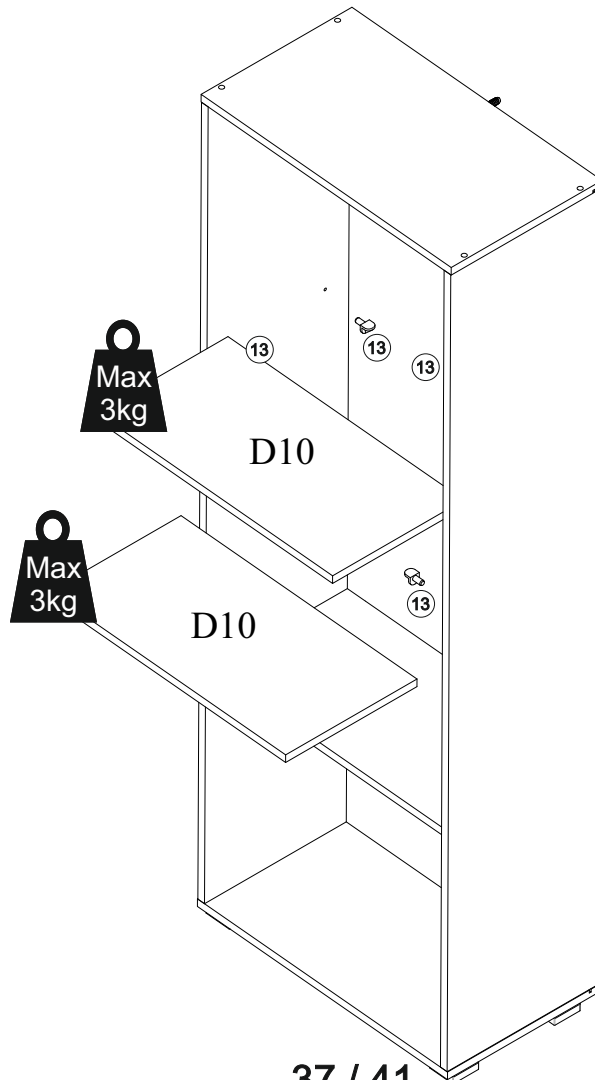
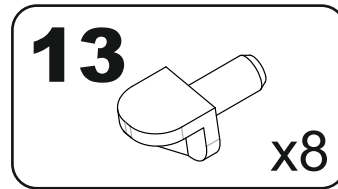
10



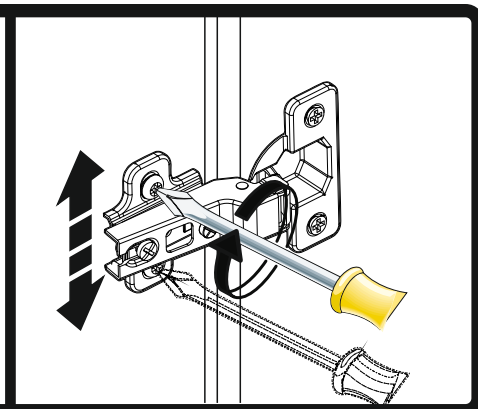
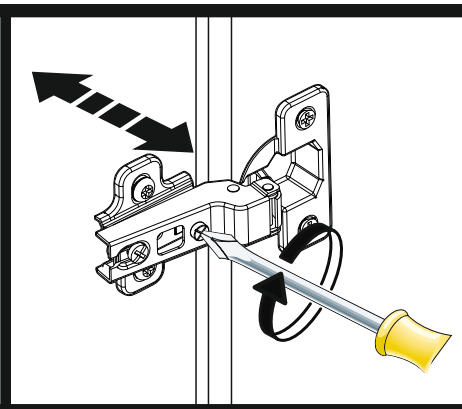
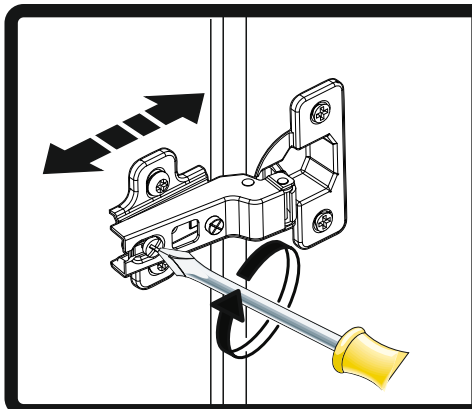
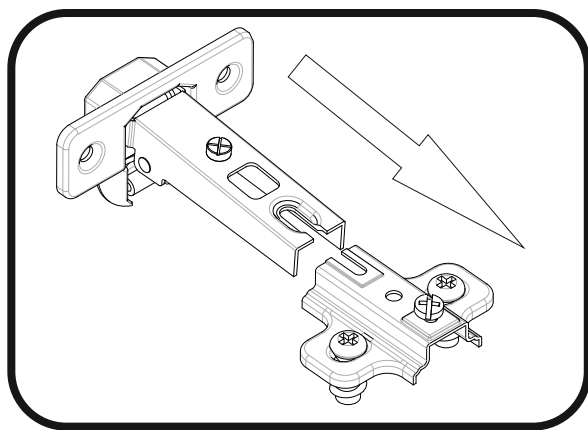
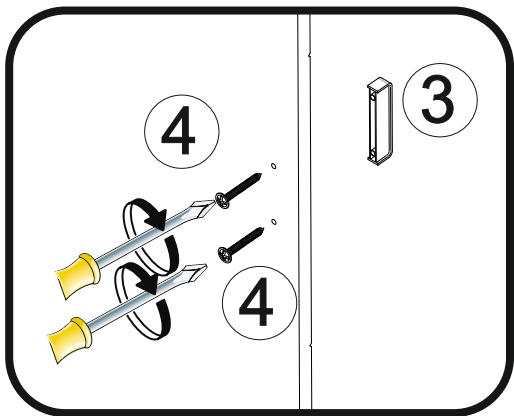
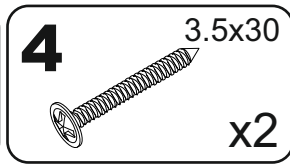
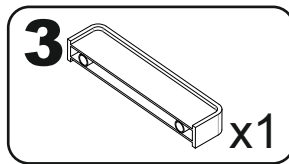
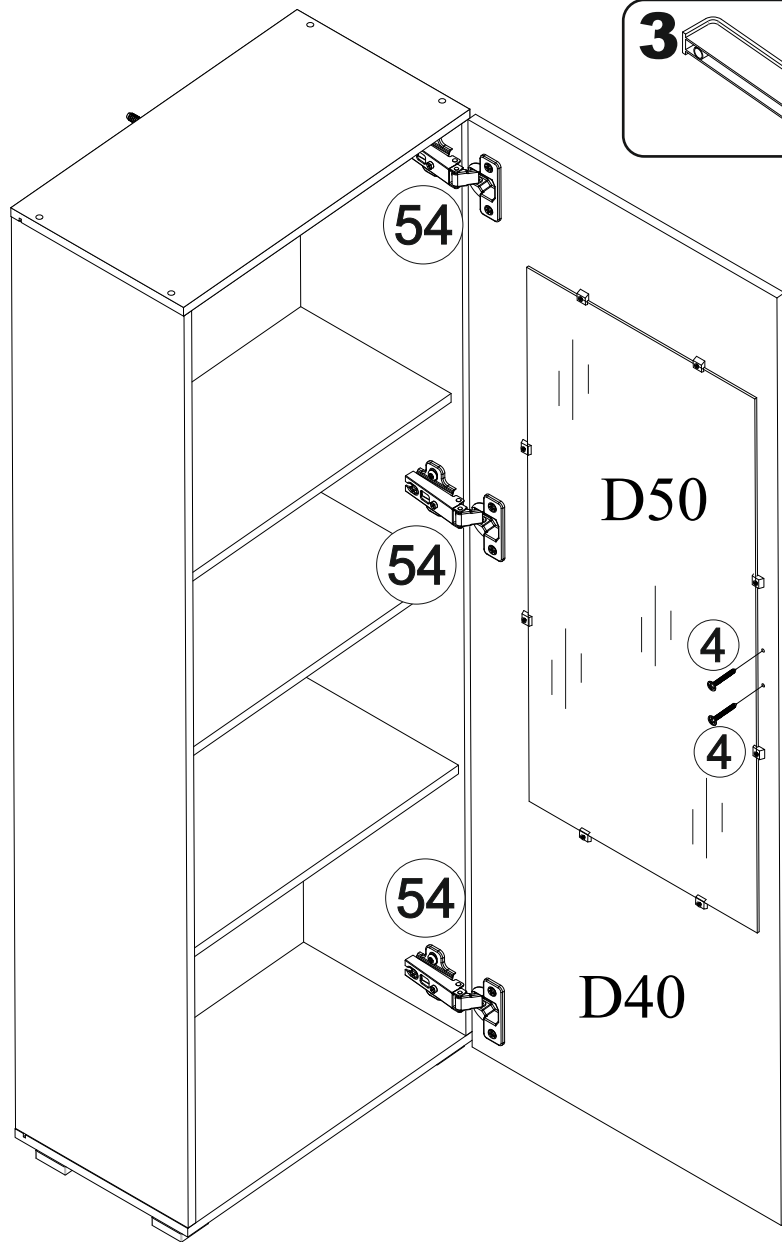
11



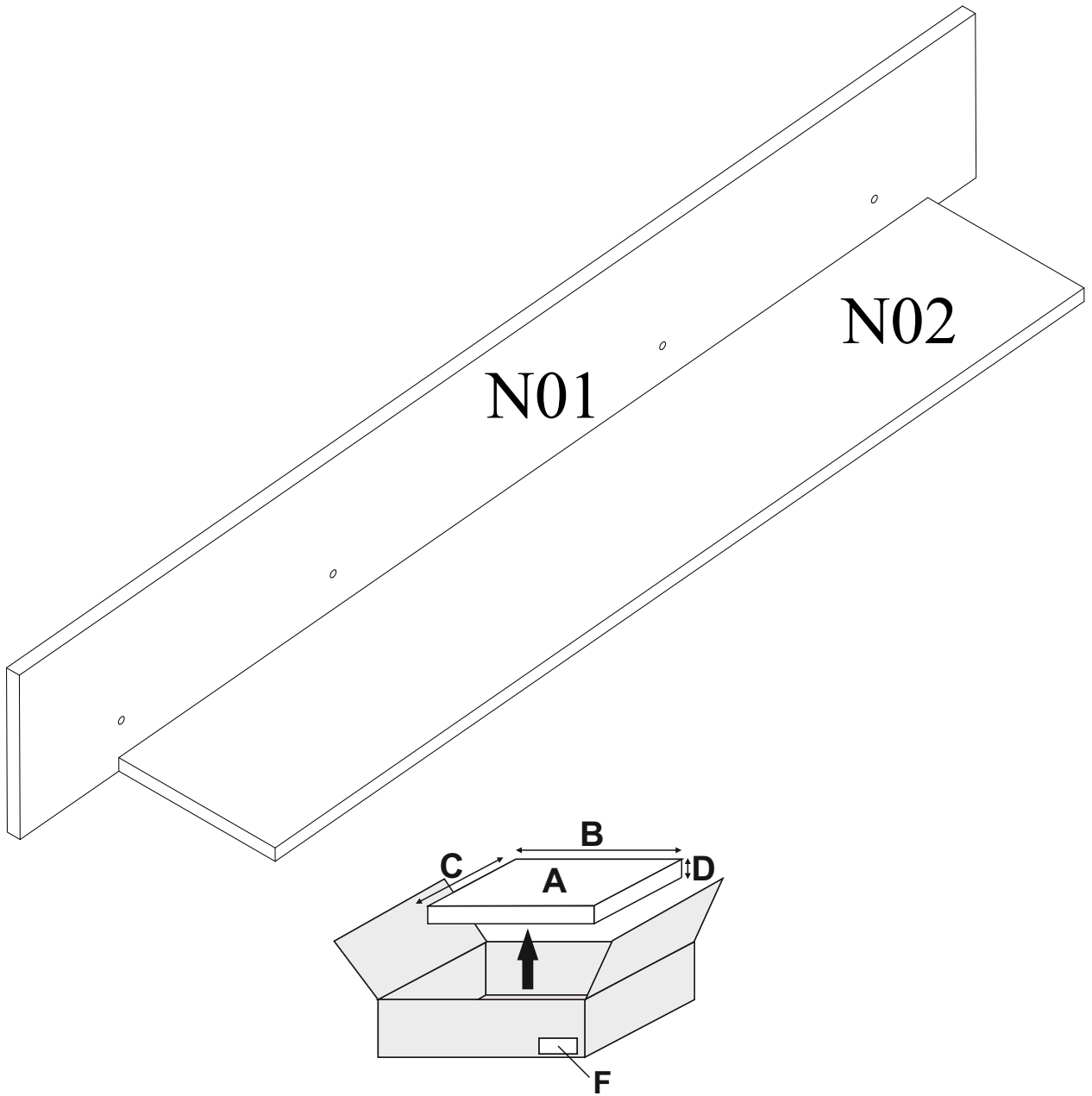
12



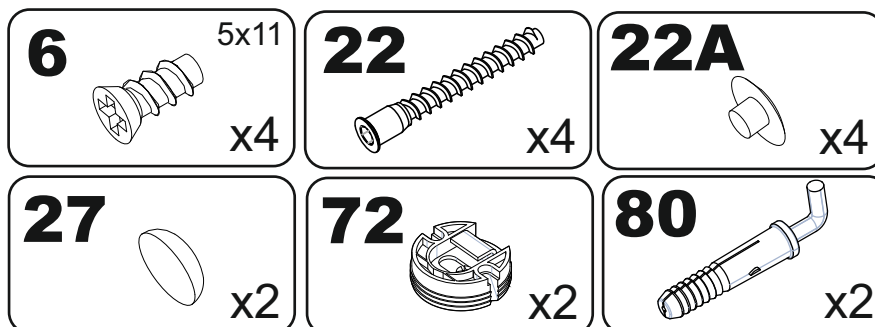
13



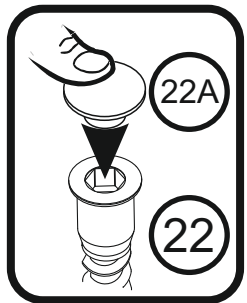
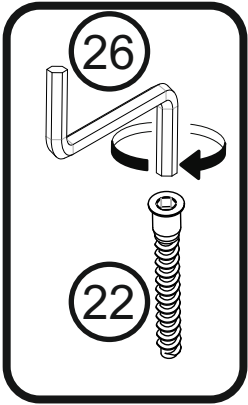
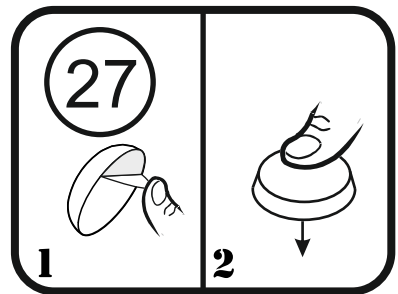
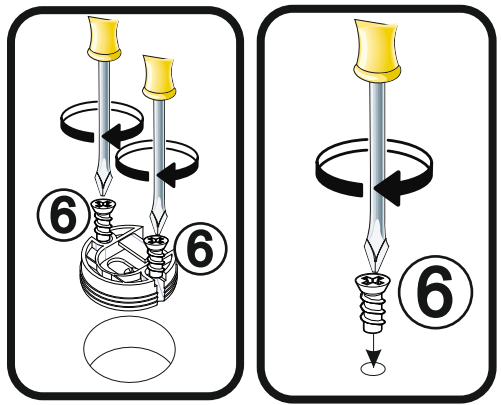
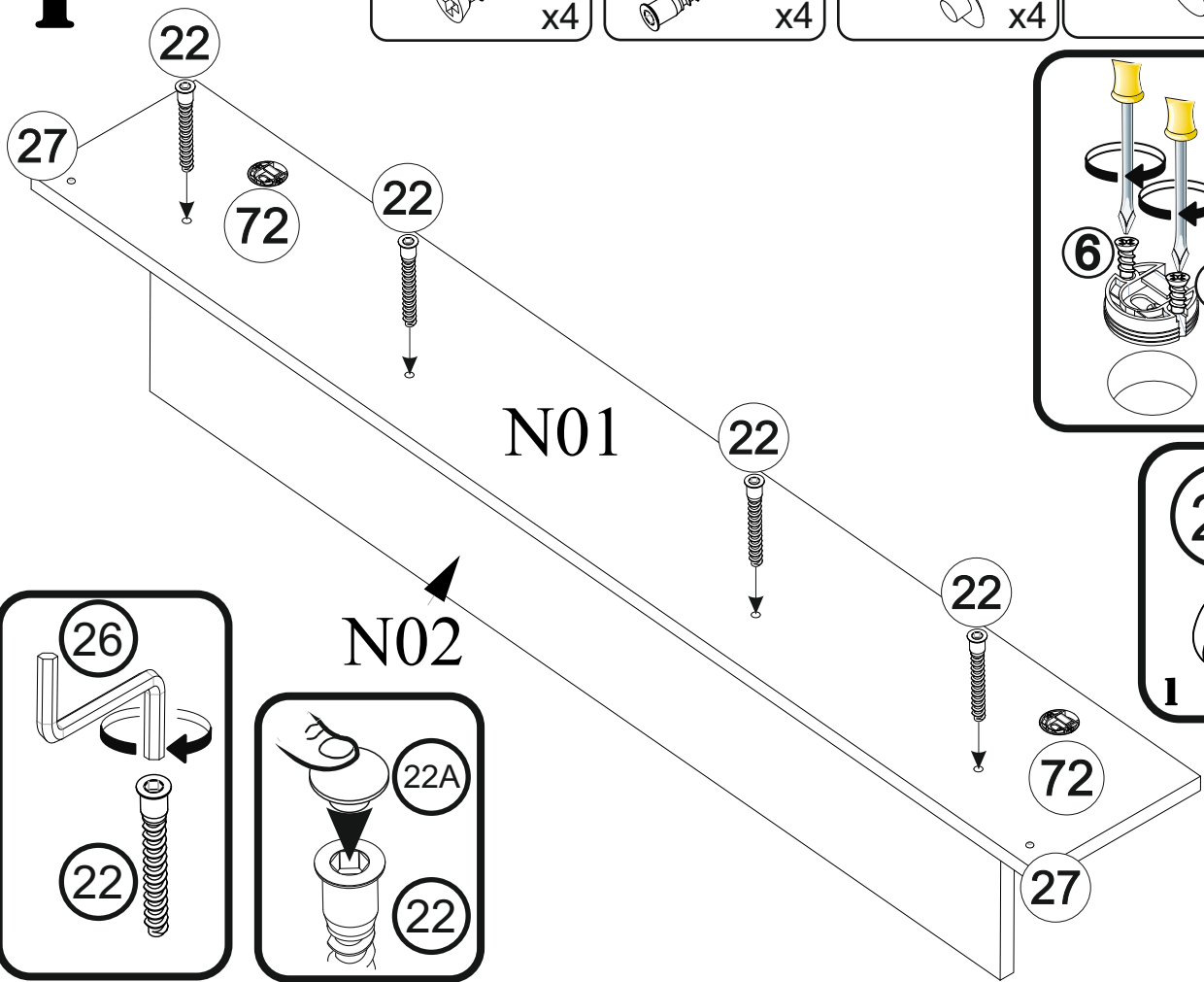
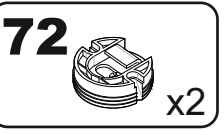
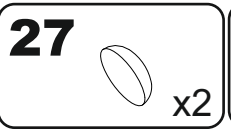
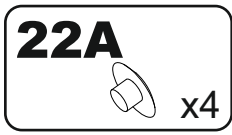
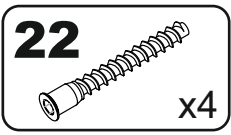
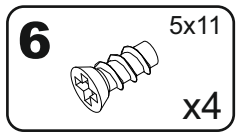
N



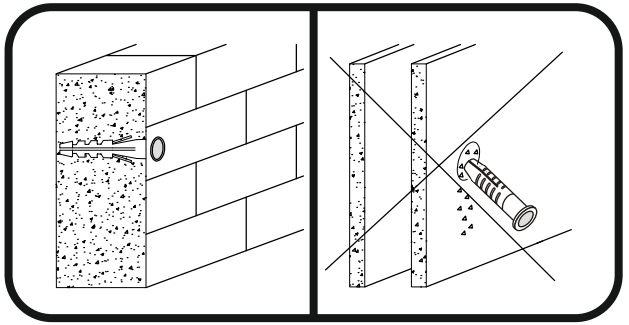
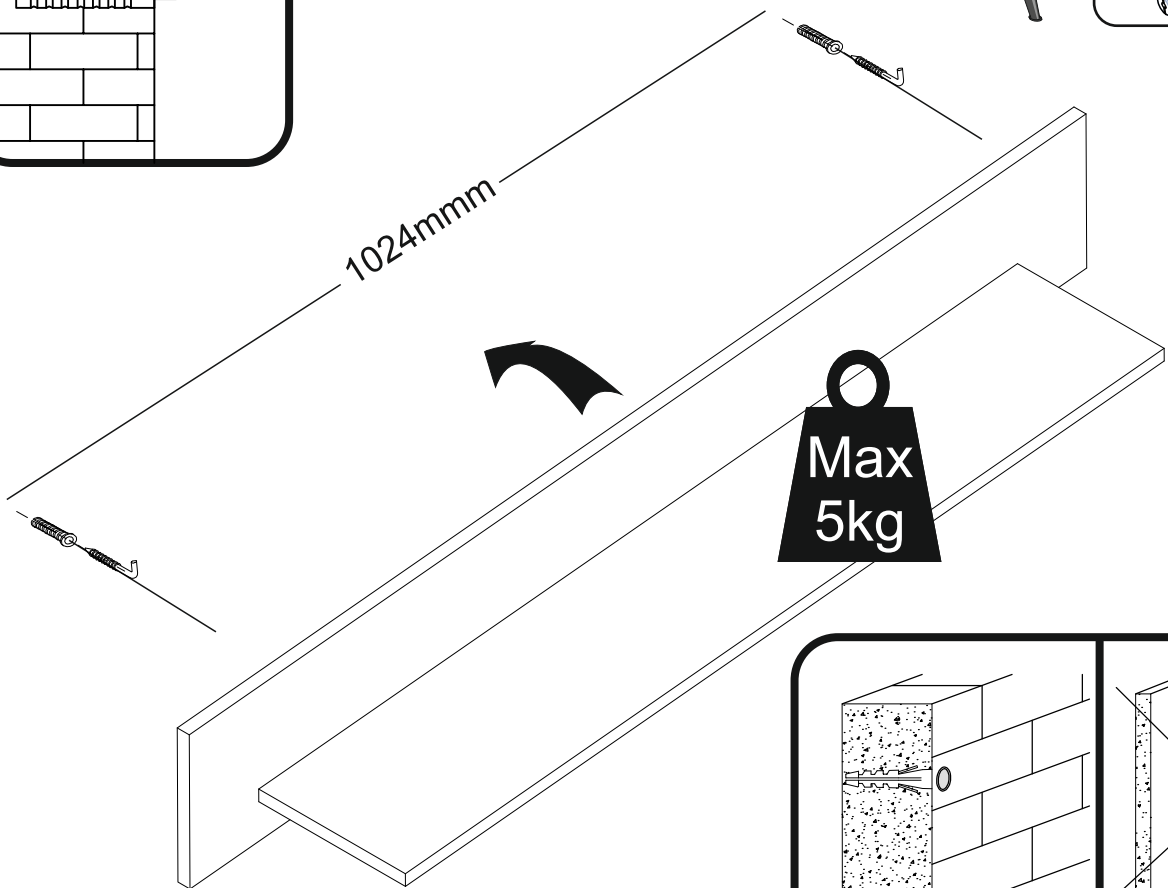
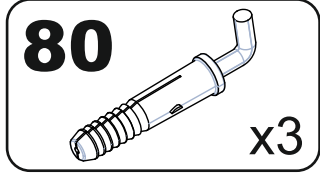
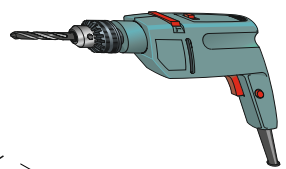
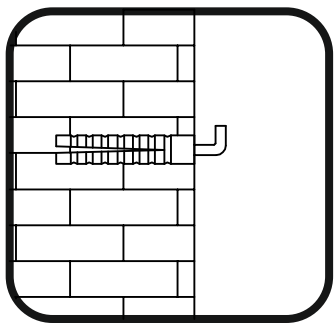
A	B (mm)	C (mm)	D (mm)	F
N01	1300	195	16	1 x/x
N02	1100	195	16	1 x/x

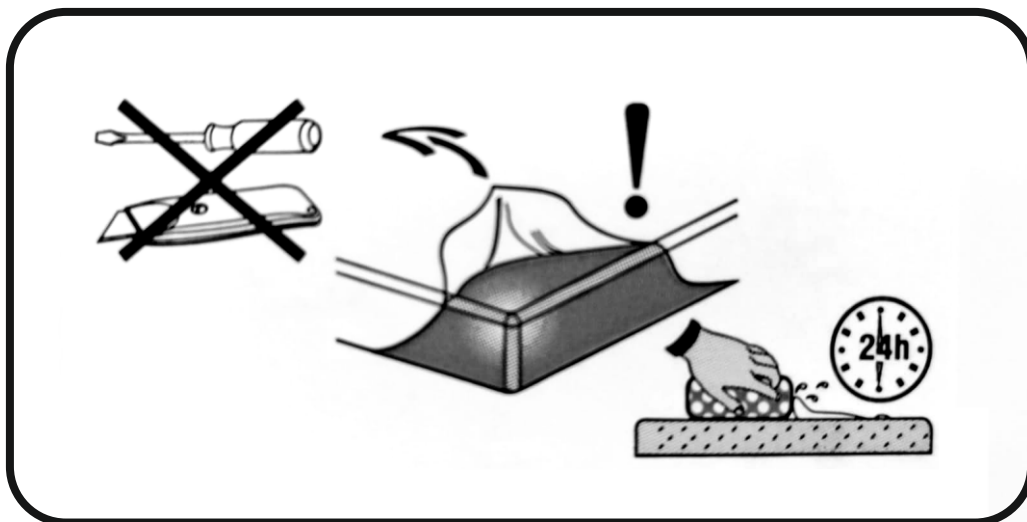
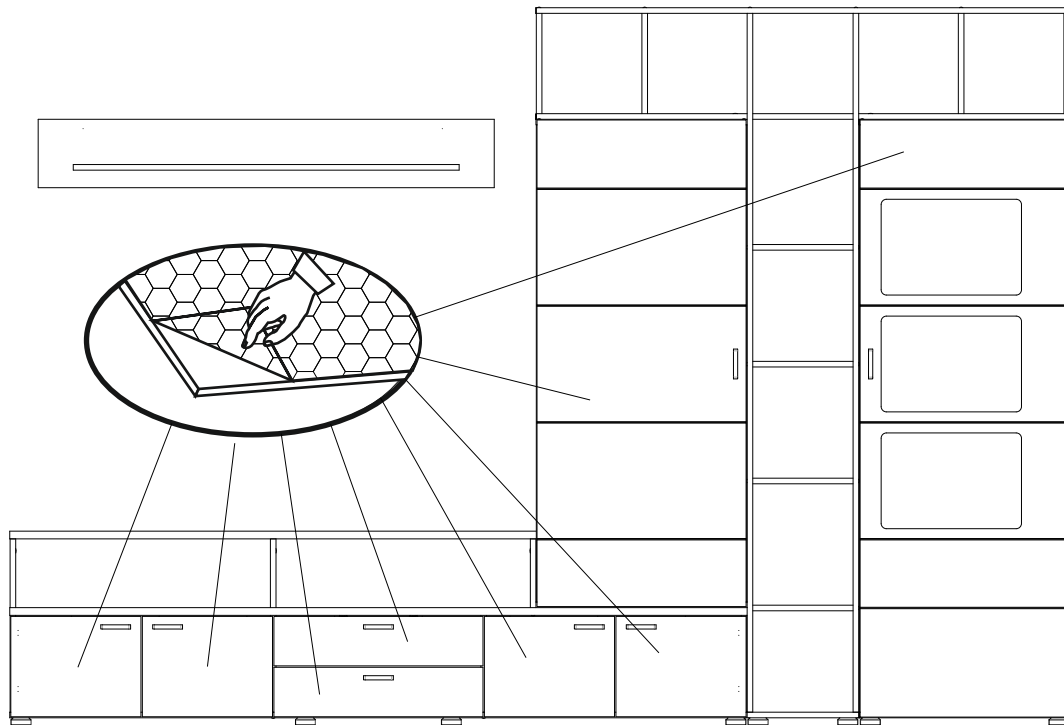


1



2





OPTION

Möbel Name:

SKYLIGHT 3

89013

Hergestellt im:

PPHU BOMA
Kazimierzowo 3c
82-300 Elblag
Polen

Hergestellt für:

BEGA GRUPPE
Pyromonter Straße 78
D - 32676 Lügde

