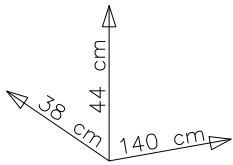
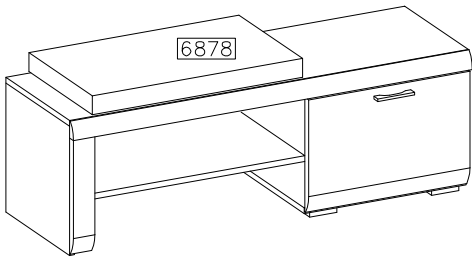
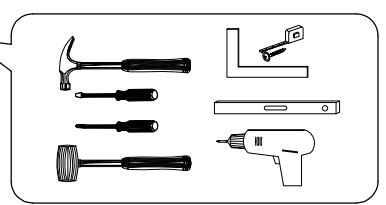
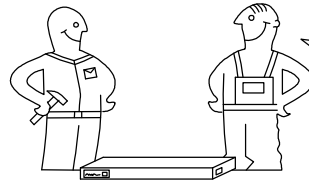
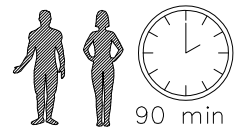
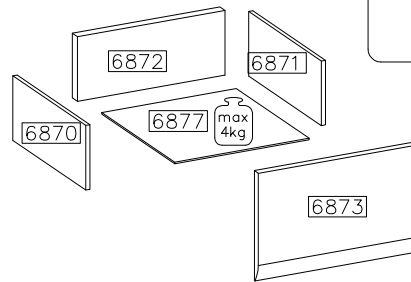
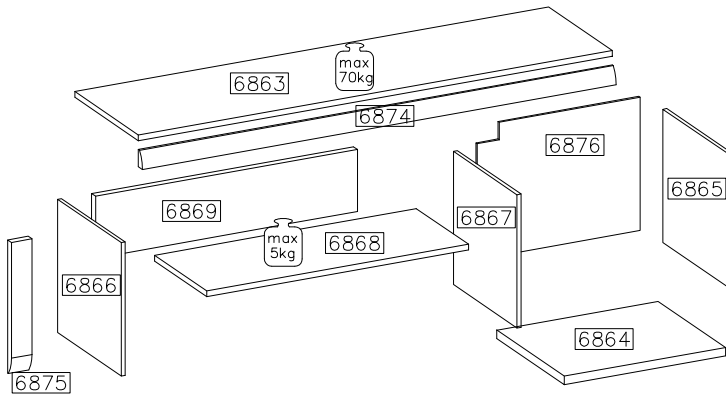
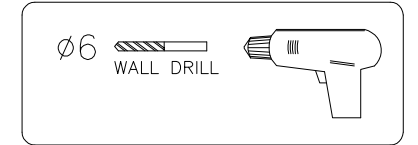
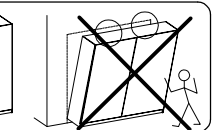
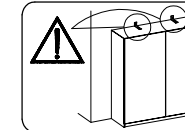
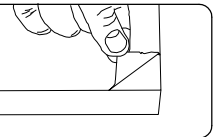
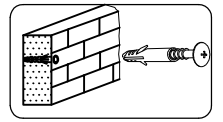
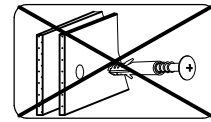
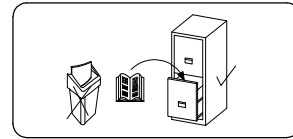
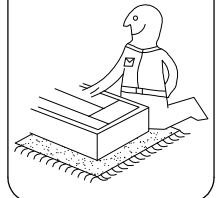
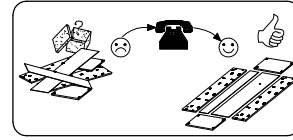
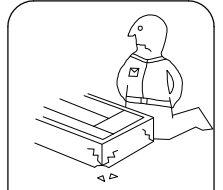
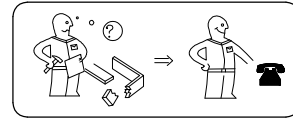


WIEN

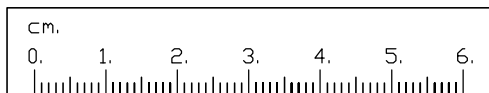
3Z A4 HH 61


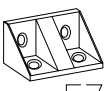



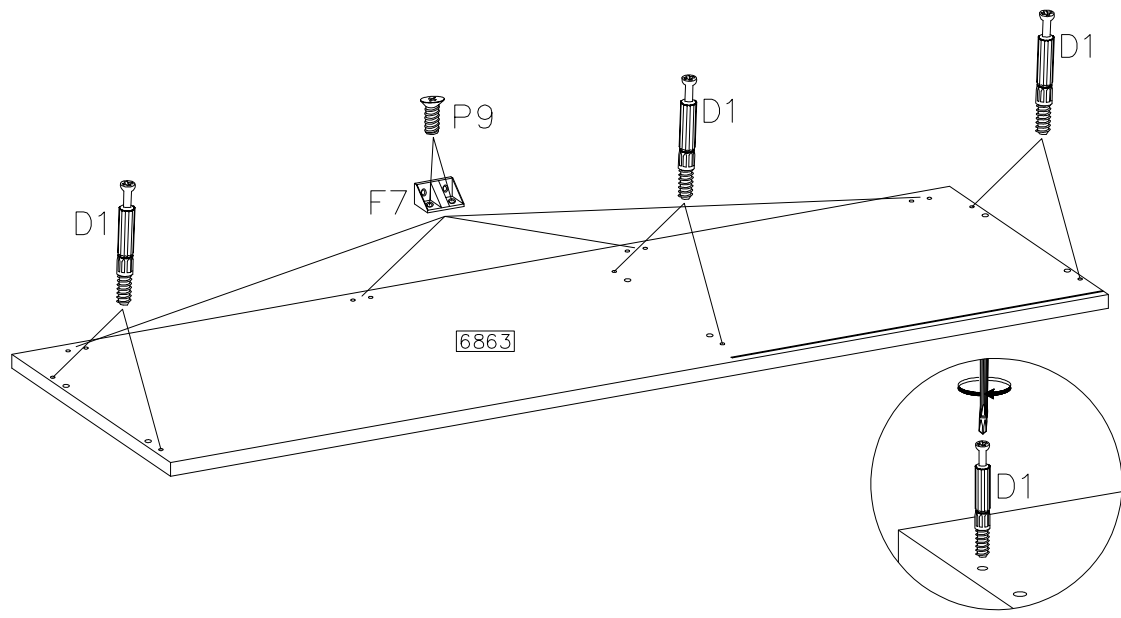
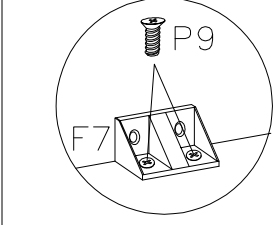
#	ART. NR	L	W	T	Q	Col.No
1	6863	1400	380	16	1	1
2	6864	550	380	16	1	1
3	6865	384	380	16	1	1
4	6866	415	380	16	1	1
5	6867	384	380	16	1	1
6	6868	834	360	16	1	1
7	6869	834	220	16	1	1
8	6870	350	190	16	1	1
9	6871	350	190	16	1	1
10	6872	476	170	16	1	1
11	6873	546	328	18	1	1
12	6874	1400	80	18	1	1
13	6875	351	80	18	1	1
14	6876	533	359	2,5	1	1
15	6877	491	358	2,5	1	1
16	6878	800	380	-	1	2




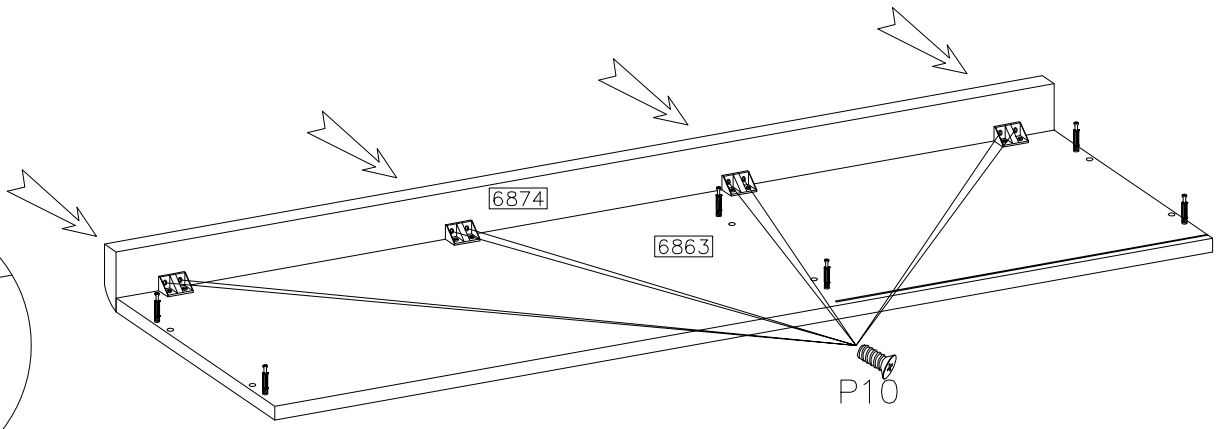
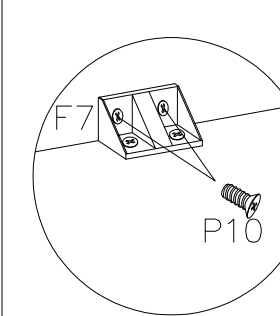
A	B	C	D1	E	E1	F4	F7	L-350	PR1	F9
18	4	16	16	16	4	4	6	1KPL		2
L	N	O	P1	P4	P3	P7	P10	P9	R2	S1
4	1	1	6	1	16	2	12	16	2	1
			U	Z						
			4	1						

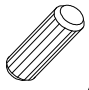


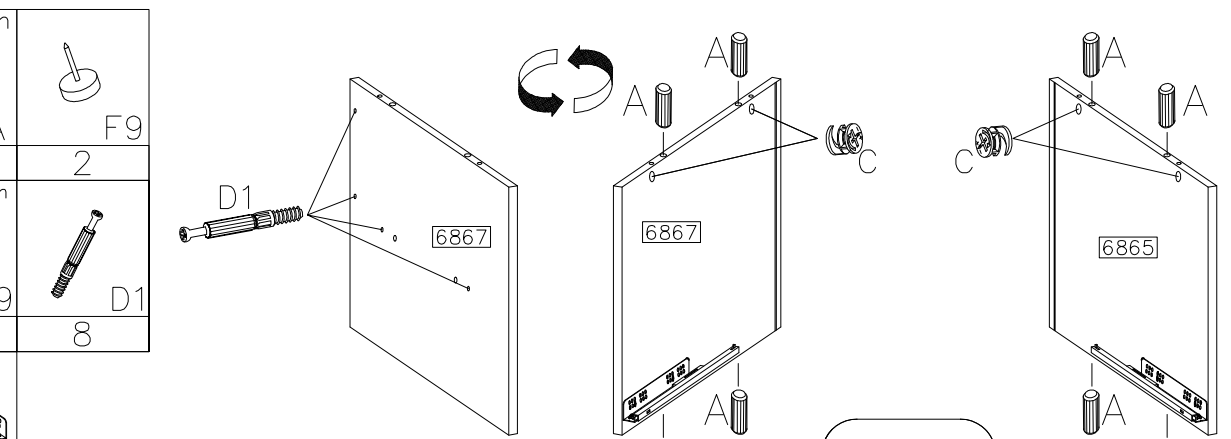
1		D1
	6	
	4	
		P9
	8	





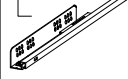
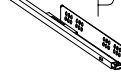
2	5.0x9mm	
		P10
	8	

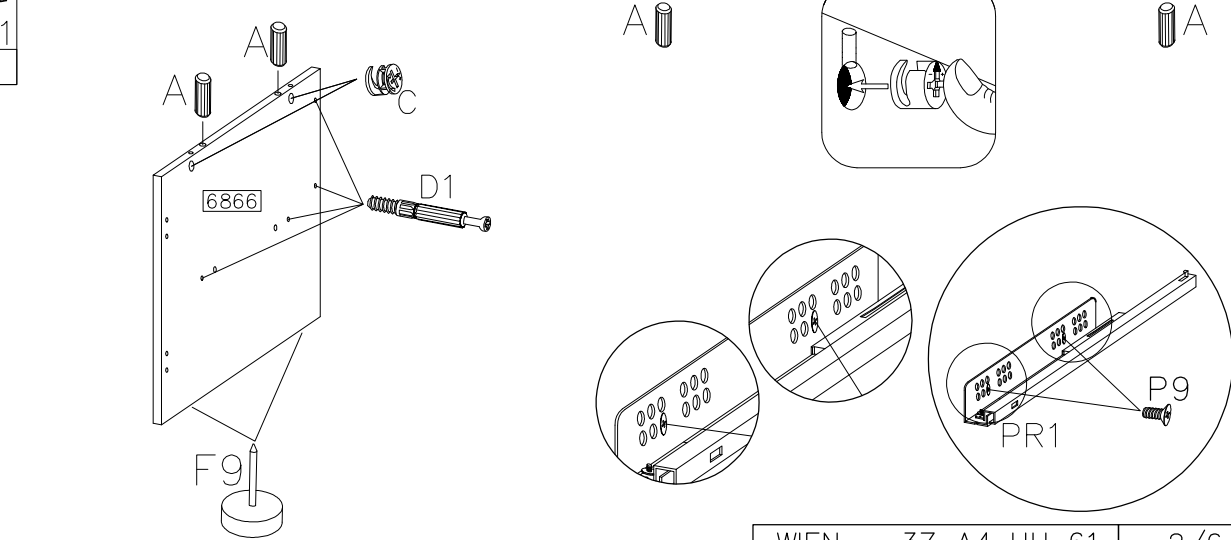
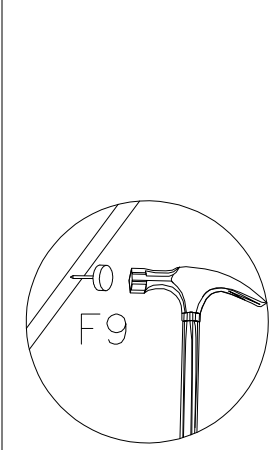


3	ø8x30mm	
		A
	10	



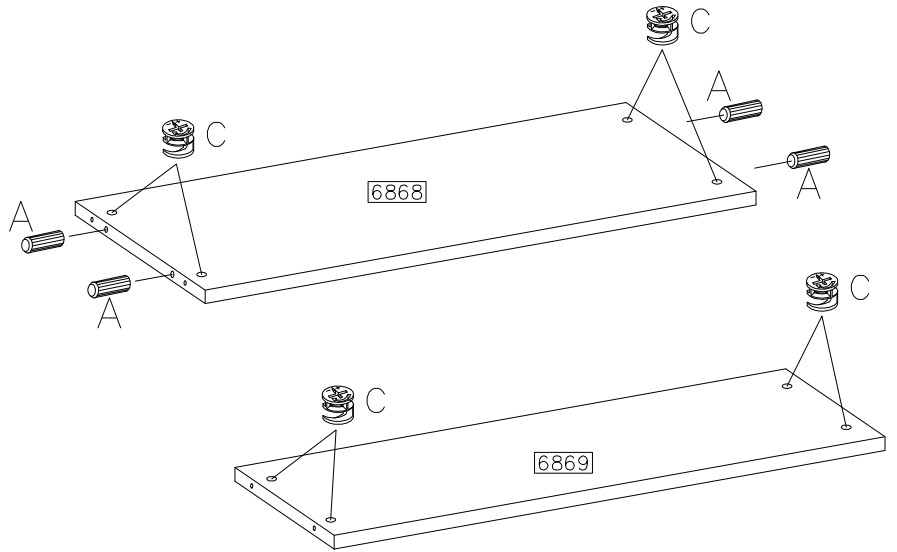
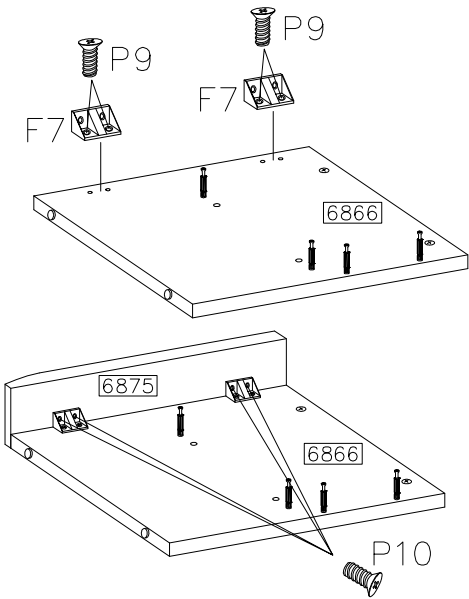
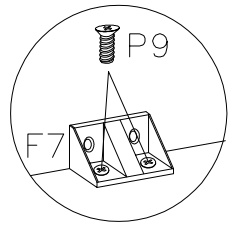
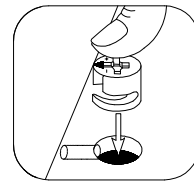
ø15/12mm	ø5.0x13mm	
		
6	8	8

L	P
	
L-350	PR1
1KPL	

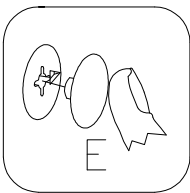
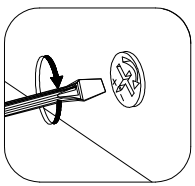
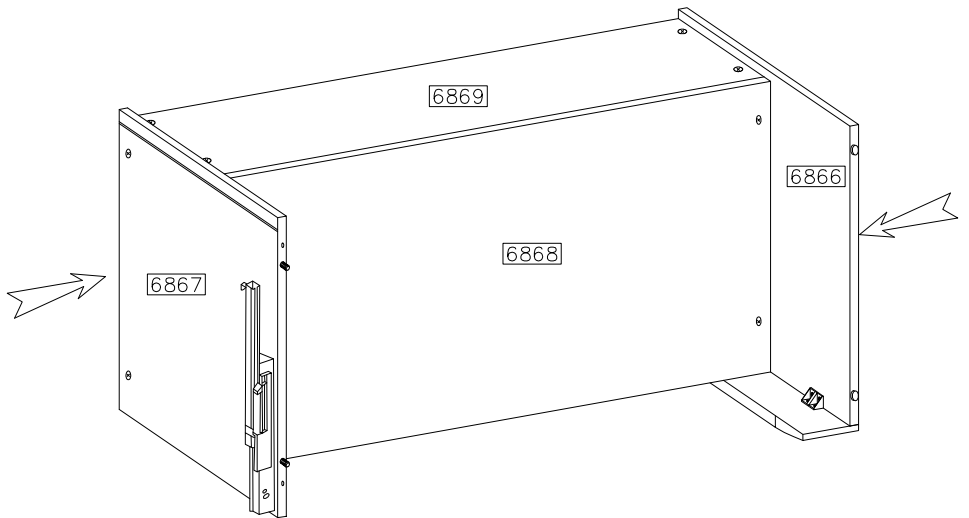
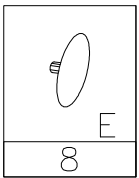


4

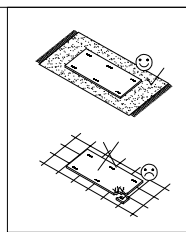
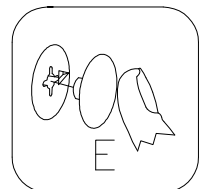
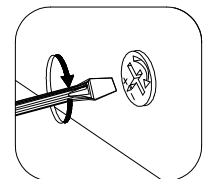
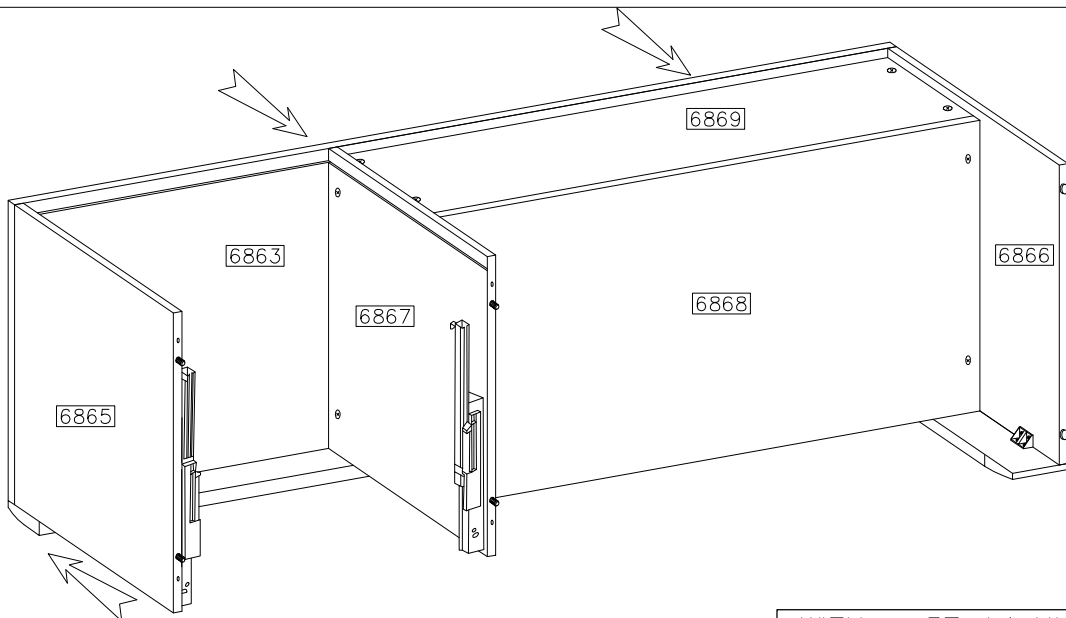
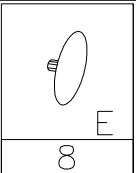
5.0x9mm P10 4	∅8x30mm A 4	F7 2	∅5.0x13mm P9 4	∅15/12mm C 8
---------------------	-------------------	---------	----------------------	--------------------



5



6



7



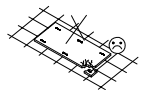
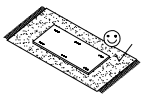
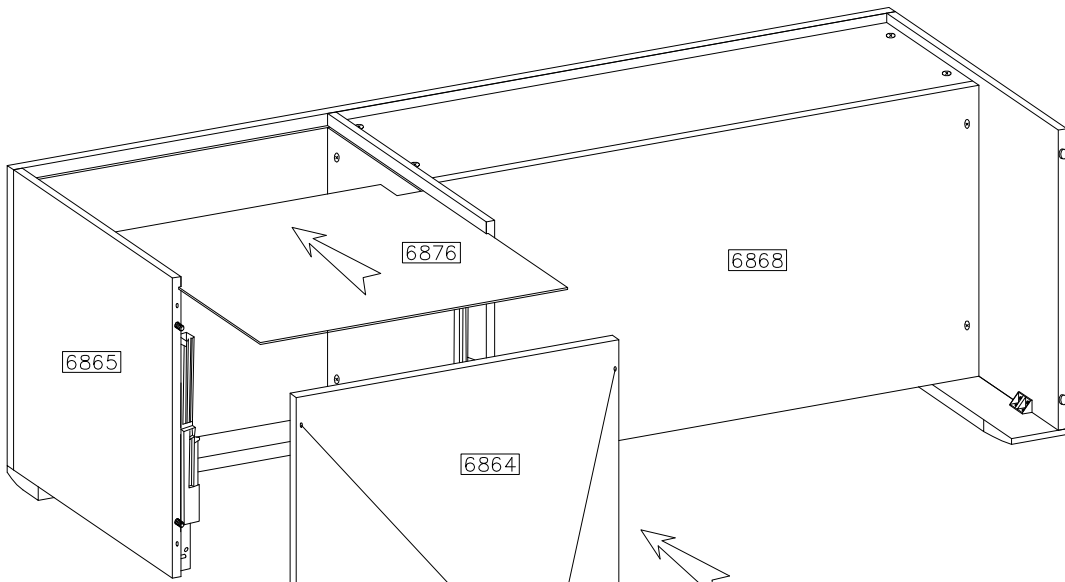
B

4

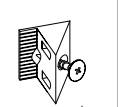
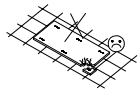
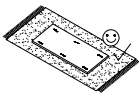


E1

4

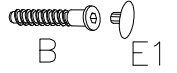


8



L

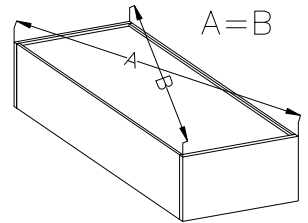
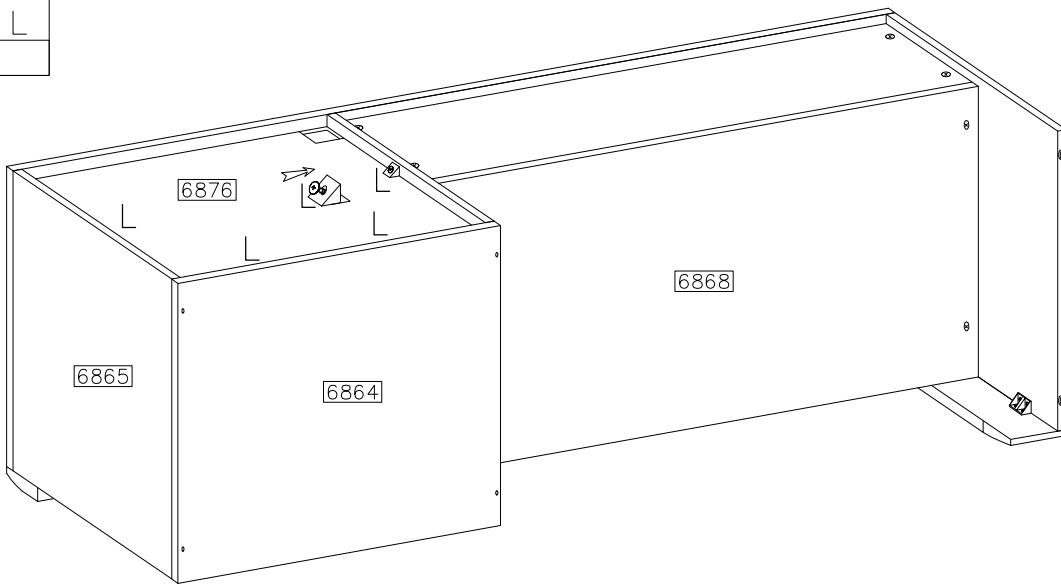
4



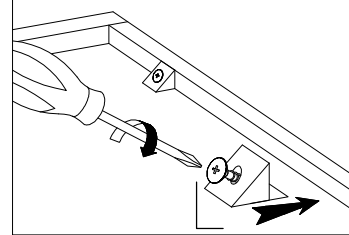
B



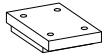
E1



A=B



9



F4

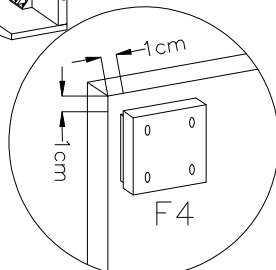
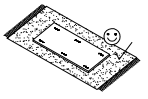
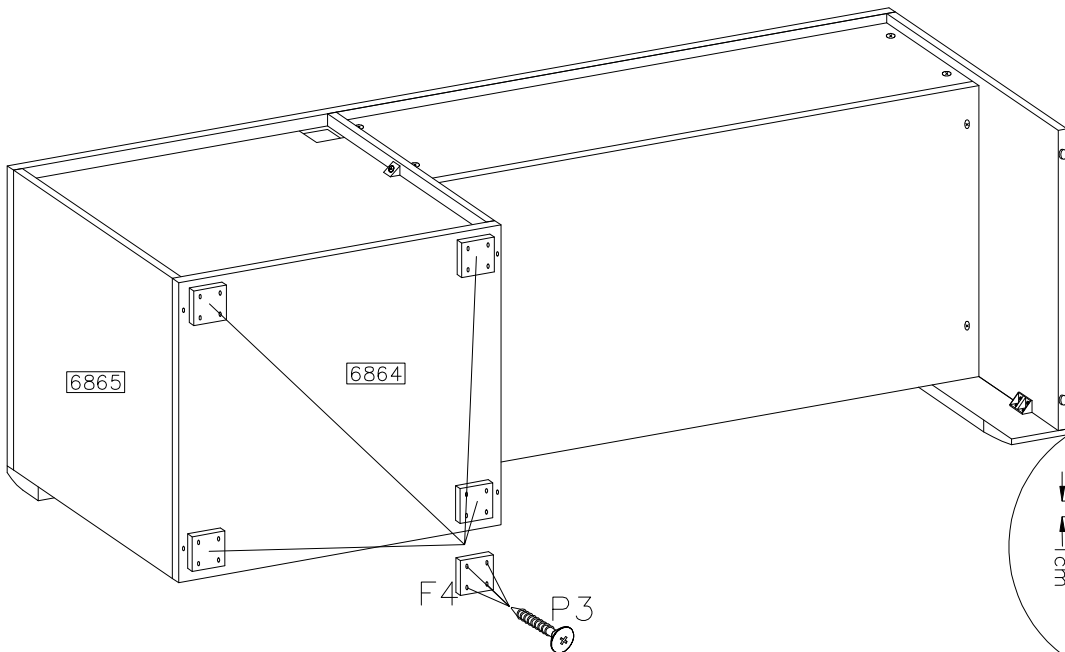
4

ø4.0x30mm



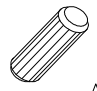


P3

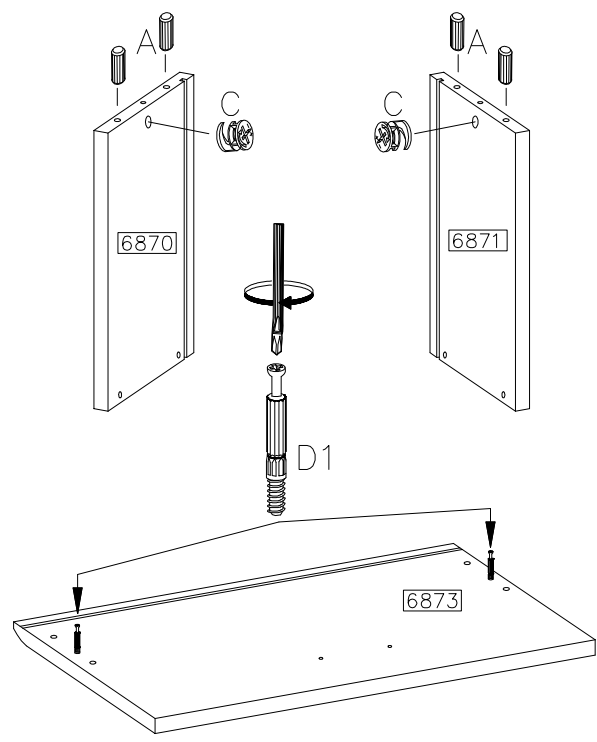
16




1cm
1cm
F4

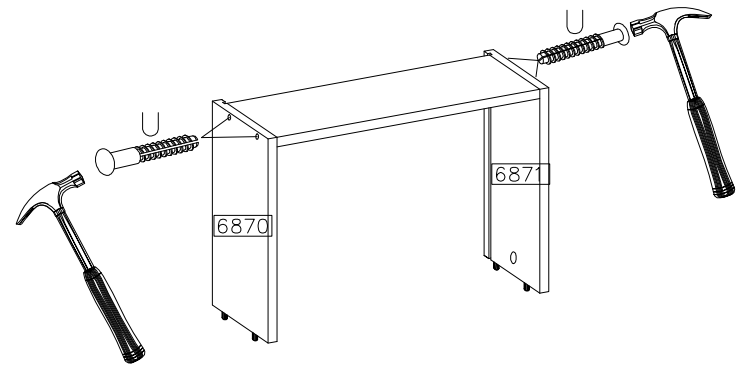
10

- | |
|--|
| ø8x30mm |
|  |
| A |
| 4 |
- | |
|--|
| ø15/12mm |
|  |
| C |
| 2 |
- | |
|--|
|  |
| D1 |
| 2 |




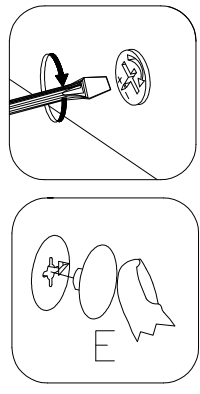
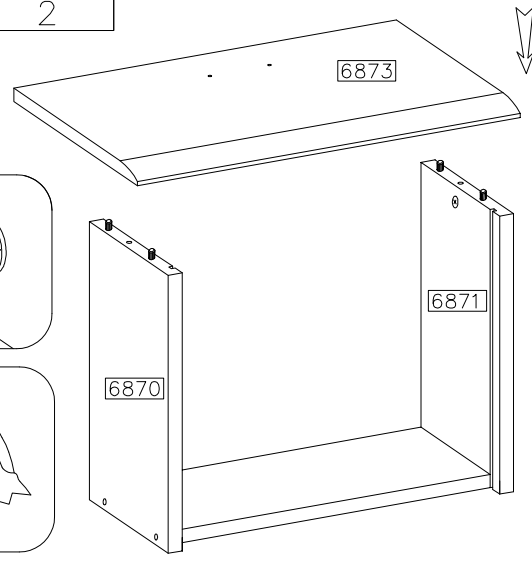
11

- | |
|---|
|  |
| U |
| 4 |




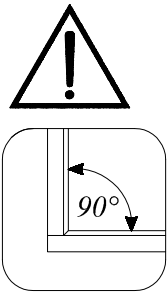
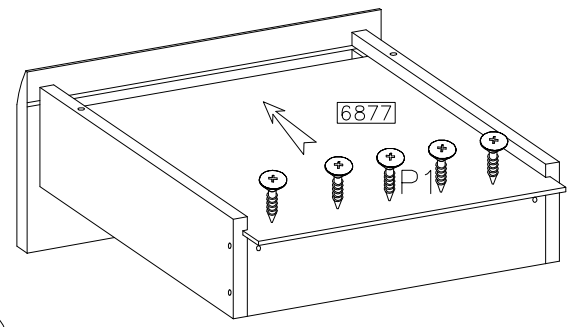
12

- | |
|---|
|  |
| E |
| 2 |





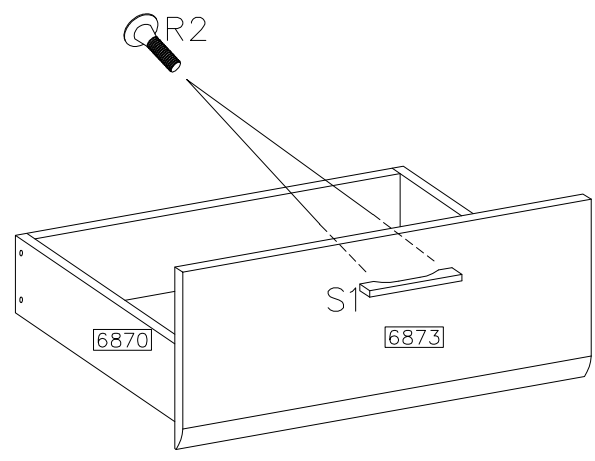
13

- | |
|--|
| ø3.0x16mm |
|  |
| P1 |
| 6 |

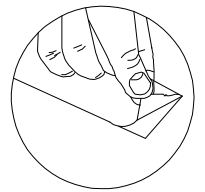
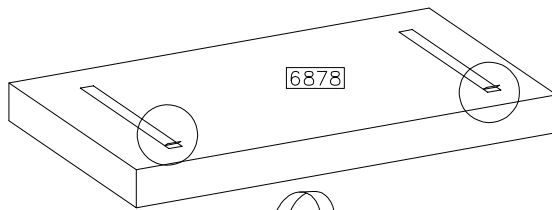
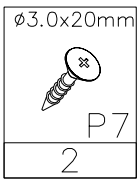


14

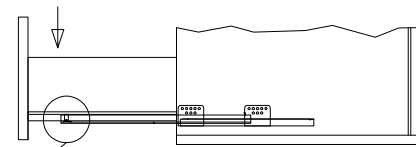
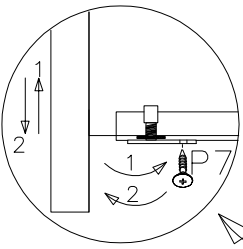
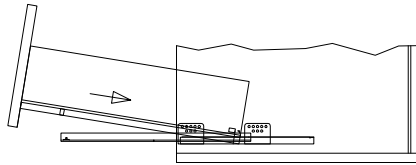
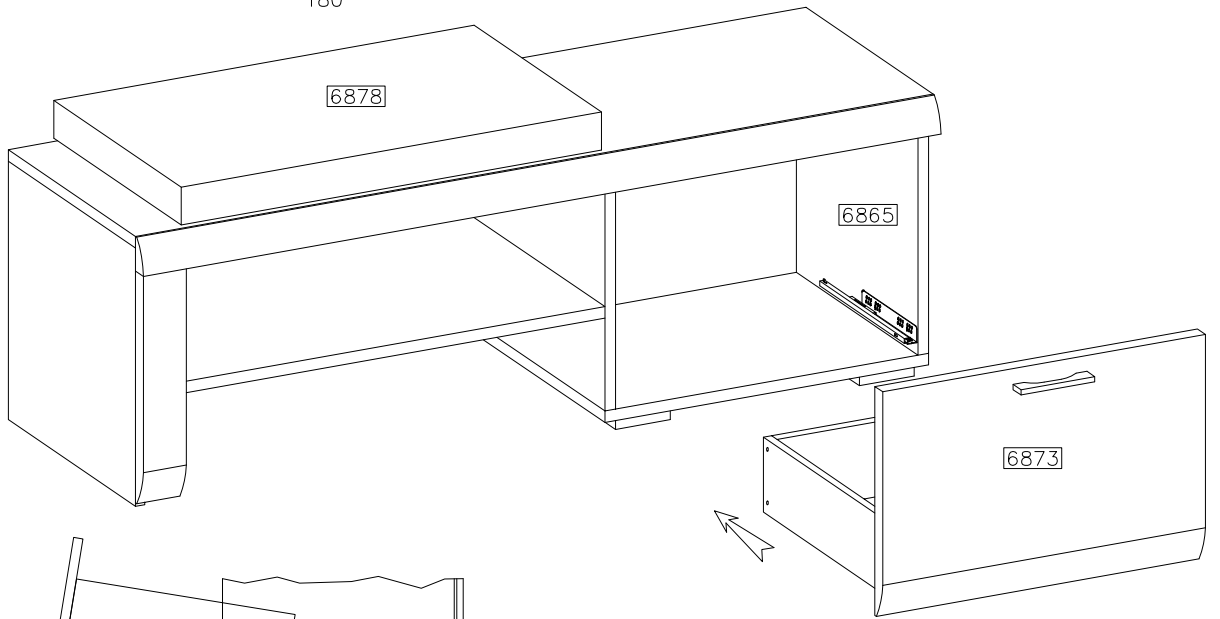
- | | |
|---|---|
|  | M4.0x22mm |
| S1 |  |
| 1 | R2 |



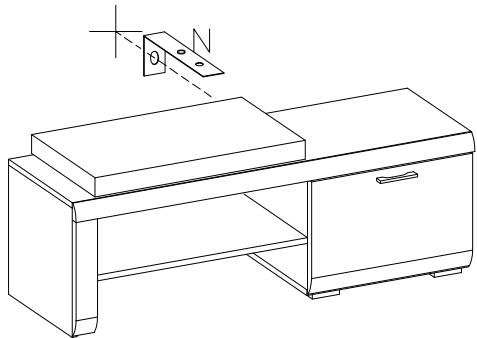
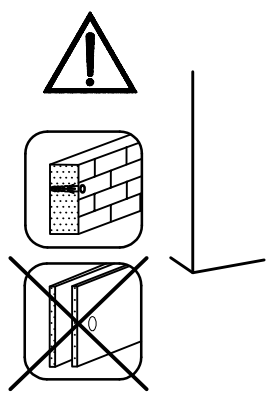
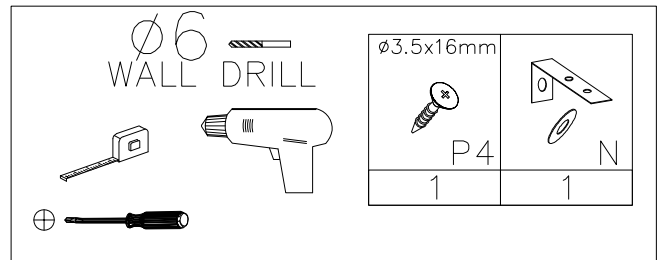
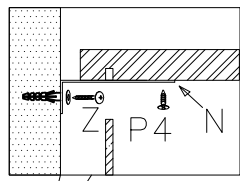
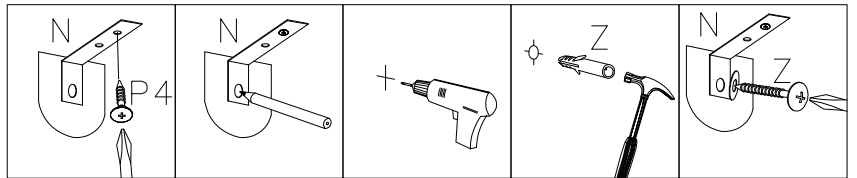
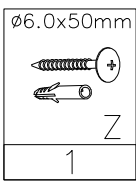
15



180°



16



WIEN

3Z A4 HH 61

